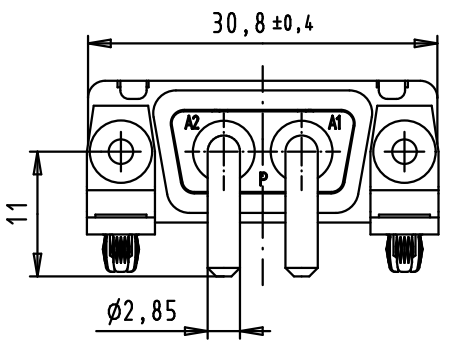
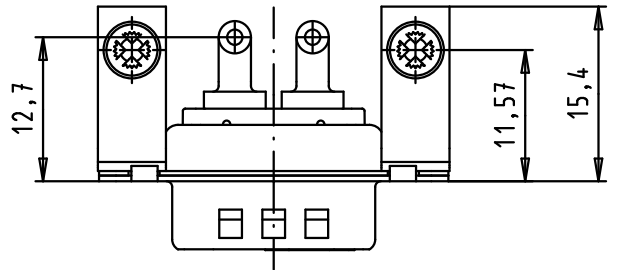
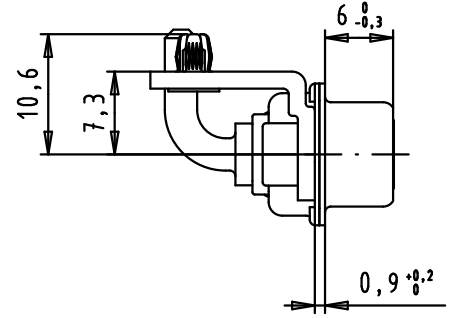
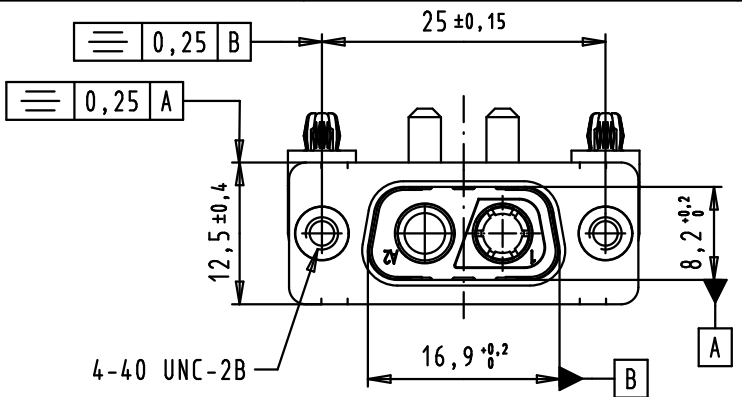
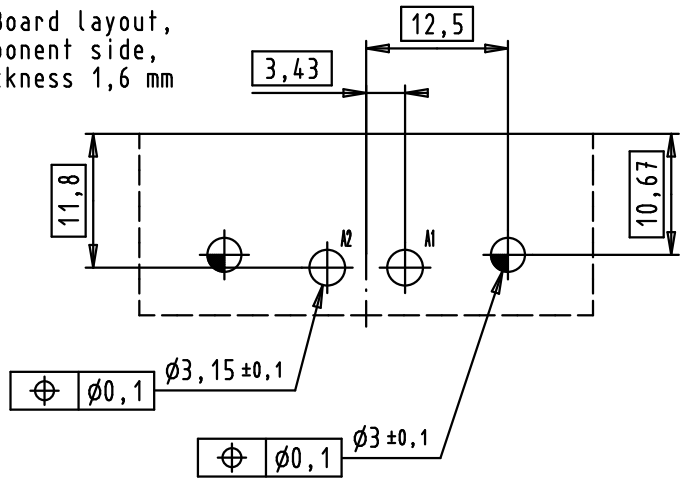


5 4 3 2 1



PC-Board layout, component side, thickness 1,6 mm



D
C
B
A

09 69 100 9084	S4
Part number	Performance level

			Dat.	Name		D-Sub mixed, 2W2, male, angled, 20A power contacts, rear nuts and board locks	Maßstab/ Scale 1,5:1
		Detail.	12/04/11	BH			
		Insp.	12/04/11	JB			
		Stand.					
EC03111			HARTING EURL F-95972 Paris			TB 09 69 100 9084	Blatt/ Page 1 / 1
Mod.	Dat.	Name					