

Plug - with TE screw terminals, for harsh applications



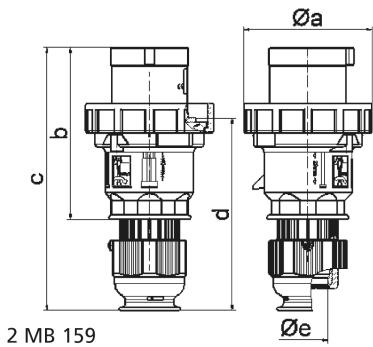
Product description	
BALS-Prd.-Nr	21330
EAN	4024941213301
Product category	TE plug
Current	63A
Number of poles	3p
Arrangement of phases	2P+PE
Position of earth contact	7 h
Voltage	480 - 500V~
Frequency	50/60Hz

Product description	
Protection degree	IP67
Colour code	black RAL 9005
Colour of appliance	Pusher grey RAL 7035, Collar black RAL 9005, Bayonet ring grey RAL 7035, Cable gland grey RAL 7035, Housing cover black RAL 9005
Connection design	screw terminal as box terminal
Maximum conductor size	16,0 qmm
Cable entry	Cable gland
Height	234mm
Width	114mm
Depth	114mm
Material of enclosure	Polyamide
Contacts	The contact carrier is made of high temperature resistant material, the contacts are brass nickel plated

Additional technical properties	
	For cable diameter from 16 up to max. 36 mm, Screwless housing connection, Multi-Grip cable gland with gasket, integrated cable clamp and additional water evacuation openings

Logistics data	
Weight/pcs	0.61 kg / Piece
Packaging	Carton
Content amount	5 ST

Logistics data	
EAN	4024941832243
Length	325 mm
Width	217 mm
Height	210 mm
Weight	3.252 kg
Volume	13,588.4 ccm



Ampere	63	63	63			
Polzahl	3	4	5			
a ø	113,5	113,5	113,5			
b	153,0	153,0	153,0			
c	233,0	233,0	233,0			
d	171,0	171,0	171,0			
e ø	36,0	36,0	36,0			
Leiter mm ² min	6	6	6			
Leiter mm ² max	16	16	16			