

Wall mounting socket outlet - with external fixing



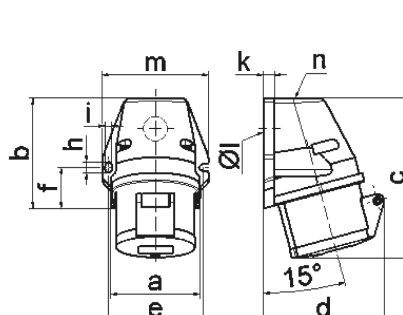
Product description	
BALS-Prd.-Nr	11836
EAN	4024941118361
product category (PG)	Wall mounting socket outlet
current (A)	32A
number of poles (P99)	4p
number of poles (P)	3P+PE
position of earth contact (H)	10 h
voltage (V)	> 50V
frequency (HZ)	100 up to 300Hz

Product description	
protection degree (SA)	IP44
colour code 1 (KF1)	green RAL 6002
Colour of appliance	Hinged lid green RAL 6002, Housing bottom grey RAL 7035, Housing top grey RAL 7035, Collar green RAL 6002
connection design (AT)	with screw terminal
maximum conductor size (LQ)	10,0 qmm
cable entry (KE)	top entry M25
Height	143mm
Width	94mm
Depth	103mm
dimension of enclosure (GG)	92x94 mm (HxW)
material of enclosure (GM)	Polyamide
contact	The contact carrier is made of polyamide, The contacts are brass

Additional technical properties	
	The cable entry is one at top open and one at bottom closed

Logistics data	
Weight/pcs	0.29 kg / Piece
Packaging	Bag
Content amount	1 ST

Logistics data	
EAN	4024941118361
Length	103 mm
Width	94 mm
Height	143 mm
Weight	0.291 kg
Volume	1,384.526 ccm
Packaging	Carton
Content amount	10 ST
EAN	4024941826754
Length	325 mm
Width	217 mm
Height	210 mm
Weight	3.106 kg
Volume	13,588.4 ccm



1 MB 19

Ampere Polzahl	16 3	16 4	16 5	32 3	32 4	32 5
a	59,5	72,4	72,4	79,1	79,1	79,1
b	90,0	90,0	90,0	92,0	92,0	92,0
c	130,0	130,0	131,0	142,0	142,0	142,0
d	85,0	96,0	98,0	103,0	103,0	106,0
e	62,0	77,0	77,0	84,0	84,0	84,0
f	33,5	33,5	33,5	30,0	30,0	30,0
h	9,0	9,0	9,0	9,0	9,0	9,0
i	5,5	5,5	5,5	5,5	5,5	5,5
k	8,0	9,0	9,0	9,0	9,0	9,0
l ø	21,0	21,0	21,0	21,0	21,0	21,0
m	72,0	87,0	87,0	94,0	94,0	94,0
n	M20	M25	M25	M25	M25	M25
Leiter mm ² min	1,5	1,5	1,5	2,5	2,5	2,5
Leiter mm ² max	4	4	4	10	10	10