

1

2

3

4

A

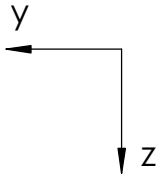
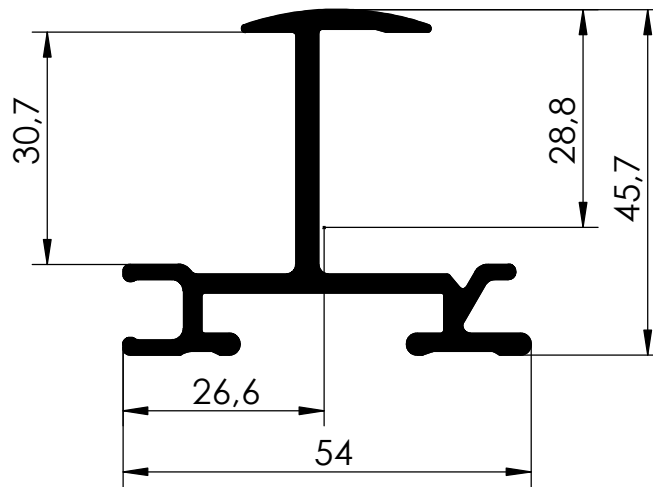
B

C

D

E

F



Characteristics for calculation:

$$A = 3,81 \text{ cm}^2$$

$$I_y = 8,60 \text{ cm}^4$$

$$I_z = 6,67 \text{ cm}^4$$

$$W_y = 2,99 \text{ cm}^3$$

$$W_z = 2,51 \text{ cm}^3$$



K2 Systems GmbH
Industriestr. 18
71272 Renningen
07159/42059-0

Designation:

Data sheet
InsertionRail 30

	Name	Date	Material:	Item no.:	A4
Designed	B. Koch	02.09.2020	EN AW 6063 T66	2004033	
Approved	S. Frey	09.09.2020	Surface: mill finish	Drawing no.:	All dimensions in mm
Last change			Weight: ca. 1028 g/m	Scale: 1:1	Sheet 1 of 1

This drawing is the sole property of K2 Systems GmbH. It is protected by copyright and may only be copied, reproduced or distributed to a third party with explicit permission!