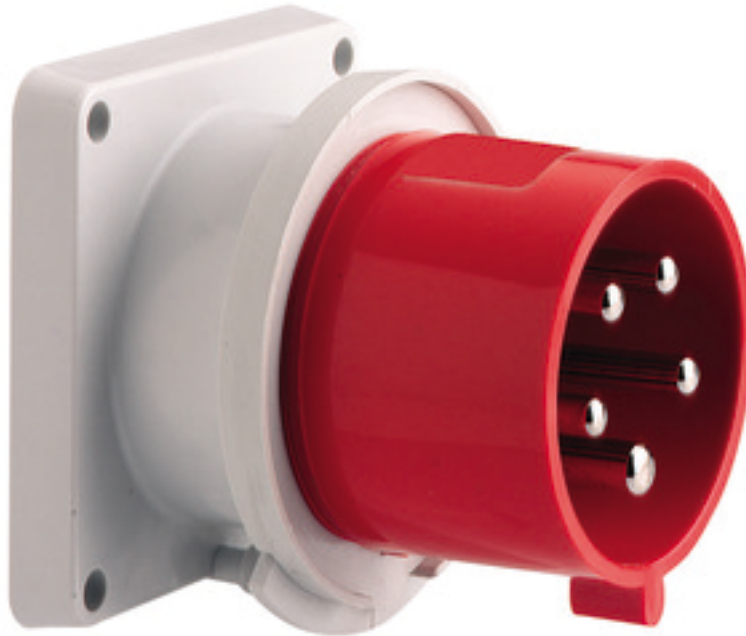


## Panel mounting appliance inlet, straight - flange 85x85, fixing centers 70x70

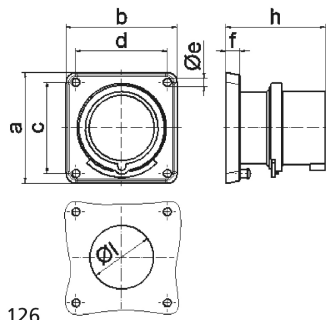


| Product description       |  |
|---------------------------|--|
| BALS-Prd.-Nr              | 28102                                    |
| EAN                       | 4024941281027                            |
| Product category          | Panel mounting appliance inlet, straight |
| Current                   | 16A                                      |
| Number of poles           | 5p                                       |
| Arrangement of phases     | 3p+N+PE                                  |
| Position of earth contact | 6 h                                      |
| Voltage                   | 200/346 - 240/415V~                      |

| Product description            |  |
|--------------------------------|--|
| Frequency                      | 50/60Hz  |
| Protection degree              | IP44   |
| Colour code                    | red RAL 3000   |
| Colour of appliance            | Collar red RAL 3000, Enclosure grey RAL 7035                     |
| Connection design              | with screw terminal  |
| Maximum conductor size         | 2,5 qmm  |
| Cable entry                    | other  |
| Height                         | 85mm   |
| Width                          | 85mm   |
| Depth                          | 77mm   |
| Flange size vertical in mm     | 85mm   |
| Flange size horizontal in mm   | 85mm   |
| Drill hole dist. vertical mm   | 70mm   |
| Drill hole dist. horizontal mm | 70mm   |
| Material of enclosure          | Polyamide  |
| Contacts                       | The contact carrier is made of polyamide, The contacts are brass |

| Additional technical properties |   |
|---------------------------------|---|
|                                 | A retaining device to match the hinged cover of the connector must be provided to ensure the latching feature |

| Logistics data |                  |
|----------------|------------------|
| Weight/pcs     | 0.183 kg / Piece |
| Packaging      | Bag              |
| Content amount | 1 ST             |
| EAN            | 4024941281027    |
| Length         | 77 mm            |
| Width          | 85 mm            |
| Height         | 85 mm            |
| Weight         | 0.184 kg         |
| Volume         | 556.325 ccm      |
| Packaging      | Carton           |
| Content amount | 10 ST            |
| EAN            | 4024941823364    |
| Length         | 245 mm           |
| Width          | 177 mm           |
| Height         | 185 mm           |
| Weight         | 1.963 kg         |
| Volume         | 7,140 ccm        |



5 MB 126

| Ampere                     | 16   | 16   | 16   | 32   | 32   | 32   |
|----------------------------|------|------|------|------|------|------|
| Polzahl                    | 3    | 4    | 5    | 3    | 4    | 5    |
| a                          | 85,0 | 85,0 | 85,0 | 85,0 | 85,0 | 85,0 |
| b                          | 85,0 | 85,0 | 85,0 | 85,0 | 85,0 | 85,0 |
| c                          | 70,0 | 70,0 | 70,0 | 70,0 | 70,0 | 70,0 |
| d                          | 70,0 | 70,0 | 70,0 | 70,0 | 70,0 | 70,0 |
| e ø                        | 6,3  | 6,3  | 6,3  | 6,3  | 6,3  | 6,3  |
| f                          | 11,0 | 11,0 | 11,0 | 11,0 | 11,0 | 11,0 |
| h                          | 75,5 | 75,0 | 76,5 | 85,0 | 85,0 | 85,0 |
| l ø                        | 49,0 | 49,0 | 49,0 | 49,0 | 49,0 | 49,0 |
| Leiter mm <sup>2</sup> min | 1    | 1    | 1    | 2,5  | 2,5  | 2,5  |
| Leiter mm <sup>2</sup> max | 2,5  | 2,5  | 2,5  | 6    | 6    | 6    |
|                            |      |      |      |      |      |      |
|                            |      |      |      |      |      |      |