

## Flanged appliance inlet - flange 110x106, fixing centers 90x90

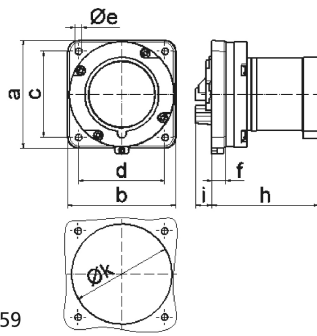


Product description	
BALS-Prd.-Nr	2858
EAN	4024941028585
Product category	TE flanged appliance inlet straight
Current	63A
Number of poles	5p
Poles	3p+N+PE
Position of earth contact	7 h
Voltage	277/480 up to 288/500V

Product description	
Frequency	50 and 60Hz
Protection degree	IP44
Colour code	black RAL 9005
Colour of appliance	Collar black RAL 9005, Enclosure grey RAL 7035
Connection design	screw terminal as box terminal
Maximum conductor size	16,0 qmm
Cable entry	other
Height	105mm
Width	110mm
Depth	114mm
Flange size vertical	110mm
Flange size horizontal	106mm
Drill hole distance vertical	90mm
Drill hole distance horizontal	90mm
Material of enclosure	Polyamide
Contact	The contact carrier is made of high temperature resistant material, the contacts are brass nickel plated

Additional technical properties	
	A retaining device to match the hinged cover of the connector must be provided to ensure the latching feature
	Collar in middle of flange

Logistics data	
Weight/pcs	0.583 kg / Piece
Packaging	Bag
Content amount	1 ST
EAN	4024941028585
Length	114 mm
Width	110 mm
Height	105 mm
Weight	0.584 kg
Volume	1,316.7 ccm
Packaging	Carton
Content amount	5 ST
EAN	4024941819121
Length	258 mm
Width	183 mm
Height	212 mm
Weight	3.067 kg
Volume	8,750 ccm



5 MB 59

Ampere	63	63	63			
Polzahl	3	4	5			
a	110,0	110,0	110,0			
b	106,0	106,0	106,0			
c	90,0	90,0	90,0			
d	90,0	90,0	90,0			
e ø	5,5	5,5	5,5			
f	13,0	13,0	13,0			
h	96,0	96,0	96,0			
i	19,0	19,0	19,0			
k	93,0	93,0	93,0			
Leiter mm <sup>2</sup> min	6	6	6			
Leiter mm <sup>2</sup> max	16	16	16			