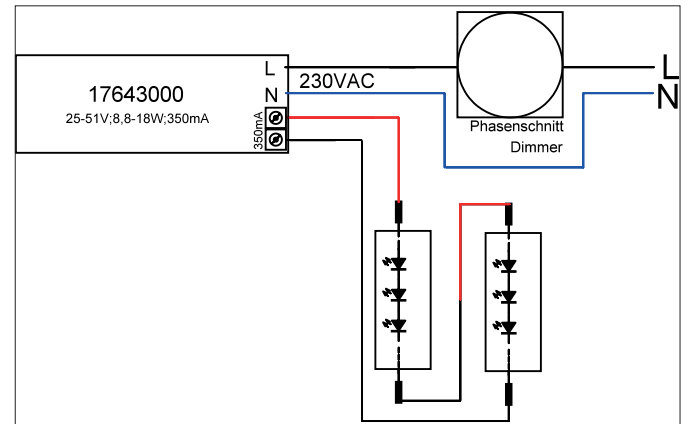


LED converter 350 mA, trailing-edge phase dimmable

Article no. 17643020

Light.
For Generations.**Tender**

LED converter 350 mA, trailing-edge phase dimmable. This converter is equipped with safety devices which protect it against overvoltage, short-circuit as well as thermal and electric overloads. The input and output terminals are suitable for cables with a cross-section of up to 1.5 mm². Material: Plastic, Degree of protection: according to DIN EN 60529 IP20, Protection class: (EN 61140) II, Current: 350 mA, Voltage: 230V AC 50Hz, Power: 18W, Control: Trailing-edge phase.

Article data

| | |
|-------------------|--|
| Article no. | 17643020 |
| GTIN | 4251433923947 |
| Short description | LED converter 350 mA, trailing-edge phase dimmable |
| Material | Plastic |
| Length | 110 mm |
| Width | 52 mm |
| Height | 22 mm |
| Scope of delivery | Plug&Play version with 110 mm P&P output cable |
| Weight | 0.151 kg |

LED converter 350 mA, trailing-edge phase dimmable

Article no. 17643020

Light.
For Generations.

| Operating technology of driver | |
|--------------------------------|----------------------------|
| AC nominal voltage min | 220 V |
| AC nominal voltage max | 240 V |
| Current | 350 mA |
| Protection class | II |
| Degree of protection | IP20 |
| Starting current | 2A 50µs |
| Power min | 8.8 W |
| Power | 18 W |
| Control | Trailing-edge phase |
| Environment temperature (ta) | -25 °C bis +50 °C |
| Measure point (tc) | max. +75 °C |
| Version | Plug&Play + connection box |
| Power factor | 0.95 |

| Packing data | |
|-------------------------|---|
| Gross weight | 0.182 kg |
| Length of packaging | 100 mm |
| Packaging width | 100 mm |
| Packaging height | 100 mm |
| Disposal at end of life | This product must not be disposed of with household waste. You are obliged, to dispose of such electrical waste separately. By disposing of electrical waste and other old or defective electronics separately, you support recycling or other forms of re-use. In that way you help to take care and to avoid that harmful substances get into the environment. |