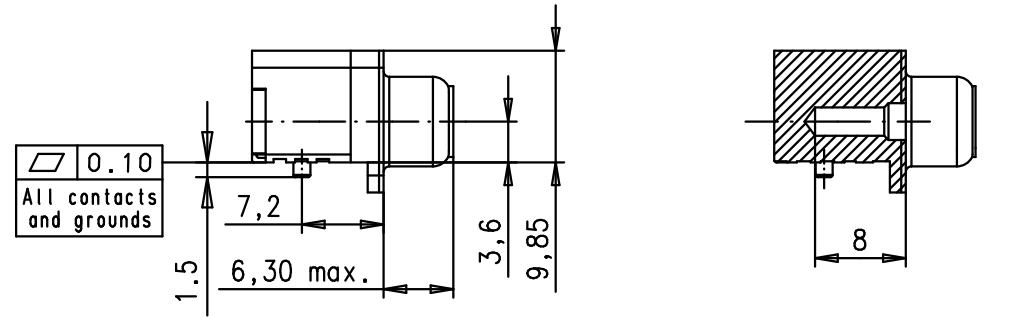
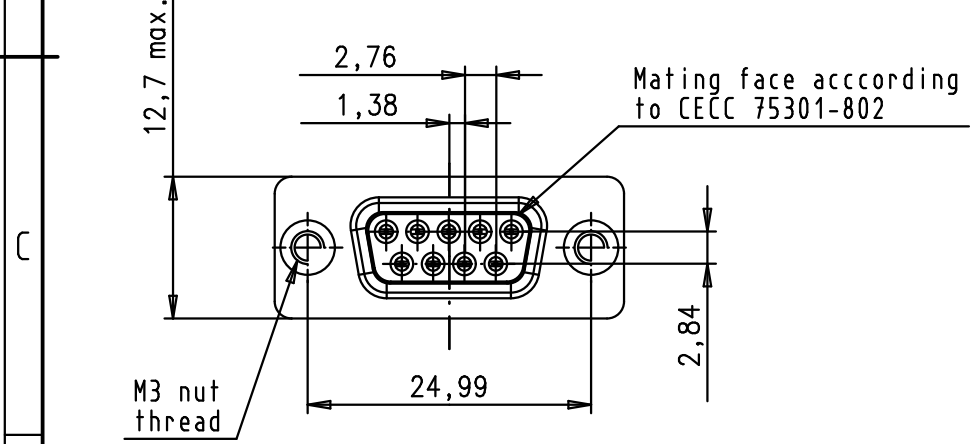


PCB Layout, component side (thickness 1.6 mm min.)



Max. Temperature : 260° during 10 seconds

								Dat.		Name		D-SUB SMT Low Profile Female 9p with die casted grounds and M3 nuts		Maßstab/ Scale	
								Detail.		13Jul2007		ED		1,5:1	
								Insp.							
								Stand.							
09551563615.741				1				EC01215		14Jan2010		ED			
09551566615.741				2		M3		34884		18Feb2008		LP			
09551567615.741				3		Black Insulator		34377		13Jul2007		ED			
Part number				PL		Thread		Index designation		Mod.		Dat.		Name	
						Reel Packaging (160 connectors) see page 2/2				HARTING EURL F-95972 Paris		Sub.		Blatt/ Page 1/2	