

Domestic panel mounting socket outlet, with increased contact protection (shutter), for stationary distributor systems - flange 50x50, System E Belgian/French standard

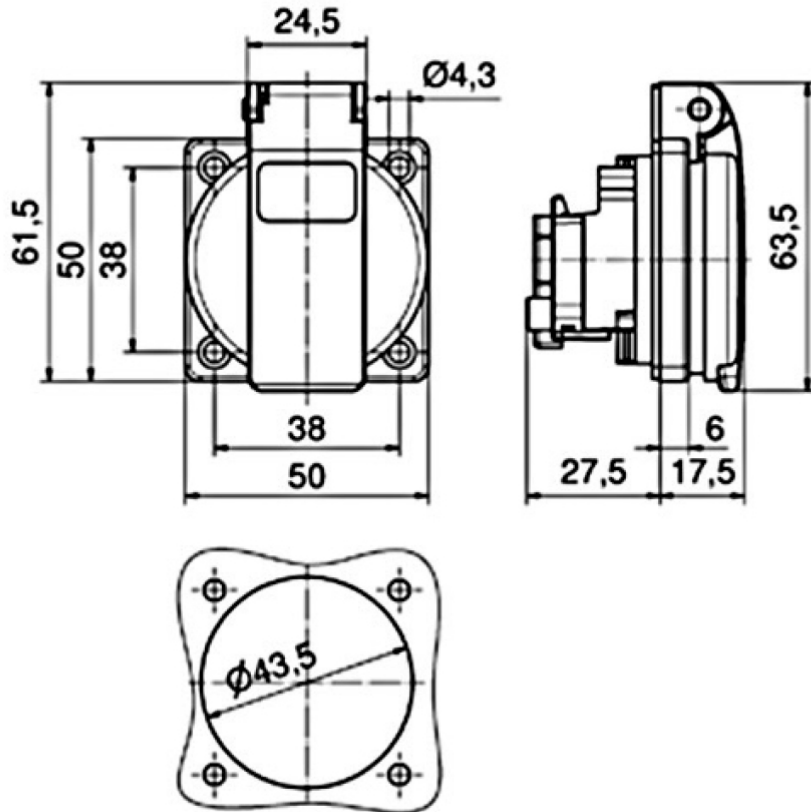


Product description	
BALS-Prd.-Nr	7112009
EAN	4024941939461
Product category	Domestic panel mounting socket, Quick-Connect screwless push-contact System E Belgian/French standard
Current	16A
Number of poles	3p
Poles	2P+PE

Product description	
Voltage	250V
Frequency	alternating current (AC)
Protection degree	IP54
Colour code	black RAL 9005
Colour of appliance	Enclosure black RAL 9005, Hinged lid black RAL 9005
Connection design	screwless
Maximum conductor size	4,0 qmm
Cable entry	other
Height	61.5mm
Width	50mm
Depth	45mm
Flange size vertical	50mm
Flange size horizontal	50mm
Drill hole distance vertical	38mm
Drill hole distance horizontal	38mm
Material of enclosure	Polyamide
Contact	The contact carrier is made of polyamide, the contacts are brass nickel plated

Additional technical properties	
	The connection is rear, With earth contact Belgian/French standard, With increased contact protection (shutter)

Logistics data	
Weight/pcs	0.06 kg / Piece
Packaging	Bag
Content amount	1 ST
EAN	4024941939461
Length	45 mm
Width	50 mm
Height	61.5 mm
Weight	0.061 kg
Volume	138.375 ccm
Packaging	Carton
Content amount	20 ST
EAN	4024941323567
Length	276 mm
Width	174 mm
Height	80 mm
Weight	1.312 kg
Volume	2,808 ccm



18 MB 103