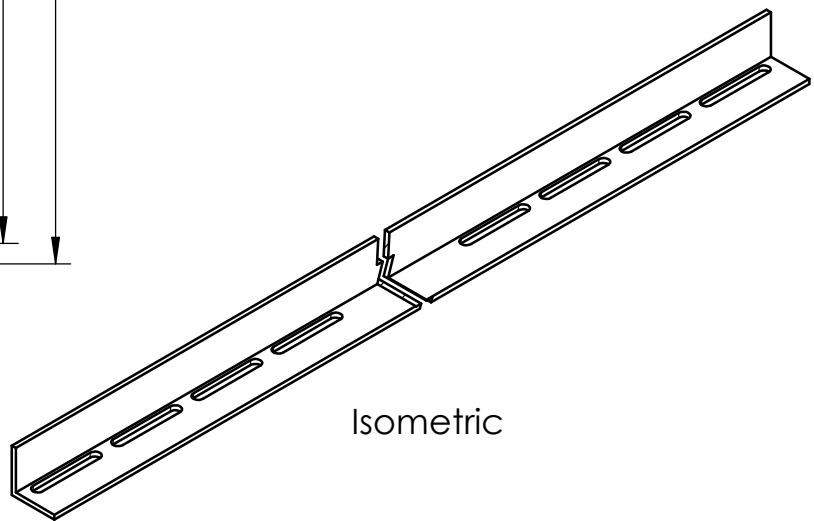


Maximum allowable ballast:
60 kg
 distributed on mounted Set (2 pieces)



Isometric



K2 Systems GmbH
 Industriestr. 18
 71272 Renningen
 Germany
 +49 7159 42059-0

Designation:
Data sheet
Dome 6.0 Porter

F	Name	Date	Material:	Item no.:	A4		
	Designed	S. Frey	29.04.2021	EN AW 6060 T6		2004157	
	Approved	Gerstenberger	29.04.2021	Surface: mill finish	Drawing no.:	07-354-02	All dimensions in mm
	Last change	Uzun	09.07.2021	Weight: ca. 1073.3 g/pc	Scale: 1:5		Sheet 1 of 1

This drawing is the sole property of K2 Systems GmbH. It is protected by copyright and may only be copied, reproduced or distributed to a third party with explicit permission!