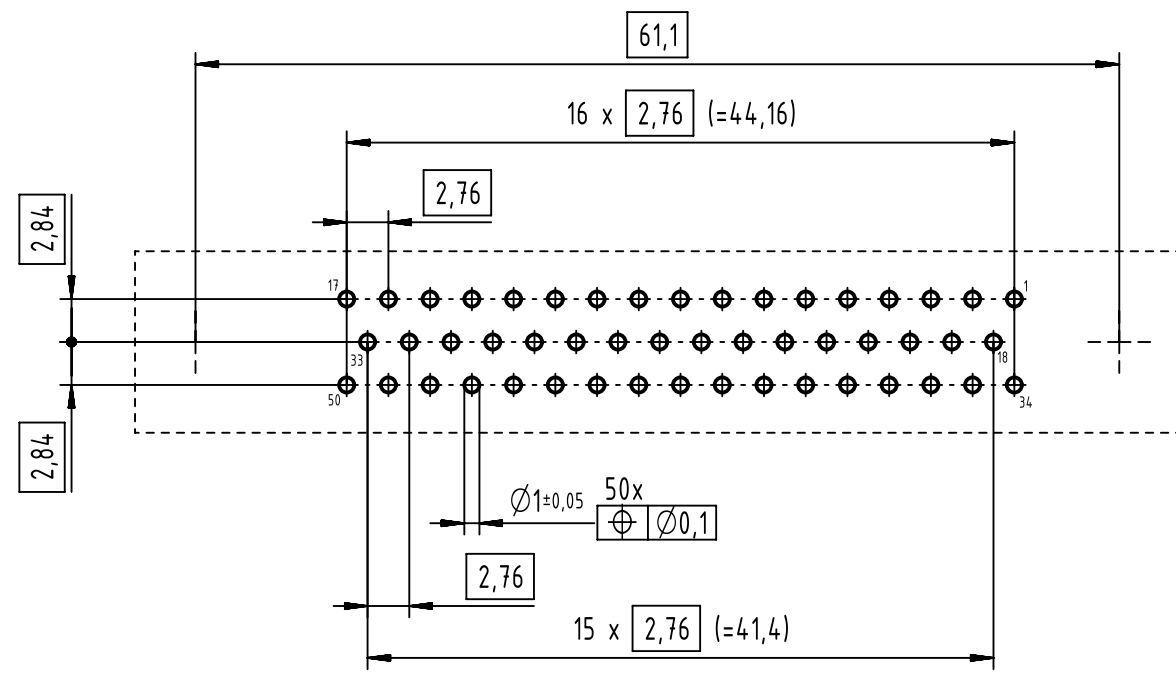
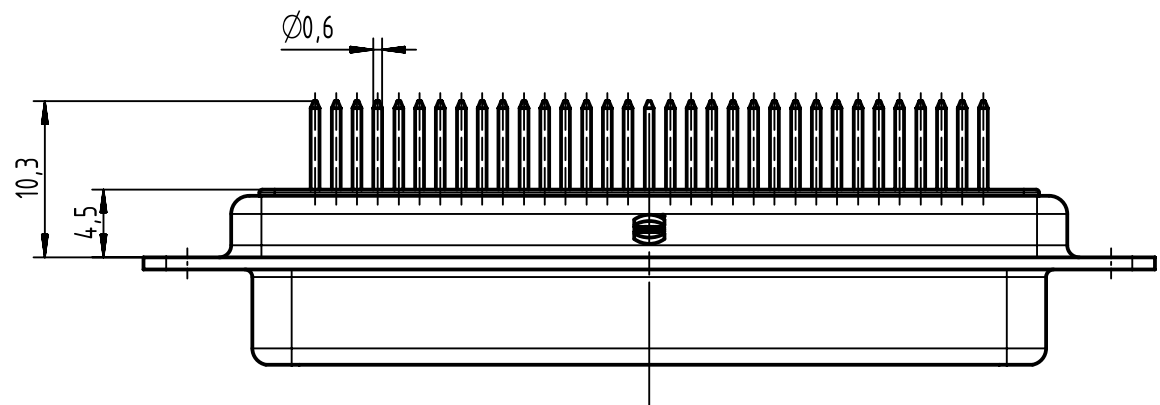


PC-Board layout view component side



09 67 050 4755	PL2
09 67 050 4754	PL3
Part number	Performance level

	All rights reserved Department EL PD HARTING Electronics GmbH D-32339 Espelkamp	All Dimensions in mm Original Size DIN A3	Scale 2:1	Free size tol.	Ref. Sub.
		Created by ZHUANGJ	Inspected by LUOK	Standardisation HOFFMANN	Date 2018-05-02
Title D-Sub female 50-pole straight assembly					Doc-Key / ECM-Nr. 100578354/UGD/000/B 500000132564
Type TB		Number 0967050475X			Rev. B
					Page 1/1