

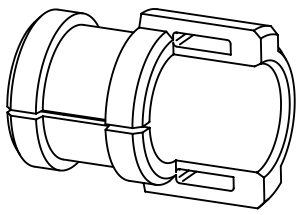
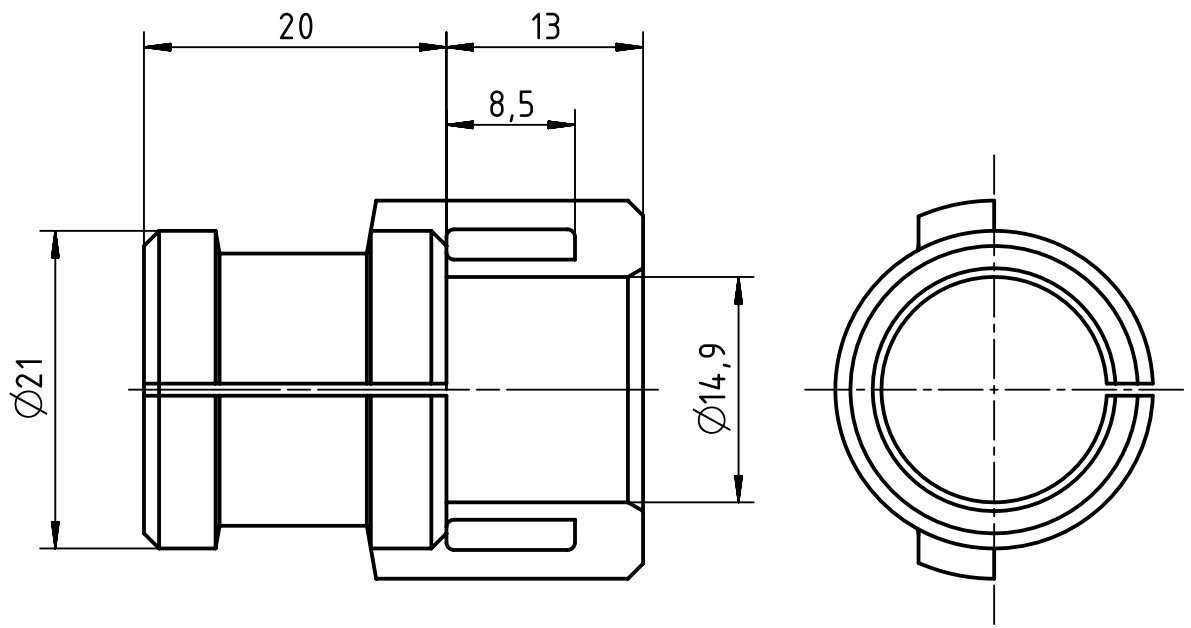
1 2 3 4 5 6

A


B

C

D



suitable cable \varnothing 14-15mm

	All rights reserved Department EL PD	All Dimensions in mm Original Size DIN A4		Scale 2:1	Free size tol.		Ref.	
		HARTING Electric GmbH & Co. KG D-32339 Espelkamp		Created by DICK	Inspected by SCHNIEDER	Standardisation TIEMANNA	Date 2014-07-03	State Final Release
Title Kabeldurchführungsstülpe 14-15mm							Doc-Key / ECM-Nr. 100085382/UGD/003/A 500000076557	
Type TB				Number 09 00 000 5362			Rev. A	Page 1/1