

Wall mounting socket outlet, fused - housing dimension 170x90, with mounting rail

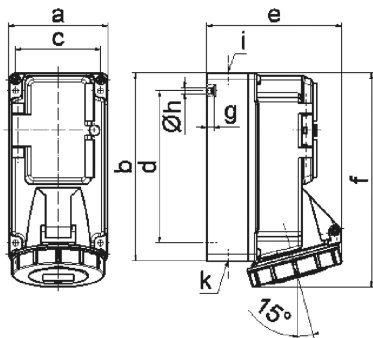


| Product description | |
|-------------------------------|---|
| BALS-Prd.-Nr | 15100 |
| EAN | 4024941151009 |
| product category (PG) | Quick-Connect TE wall mounting socket outlet, fused |
| current (A) | 16A |
| number of poles (P99) | 5p |
| number of poles (P) | 3p+N+PE |
| position of earth contact (H) | 6 h |
| voltage (V) | 200/346 up to 240/415V |

| Product description | |
|-----------------------------|--|
| frequency (HZ) | 50 and 60Hz |
| protection degree (SA) | IP67 |
| colour code 1 (KF1) | red RAL 3000 |
| Colour of appliance | Operating window smoky topaz, Hinged lid red RAL 3000, Bayonet ring grey RAL 7035, Housing bottom grey RAL 7035, Housing top grey RAL 7035 |
| connection design (AT) | screwless spring terminals as cage clamp with Kontex-contact |
| maximum conductor size (LQ) | 4,0 qmm |
| cable entry (KE) | top entry M20 bottom entry M25/20 |
| Height | 195mm |
| Width | 90mm |
| Depth | 123mm |
| dimension of enclosure (GG) | 170x90 mm (HxW) |
| material of enclosure (GM) | Polycarbonate |
| contact | The contact carrier is made of high temperature resistant material, the contacts are brass nickel plated |

| Additional technical properties | |
|---------------------------------|--|
| | The cable entry is one at top open and two at bottom closed |
| | Lower part of housing rotatable by 180° |
| | With mounting rail for 5 modules, vertical, With mounting rail, Protective cover for fuses with stamping |

| Logistics data | |
|----------------|-----------------|
| Weight/pcs | 0.58 kg / Piece |
| Packaging | Carton |
| Content amount | 1 ST |
| EAN | 4024941151009 |
| Length | 205 mm |
| Width | 102 mm |
| Height | 134 mm |
| Weight | 0.64 kg |
| Volume | 2,118.48 ccm |



14 MB 6

| Ampere | 16 | 16 | 16 | | | |
|---------|--------|--------|--------|--|--|--|
| Polzahl | 3 | 4 | 5 | | | |
| a | 90,0 | 90,0 | 90,0 | | | |
| b | 170,0 | 170,0 | 170,0 | | | |
| c | 77,0 | 77,0 | 77,0 | | | |
| d | 137,5 | 137,5 | 137,5 | | | |
| e | 108,0 | 115,0 | 121,0 | | | |
| f | 191,5 | 191,5 | 191,5 | | | |
| g | 6,0 | 6,0 | 6,0 | | | |
| h ø | 5,5 | 5,5 | 5,5 | | | |
| i | M20 | M20 | M20 | | | |
| k | M20/25 | M20/25 | M20/25 | | | |
| | | | | | | |
| | | | | | | |