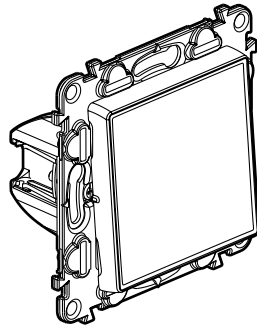
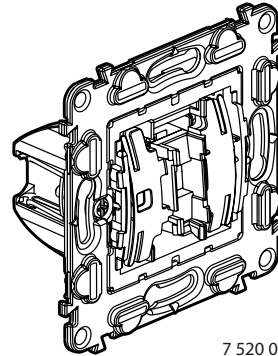


Valena™ Life - Valena™ INMATIC
Lighting controls 16 AX

Cat. No(s): 7 520 02/27/41
7 521 02 - 7 522 02 - 7 523 02 - 7 563 22



7 521 02



7 520 02

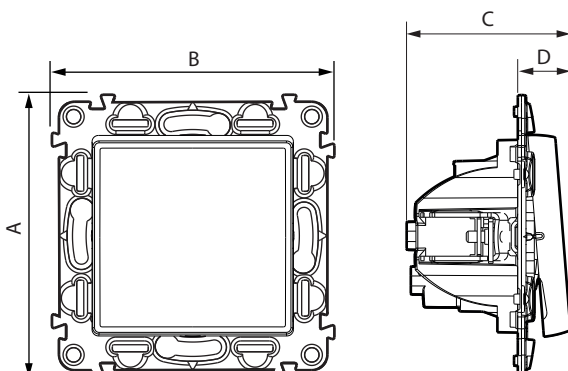
1. USE

Lighting controls mechanisms 16 AX - 250 V~.
 Mechanisms supplied with protection cover.
 To be equipped with plates one or several gangs.
 Flush-mounting or surface-mounting.
 Screw or claw fixing.

2. RANGE

Description	Mechanism + Cover plate				Mechanism only
	White	Ivory	Aluminium	Black	
Two-way switch	-	-	-	-	7 520 27
Two-pole switch	7 521 02	7 522 02	7 523 02	7 563 22	7 520 02
Two-pole switch (Heizungsnotschalter)	-	-	-	-	7 520 02
Two-pole switch with indicator Cat. No 6 650 91	-	-	-	-	7 520 41

3. DIMENSIONS (mm)



References	A	B	C	D
7 521 02 - 7 522 02 - 7 523 02 - 7 563 22	75	75	43.5	14
7 520 02/41	75	75	39.5	10
7 520 27	75	75	37.5	10

4. CONNECTION

- **Screw terminals**
 Cat. Nos 7 520 02/41 - 7 521 02 - 7 522 02 - 7 523 02 - 7 563 22
 Capacity: 2 x 4 mm²
 Stripping length: 10 mm
 Flexible or rigid cables compatible
- **Automatic terminals**
 Cat. No 7 520 27
 Capacity: 2 x 2.5 mm²
 Stripping length: 13 mm
 Flexible or rigid cables compatible

5. TECHNICAL CHARACTERISTICS

■ 5.1 Mechanical characteristics

Protection against solid bodies and liquids: IP 20
Protection against impact: IK 04

■ 5.2 Material characteristics

Polygloss appearance

Colour: - White RAL 9003
- Ivory RAL 1013
- Aluminium
- Black

Material: - Rocker: ABS
- Base: PC
- Halogen-free
- UV-resistant

Material of the support: - Polycarbonate grey RAL 7037 + Metal
- Halogen-free

Self-extinguishing:

850°C/30 s for insulating components holding live parts in place
650°C/30 s for other insulating components

■ 5.3 Electrical characteristics

Voltage: 250 V~

Current: 16 AX

Max. power for self-ballasted lamps: 200 W

Frequency: 50/60 Hz

■ 5.4 Climate characteristics

Usage temperature: - 5°C to + 35°C

Storage temperature: - 10°C to + 70°C

6. MAINTENANCE

Surface cleaning with a cloth.

Do not use: acetone, tar remover, trichloroethylene.

Maintenance with the following products: Hexane (EN 60669-1),
Methylated spirit, Soapy water, Diluted ammonia, Bleach diluted to 10%,
Window-cleaning products, Pre-impregnated-wipes.

Caution: Always test before using other special cleaning products.

7. STANDARDS AND APPROVALS

Compliant with installation and manufacturing standards.

See e. catalogue.