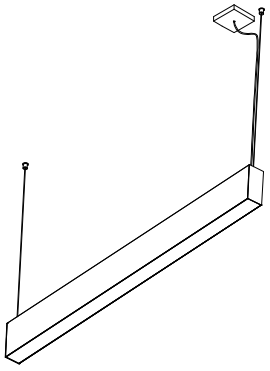

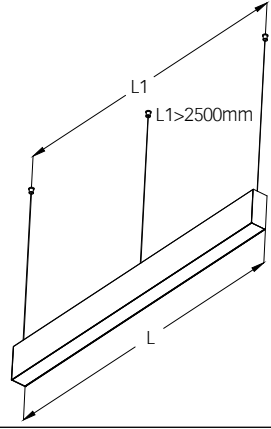


MATRIC G6/R6 | SYSTEM 81MM SUSPENDED

1. MONTAGE UND INSTALLATION | MOUNTING AND INSTALLATION:

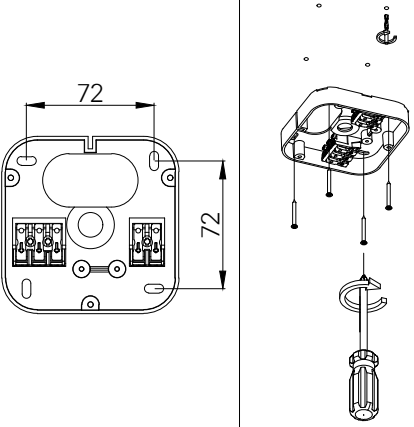


1. Bei allen Montagearbeiten Handschuhe tragen.
 Use gloves when handling the fixture.

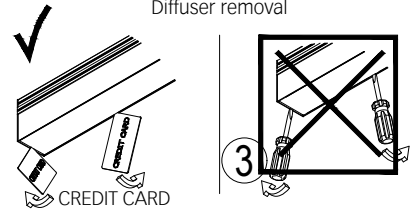
Opal/Microprismatic		Louvre	
L[mm]	L1[mm]	L[mm]	L1[mm]
890	870	1005	985
1182	1162	1256	1236
1475	1455	1507	1487
1765	1745	1757	1737
2055	2035	2008	1988

2. Montageöffnungen.
 Installation openings.



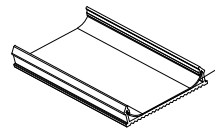
3.

Diffuser removal



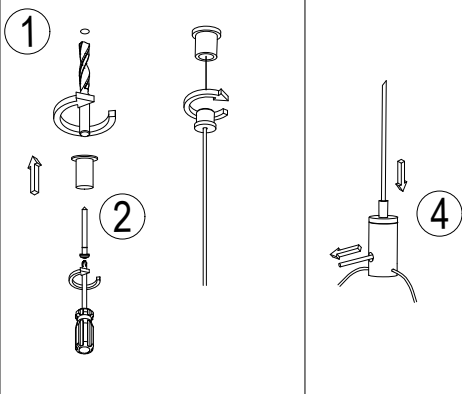
CREDIT CARD

3



The foil inserted into the Microprismatic screen has a diffusion function - do not remove it!

4.

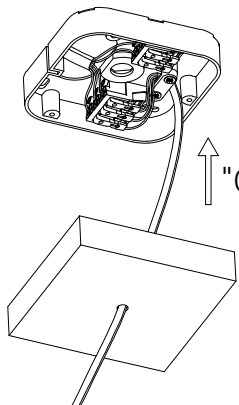


1

2

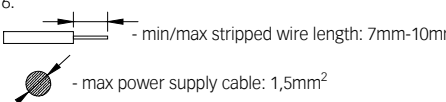
4

5.



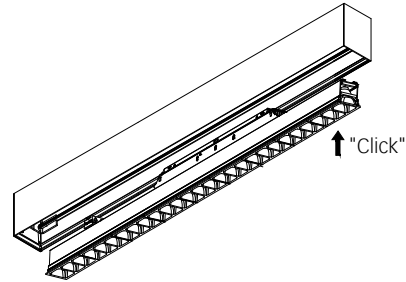
"Click"

6.



- min/max stripped wire length: 7mm-10mm

- max power supply cable: 1,5mm²



"Click"

7. Louvre installation.

IMPORTANT:

- all sections must be suspended individually and perfectly levelled (horizontally and vertically) before connecting them together - this is crucial
- all suspension cords must be positioned perfectly vertical
- all suspension cords must be tensioned with the same strength
- if these conditions are not satisfied then the different parts will settle to different levels and work against one another.

8. Maximum current load allowed to through-wiring is 13A.
 Non-user replaceable light source.