

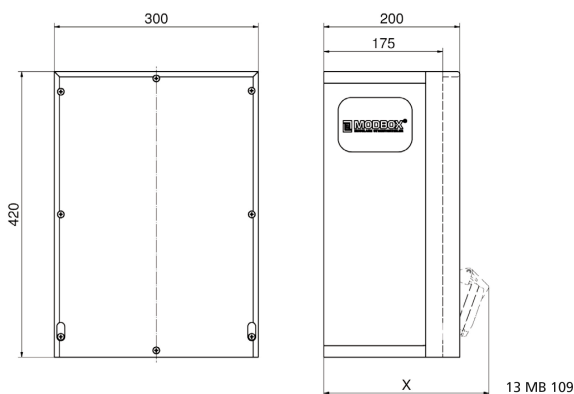
Surface-mounting distributor, rubber - MODBOX



Product description	
BALS-Prd.-Nr	5402161
EAN	4024941935890
Product category	MODBOX
Protection degree	IP67
Colour of appliance	Housing bottom similar black RAL 9017, Housing top similar black RAL 9017
Height	420mm
Width	300mm
Depth	175mm
RDF factor	0.76

Product description	
Nominal current InA	40

Logistics data	
Weight/pcs	14.494 kg / Piece
Packaging	Carton
Content amount	1 ST
EAN	4024941935890
Length	320 mm
Width	346 mm
Height	511 mm
Weight	15.204 kg
Volume	56,577.92 ccm


Tiefenmaß/ depth X (mm)

Bezeichnung/ with	IP44	IP67
Schutzk. Steckdose/ <i>domestic socket</i>	192	235
CEE 16A 3p	230	230
CEE 16A 4p	234	232
CEE 16A 5p	237	235
CEE 32A 3p/4p	241	243
CEE 32A 5p	243	244
CEE 63A 3p/4p/5p	259	261