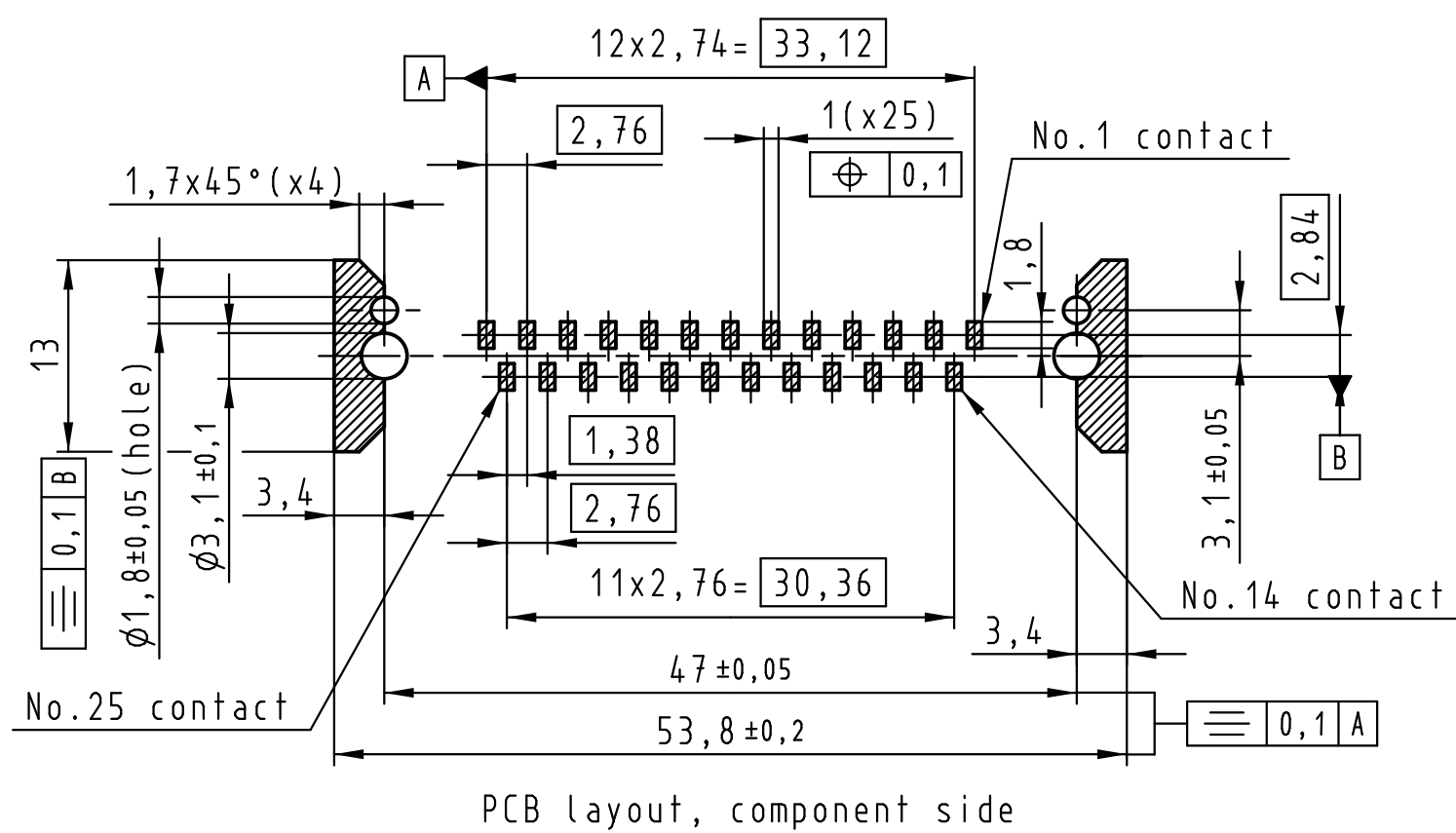
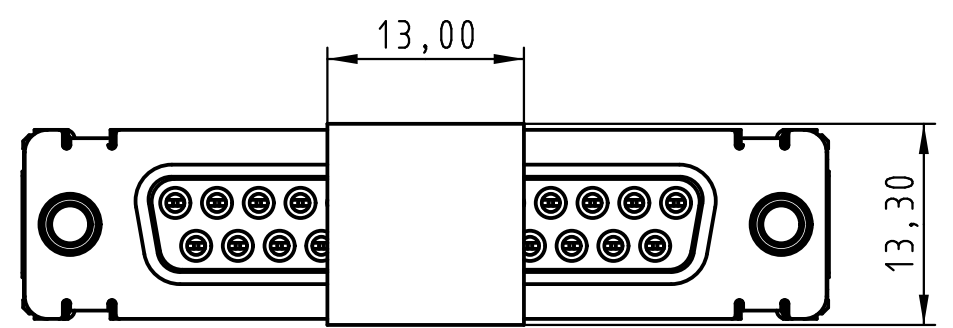
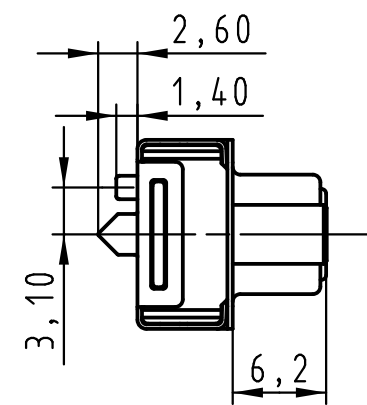
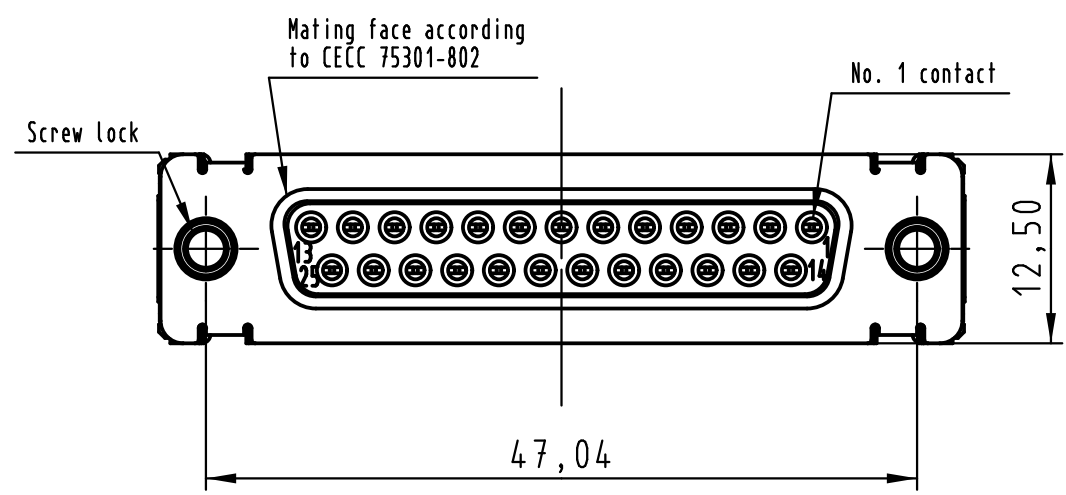
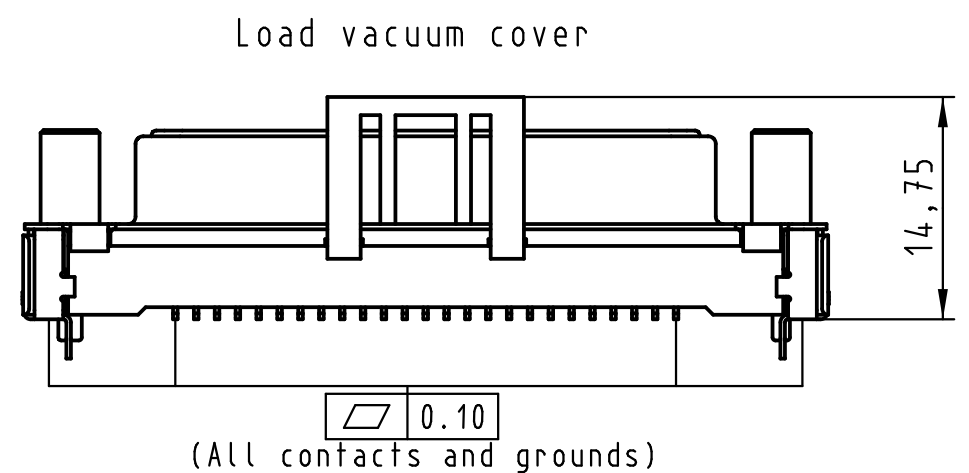
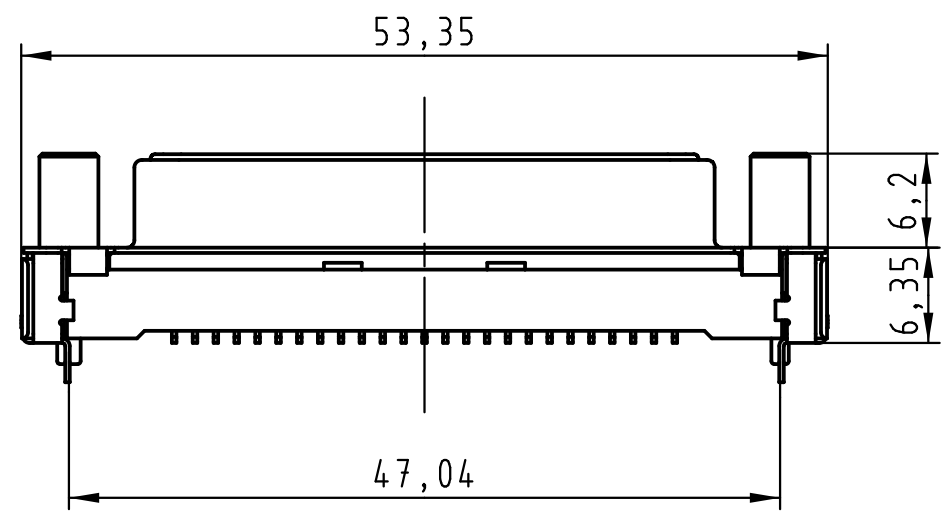
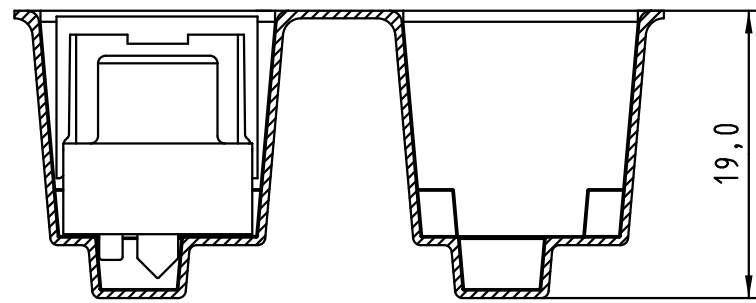


All rights reserved

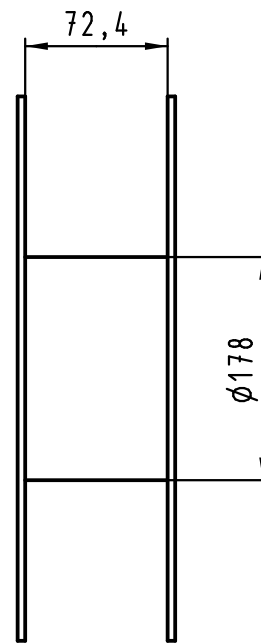
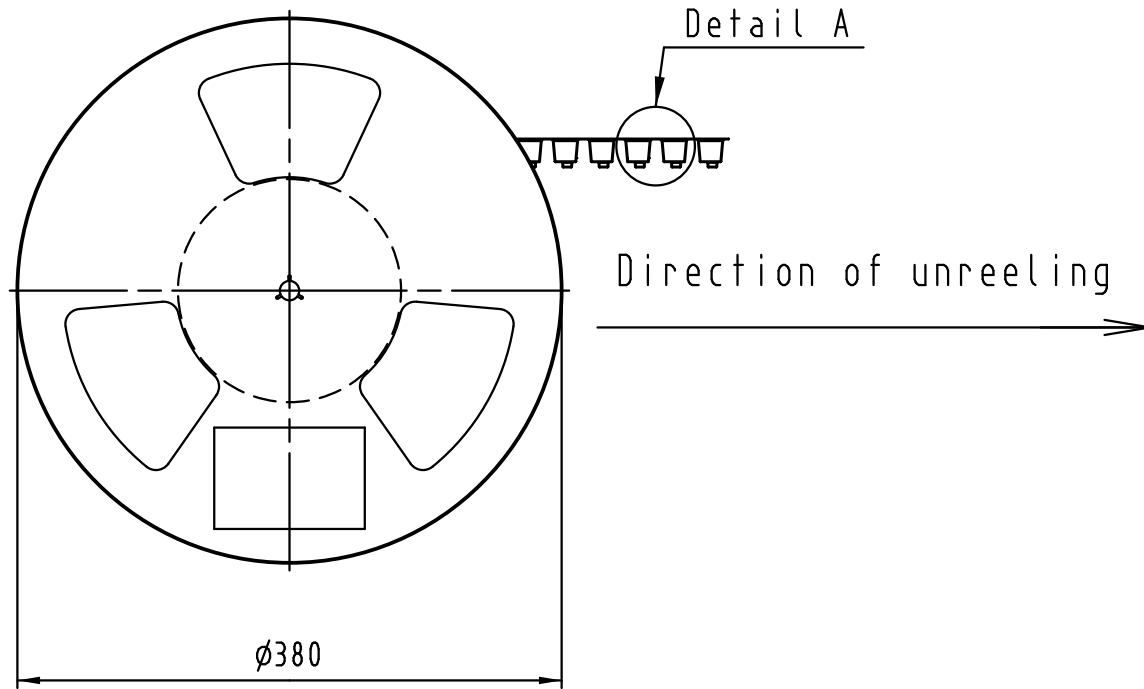
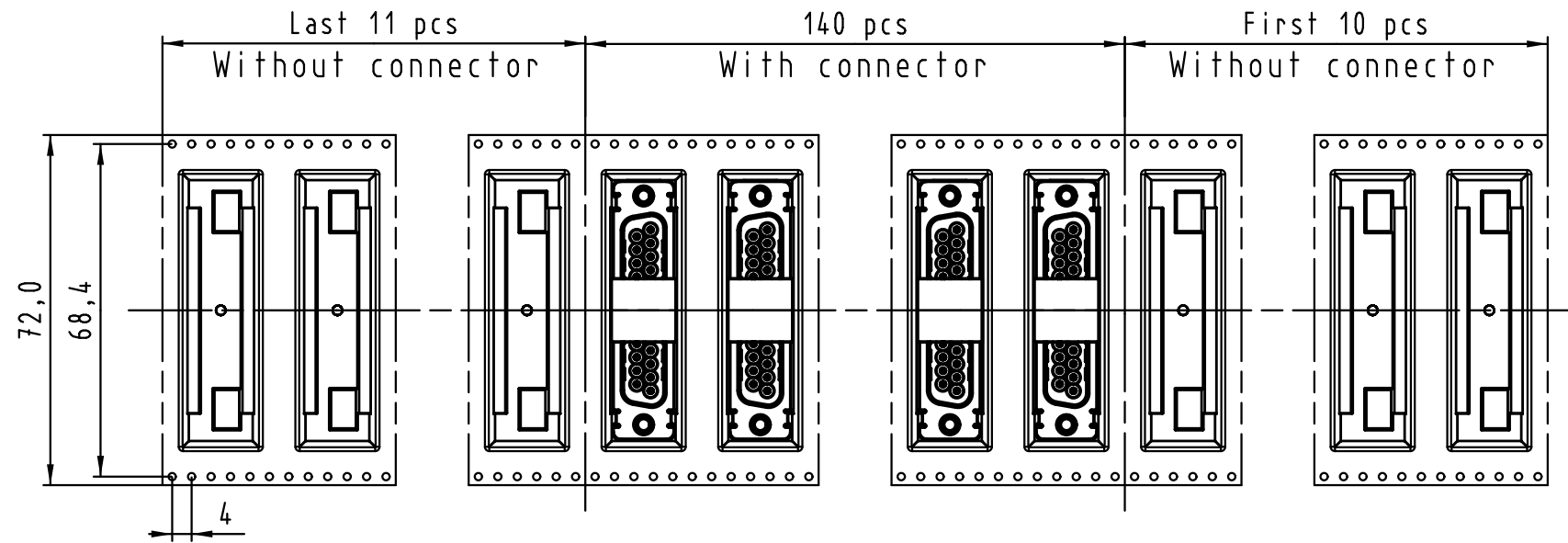


Max. Temperature: 260° during 10 seconds.

0955 355 3621 741	1	M3	Black insulator	Reel Packaging: 140 connectors (See details on page 2/2)
0955 355 3622 741	1	4-40 UNC		
0955 355 6621 741	2	M3		
0955 355 6622 741	2	4-40 UNC		
0955 355 7621 741	3	M3		
0955 355 7622 741	3	4-40 UNC		
Part number	PL	Screw lock	Index designation	
			Free size tolerances	
Techn. Character.		Scale		D-Sub SMT, 25 poles Female, Straight with screw locks and ground pins
Detail.	Dat.	Name	2:1	
Insp.	17-Nov-11	Steven.W		
Stand.	17-Nov-11	Steven.W		
EC04070	17-Nov-11	Johnson.S	Zhuhai HARTING Limited	
Mod.	Dat.	Name	TB 09 55 355 x62x	Page 1/2
			Sub.	



Detail A



See TB 09 55 355 x62x folio 1/2 for connector dimensions and PCB layout

Packaging in accordance with EIA 481-2.

0955 355 3621 741	1	M3	Black insulator	Reel Packaging: 140 connectors
0955 355 3622 741	1	4-40 UNC		
0955 355 6621 741	2	M3		
0955 355 6622 741	2	4-40 UNC		
0955 355 7621 741	3	M3		
0955 355 7622 741	3	4-40 UNC		
Part number	PL	Screw lock	Index designation	

All Dimensions in mm Original Size DIN A 3			Techn. Character.			Free size tolerances						
				Dat.	Name	Scale						
				Detail.	25-Oct-11	Johnson.S	D-Sub SMT, 25 poles Female, Straight with screw locks and ground pins					
				Insp.	17-Nov-11	Steven.W						
				Stand.	17-Nov-11	Steven.W						
EC04070	17-Nov-11	Johnson.S	Zhuhai HARTING Limited			TB 09 55 355 x62x						
Mod.	Dat.	Name				Sub. <table border="1" style="float: right;"> <tr> <td>Page</td> <td>2</td> </tr> <tr> <td>Sub.</td> <td>2</td> </tr> </table>			Page	2	Sub.	2
Page	2											
Sub.	2											

All rights reserved