

Panel mounting socket outlet, angled - flange 100x92, fixing centers 85x77

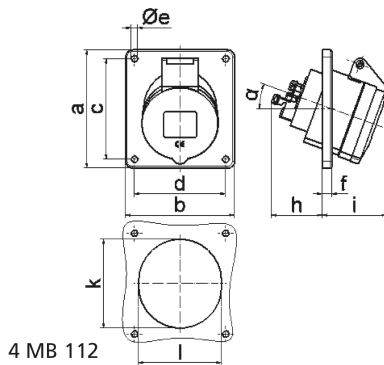


| Product description | |
|---------------------------|--|
| BALS-Prd.-Nr | 12798 |
| EAN | 4024941127981 |
| Product category | Panel mounting socket outlet Quick-Connect, angled |
| Current | 32A |
| Number of poles | 4p |
| Poles | 3P+PE |
| Position of earth contact | 2 h |
| Voltage | > 50V |

| Product description | |
|--------------------------------|--|
| Frequency | over 300 up to 500Hz |
| Protection degree | IP44 |
| Colour code | green RAL 6002 |
| Colour of appliance | Hinged lid green RAL 6002, Enclosure grey RAL 7035 |
| Connection design | screwless spring terminals as cage clamp with Kontex-contact |
| Maximum conductor size | 10,0 qmm |
| Cable entry | other |
| Height | 101mm |
| Width | 92mm |
| Depth | 117mm |
| Flange size vertical | 100mm |
| Flange size horizontal | 92mm |
| Drill hole distance vertical | 85mm |
| Drill hole distance horizontal | 77mm |
| Material of enclosure | Polyamide |
| Contact | The contact carrier is made of polyamide, The contacts are brass |

| Additional technical properties | |
|---------------------------------|------------------------|
| | The inclination is 20° |

| Logistics data | |
|----------------|-----------------|
| Weight/pcs | 0.21 kg / Piece |
| Packaging | Carton |
| Content amount | 10 ST |
| EAN | 4024941829762 |
| Length | 258 mm |
| Width | 183 mm |
| Height | 212 mm |
| Weight | 2.249 kg |
| Volume | 8,750 ccm |



| Ampere | 16 | 16 | 16 | 32 | 32 | 32 |
|----------------------------|------|-------|-------|-------|-------|-------|
| Polzahl | 3 | 4 | 5 | 3 | 4 | 5 |
| a | 74,0 | 100,0 | 100,0 | 100,0 | 100,0 | 100,0 |
| b | 62,0 | 92,0 | 92,0 | 92,0 | 92,0 | 92,0 |
| c | 60,0 | 85,0 | 85,0 | 85,0 | 85,0 | 85,0 |
| d | 52,0 | 77,0 | 77,0 | 77,0 | 77,0 | 77,0 |
| e ø | 5,5 | 5,5 | 5,5 | 5,5 | 5,5 | 5,5 |
| f | 8,0 | 8,0 | 8,0 | 8,0 | 8,0 | 8,0 |
| h | 46,0 | 46,0 | 46,0 | 55,0 | 55,0 | 55,0 |
| i | 48,0 | 50,0 | 55,0 | 68,0 | 68,0 | 60,0 |
| k | 57,0 | 65,0 | 70,0 | 75,0 | 75,0 | 78,0 |
| l | 52,0 | 65,0 | 70,0 | 75,0 | 75,0 | 78,0 |
| α | 20° | 20° | 20° | 20° | 20° | 20° |
| Leiter mm ² min | 1,5 | 1,5 | 1,5 | 2,5 | 2,5 | 2,5 |
| Leiter mm ² max | 4 | 4 | 4 | 10 | 10 | 10 |