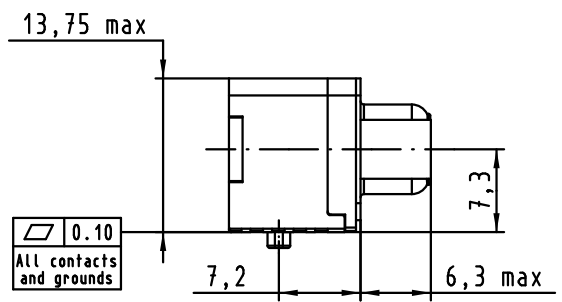
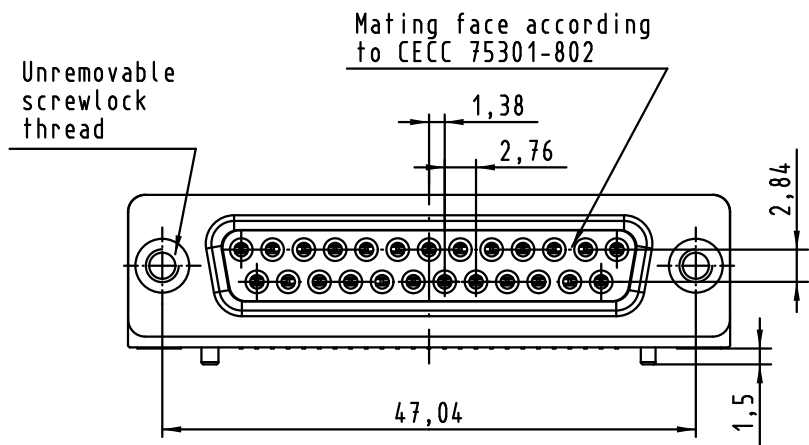


PCB Layout, component side (thickness 1,6mm min.)



Max. Temperature: 260°C during 10 seconds

D	09553563622.741	1	4-40 UNC	Black Insulator	Reel Packaging (140 connectors) see page 2/2				Dot.	Name	 All Dim. in mm Orig. Size DIN A 4	D-SUB SMT Standard Female 25p with die casted grounds and unremovable screwlocks	Maßstab/ Scale 1,5:1		
	09553566622.741	2							Detail.	30Jun2010				ED	
	09553567622.741	3							Insp.						
	09553563621.741	1	M3						Stand.						
	09553566621.741	2							EC02316	30Aug2010	ED	HARTING EURL F-95972 Paris		TB 09 55 356 x62x	Blatt/ Page 1/2
	09553567621.741	3							EC01953	30Jun2010	ED				
	Part number	PL	Thread		Index designation	Mod.	Dot.	Name				Sub.			