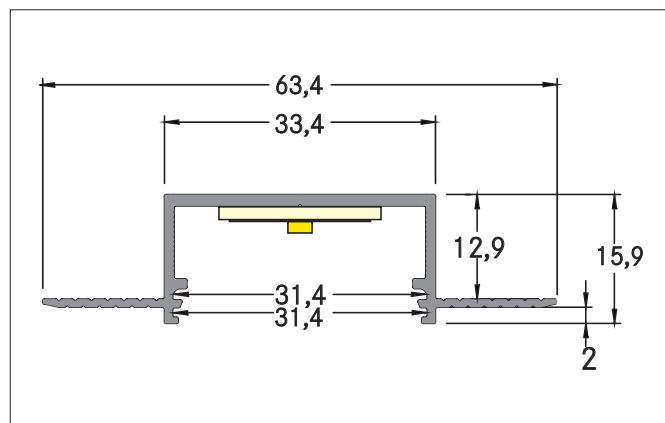


**P37-30 Plaster profile**

Article no. 73655070

Light.  
For Generations.**Tender**

Plaster profile, white. With the use of profile covers 73404000 73404070 the additional mechanical protection and optimal light distribution can be achieved. The associated end cap set is under 53091070 available. for Mounting method: Recessed profile, Material: Aluminium, dimensions profile: length: 100 mm x width: 63,4 mm x height: 15,9 mm .

**Product Benefits**

- Elegant, compact plastering profile for ceiling mounting.
- Fluted surface for better grip when plastering the surface.
- Up to 4 meters in length in one piece.

(For deliveries beyond 2000 mm: Please ask for delivery costs separately).

- Easy installation due to additional screw mounting.

| Article data      |                 |
|-------------------|-----------------|
| Article no.       | 73655070        |
| GTIN              | 4251433913948   |
| Series name       | P37-30          |
| Short description | Plaster profile |
| Material          | Aluminium       |
| Colour            | White           |
| Type of surface   | Matt            |
| Length            | 100 mm          |
| Width             | 63.4 mm         |
| Height            | 15.9 mm         |
| Weight            | 0.032 kg        |

**P37-30 Plaster profile**

Article no. 73655070

Light.  
For Generations.

| Packing data            |   |
|-------------------------|---|
| Gross weight            | 0.422 kg  |
| Length of packaging     | 2,020 mm  |
| Packaging width         | 80 mm   |
| Packaging height        | 80 mm   |
| Note                    | Please note that the materials aluminium and PMMA or PC can expand differently with changes in temperature! At a temperature change of 10°C, the coefficient of expansion is approx. aluminium is approx. 0.7mm per metre, for plastic approx. 1.5mm per metre. This is not a defect in the product, this is a normal physical process.                             |
| Disposal at end of life | This product must not be disposed of with household waste. You are obliged, to dispose of such electrical waste separately.<br>By disposing of electrical waste and other old or defective electronics separately, you support recycling or other forms of re-use. In that way you help to take care and to avoid that harmful substances get into the environment. |