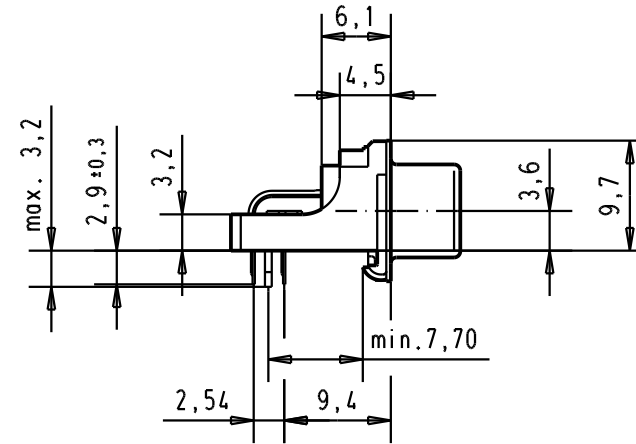
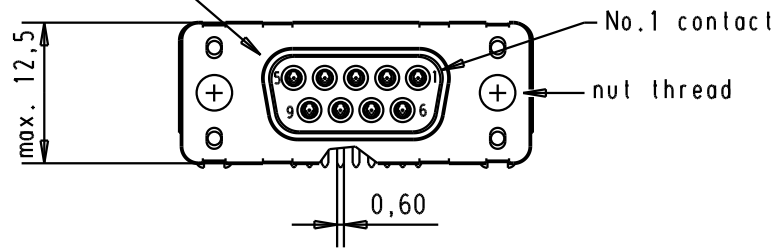
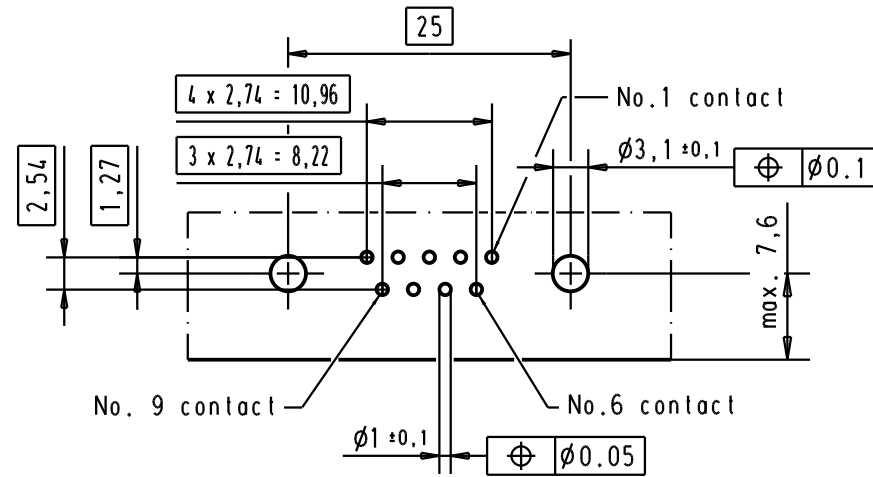
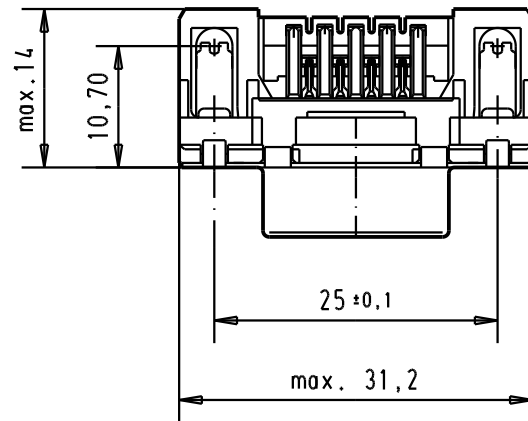




Mating face according to : MIL-C-24308 / DIN 41652 / CECC 75301-802



PCB layout hole component side



Connector retention and insertion forces on the PCB = 25 / 80 newtons

Part number	Nut thread	Performance level	Mod.	Dat.	Name	Dat.	Name	All Dim. in mm Orig. Size DIN A 4		Moßstab/ Scale	
09 66 152 3615	M 3	1								1.5:1	
09 66 152 6615	M 3	2	31892	05/05/04	JH	Detail.	02/sept/00				jfb
09 66 152 7615	M 3	3	31084	04/SEP/02	YT	Insp.			D-Sub 09 poles low profil angle female, solder pin with nut and grounding board lock.	Blatt/ Page 2 / 5	
09 66 152 3616	4-40 UNC	1	27961	24/nov/00	jfb	Stand.					
09 66 152 6616	4-40 UNC	2	27952	26/oct/00	jfb	HARTING EURL F-95972 Paris					
09 66 152 7616	4-40 UNC	3	27948	02/sept/00	jfb						
										TB 0966152x61x	Sub.