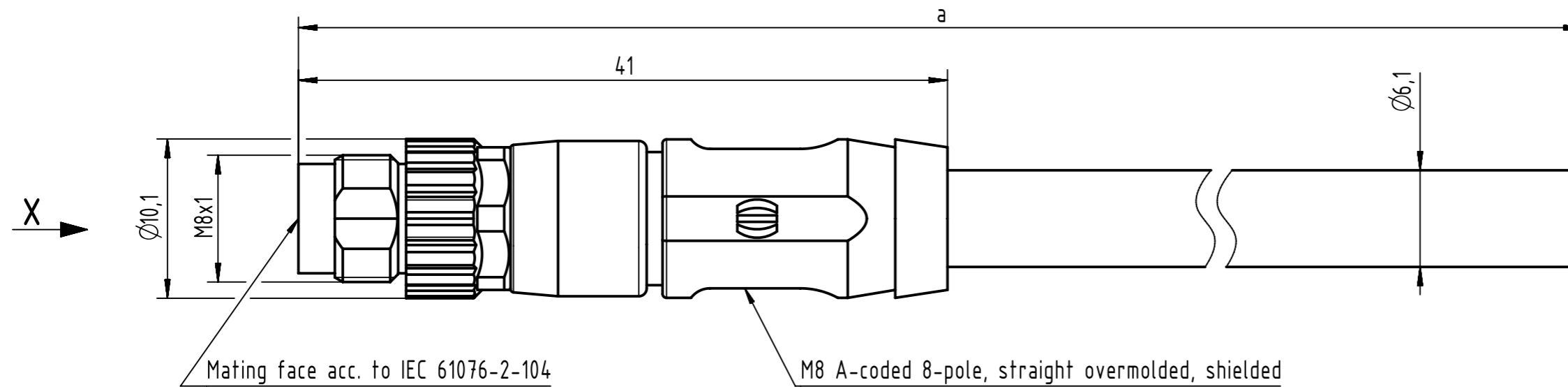


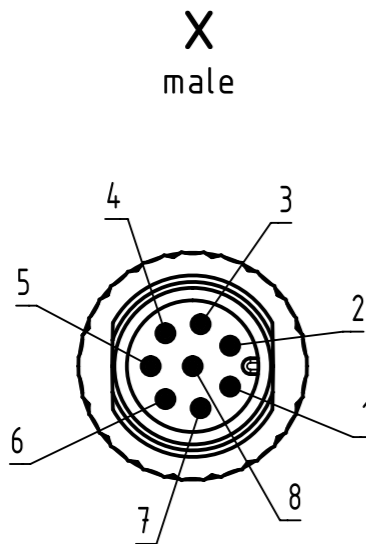
Connector Location A

Connector Location B

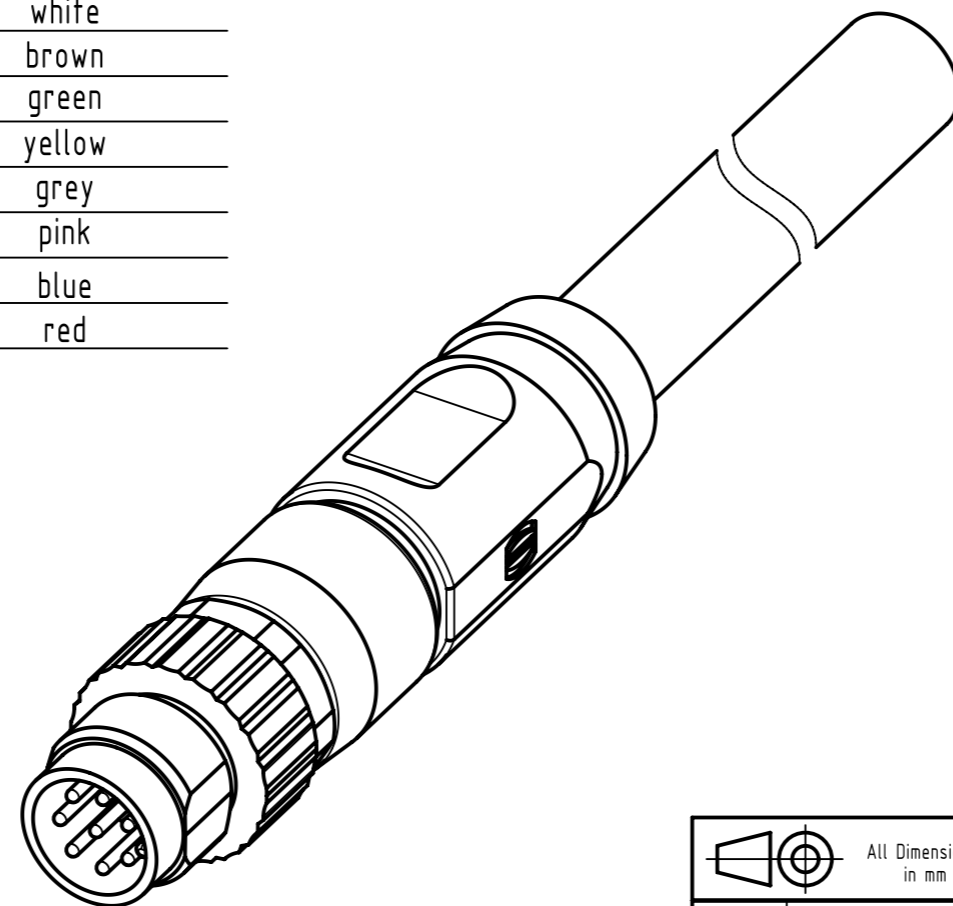
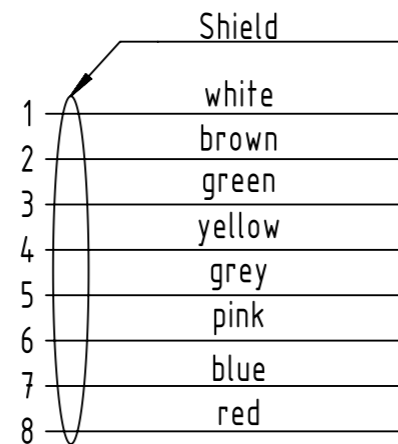


Mating face acc. to IEC 61076-2-104

M8 A-coded 8-pole, straight overmolded, shielded



Loading-Plan



length in "1m" step	100	XXX=000
	99	XXX=990
	.	.
	12	XXX=120
	11	XXX=110
length in "0.1m" step	10	XXX=100
	9.9	XXX=099
	9.8	XXX=098
	.	.
	0.4	XXX=004
	0.3	XXX=003
	0.2	XXX=002
0.1	XXX=001	
Step	a [m]	XXX

4.0 to 100	±1%
0.1 to 3.9	+0.04
a [m]	Tolerance

Part no.	213473008XXXXX
----------	----------------

Type of cable	XX
PVC grey, 8x0.14mm ²	XX=21
PUR black, 8x0.14mm ²	XX=22

- Protection level: IP67
- Temperature range: -30°C ... +80°C

	All Dimensions in mm	Tech. Character.	Free size tol.	According to production drawing	
	All rights reserved Department HCS - RO	Created by STOCHECIC Stochei	Inspected by COSTEA Costea	Standardisation MUNTEANV Muntean	Date 2018-12-17
HARTING Customised Solutions D-32339 Espelkamp		Title M8 CA shield A-cod st/- m/-		State Final Release	
Type TB	Number 213473008XXXXX	Doc-Key / ECM-Nr. 100714206/UGD/000/B 500000144934		Rev. B	Page 1/1