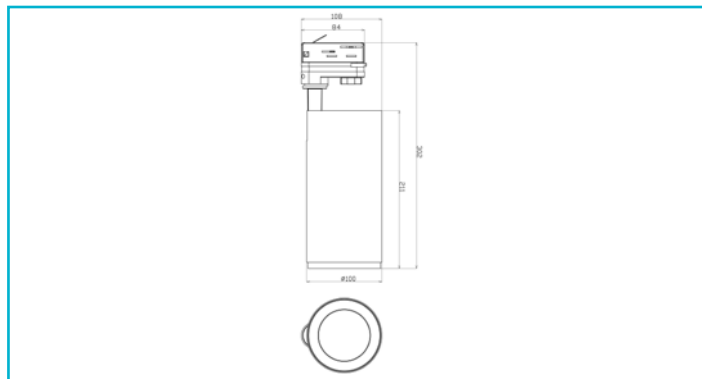


Art. no. 707183

Three-phase spotlight Lucea, Tilt, 40 W, DIM, 4000 K, White

 DEKOLIGHT



Housing Material	Aluminium	IP Protection Class	IP 20
Housing Color	White	Life Time L70 / B50	50000 h
Material of Lens	PMMA	Switching Cycles	100000
Protection Class	Protection class I/protective grounding	Power Consumption	40 kWh/1000h
Rated Input	40 W	Energy Efficiency Class Lightsource	This product contains a light source of energy efficiency class E.
Rated Input Voltage Frequency	200-240 V/AC 50 / 60 Hz		
Power Supply Unit incl.	Yes		
Dimmable	Yes		
Control technology	Leading-edge dimmer, Trailing-edge dimmer		
Motion Detector	No		
Light Source	LED, Light source changeable TC		
Lightcolor	Neutral white		
Color Temperature	4000 K		
Colour Rendering Index (Ra)	90		
Rated Luminous Flux	4480 lm		
Luminous Efficiency	112 lm/W		
Rated Angle of Reflection	36 Degree		
UGR	16		
Swivel Angle	90 Degree		
Rotation Angle	350 Degree		
Light Exit Surfaces	1		
Light characteristics	Direct		
Light direction	Below		
Height	211 mm		
Diameter	100 mm		
Product weight	1183 g		
Working Temperature	-20 to 40 °C		
Storage Temperature	-20 to 65 °C		