

Plug - with cable gland, Multi-Grip



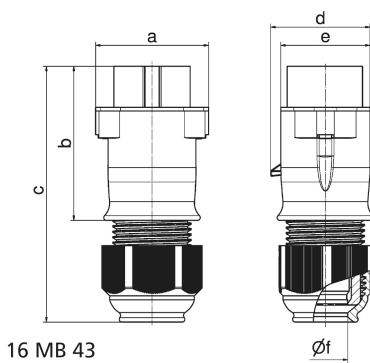
| Product description | |
|---------------------------|------------------------------|
| BALS-Prd.-Nr | 4435 |
| EAN | 4024941044356 |
| Product category | Plug extra-low voltage |
| Current | 32A |
| Number of poles | 2p |
| Arrangement of phases | 2P |
| Position of earth contact | 4 h |
| Voltage | 20 up to 25 and 40 up to 50V |
| Frequency | 100 - 200Hz |

| Product description | |
|------------------------|--|
| Protection degree | IP44 |
| Colour code | green RAL 6002 |
| Colour of appliance | Housing cover grey RAL 7035, Cable gland grey RAL 7035, Collar green RAL 6002 |
| Connection design | with screw terminal |
| Maximum conductor size | 10,0 qmm |
| Cable entry | Cable gland |
| Height | 141mm |
| Width | 62mm |
| Depth | 57mm |
| Material of enclosure | Polyamide |
| Contacts | The contact carrier is made of polyamide, the contacts are brass nickel plated |

| Additional technical properties | |
|---------------------------------|--|
| | Multi-Grip cable gland with gasket and integrated strain relief, For cable diameter from 11 up to max. 23,5 mm |

| Logistics data | |
|----------------|------------------|
| Weight/pcs | 0.125 kg / Piece |
| Packaging | Carton |
| Content amount | 10 ST |
| EAN | 4024941837484 |

| Logistics data | |
|----------------|-----------|
| Length | 248 mm |
| Width | 158 mm |
| Height | 123 mm |
| Weight | 1.347 kg |
| Volume | 3,960 ccm |



| Ampere Polzahl | 16 2 | 16 3 | 32 2 | 32 3 | | | |
|----------------------------|---------|---------|---------|---------|--|--|--|
| a | 62,0 | 62,0 | 62,0 | 62,0 | | | |
| b | 85,0 | 85,0 | 85,0 | 85,0 | | | |
| c | 140,0 | 140,0 | 140,0 | 140,0 | | | |
| d | 55,0 | 55,0 | 55,0 | 55,0 | | | |
| e | 50,0 | 50,0 | 50,0 | 50,0 | | | |
| f Ø | 24,5 | 24,5 | 24,5 | 24,5 | | | |
| Leiter mm ² min | 4 | 4 | 4 | 4 | | | |
| Leiter mm ² max | 10 | 10 | 10 | 10 | | | |
| | | | | | | | |
| | | | | | | | |
| | | | | | | | |

