

Matric-FX

Recessed mounted light line, mounting brackets incl - Direct light distribution

Article code: LFXOEE-830M-L900



Illustrations may only be similar and serve as an orientation.

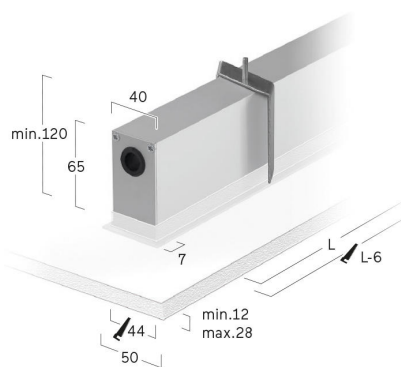
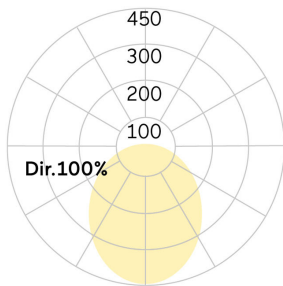
Matric-FX. LED. Recessed mounted light line with surrounding frame for installation in sawn wall and ceiling with cut-out openings. Mounting brackets included. Luminaire body made of high-quality aluminum profile. Surface finish Silver Anodised. Direct only light distribution. Characteristics: Colour temperature: 3000K (Warm White). Colour Rendering Index (CRI): >80. Opal diffuser for enhanced light transmission and perfect uniform illumination. Switchable.

LxWxH (rectangular). L=900mm. W=50mm. H=65mm. Medium-power current. 1281lm. 12W. 2kg. Binning initial <= MacAdam 3. IP20. Protection class I. CE, UKCA marking. IK02. 220-240V. 50-60 Hz. RG0 (EN62471). Luminous flux reduction up to 0,3%/1.000 operating hours. Nominal failure rate: 0,2%/1.000 operating hours. L85B10 (tq 25°C) = 50.000h. 5 years warranty. Manufacturer: Lightnet GmbH, ISO 9001:2015 and 50001:2018 certified.

Matric-FX

Recessed mounted light line, mounting brackets
incl - Direct light distribution

Article code: LFXOEE-830M-L900



Customer / Project: _____

Note: _____

Productname	Matric-FX
Lamp	LED
Installation Type	Recessed mounted light line, mounting brackets incl
Surface finish	Silver Anodised
Light characteristics	Direct light distribution
Colour temperature	3000K
Colour Rendering Index (CRI)	CRI>80
Optical system	Opal diffuser
Control	Switchable
Length L/Diameter D (mm)	L=900mm
Width W (mm)	W=50mm
Height H (mm)	H=65mm
Current/Power	Medium-Power
Luminous Flux	1281lm
Power consumption	12W
Degree of protection	IP20
LED lifetime	L85B10 (tq 25°C) = 50.000h
Photometric code	8 30 / 3 3 9
Photobiological class	RG0 (EN62471)
Indoor/Outdoor	Indoor: ta [ambient] max. 25°C
Weight (kg)	2kg

