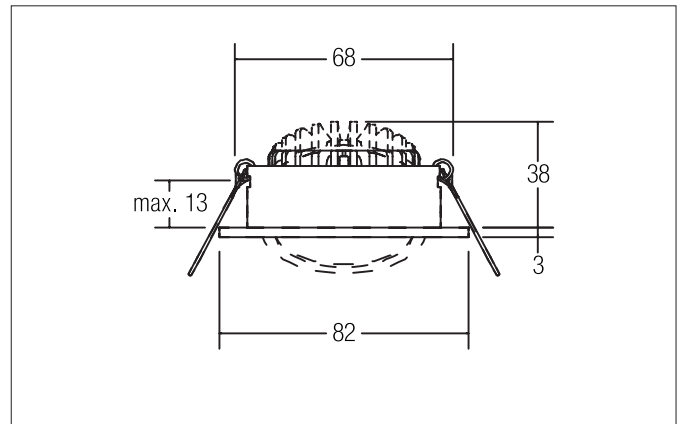


**LOOP-R LED recessed spot set, trailing-edge phase dimmable**

Article no. 39383183

Light.  
For Generations.**Tender**

LED recessed spot set, trailing-edge phase dimmable, Round. Toolless ceiling installation by installation springs. Ceiling cut-out Ø 68 mm, Installation depth 38 mm, Outer diameter 82 mm, Weight 0,163 kg, Reflector silver with rotationssymmetrical, deep, wide distributed light intensity. optimal light distribution due to a plastic, transparent cover. Luminous flux 450 lm, Power 1 x 5 W, System Efficiency 90 lm/W, Light colour warm white, Correlated color temperature (CCT) 3.000 K, Colour rendering index CRI > 90, Housing material: Nylon / Magnesium Hydroxide / Fiberglass, Colour: Black structure, Permissible ambient temperature (ta): -20 °C - +25 °C, Protection class (EN 61140): II, Degree of protection (DIN EN 60529): IP20. With electronic driver, Trailing-edge phase dimmable.

**Product Benefits**

LOOP®- Light Of Ocean Plastic.

The first certified LED recessed luminaire housing made of 100% recycled ocean plastic.

Plastic waste in the ocean is a global catastrophe, so we must do something about it.

We are making an important contribution with the first luminaire whose plastic content is made from 100 percent recycled ocean plastic.

With LOOP®, we are setting new standards for sustainable lighting solutions on the global market, which reflect high quality, functionality and aesthetics. Even the converter housing (L 72 x W 45 x H 23 mm) is also made of recycled ocean plastic.

**LOOP-R LED recessed spot set, trailing-edge phase dimmable**

Article no. 39383183

Light.  
For Generations.

Article data	
Article no.	39383183
GTIN	4251433981978
Series name	LOOP-R
Short description	LED recessed spot set, trailing-edge phase dimmable
Material	Nylon / Magnesium Hydroxide / Fiberglass
Colour	Black
Type of surface	Structure
Shape	Round
Outer diameter	82 mm
Built-in diameter	68 mm
Installation depth	38 mm
Length	82 mm
Width	82 mm
Height	3 mm
Weight	0.163 kg

Lighting technology	
Colour temperature	3.000 K
Light output	Direct
Luminous flux	450 lm/m
System efficiency	90 lm/W
Colour rendering	CRI > 90
Reflector	High-gloss
Reflektorfarbe	silver
Beam angle	38°
Light sharing	Symmetric

Operating technology of the luminaire	
---------------------------------------	--

Operating technology of driver	
--------------------------------	--

Mounting technology	
Mounting method	Recessed mounting
Place of installation	Ceiling-mounted
Adjustability	Pivoted
Swivel angle	20°
Max. ceiling thickness	13 mm
Further references	No cover with thermal insulation material
Material cover	Plastic, transparent
Circlip	Without circlip
Suitable for through-wiring	Yes

Packing data	
Gross weight	0.203 kg
Length of packaging	95 mm
Packaging width	75 mm
Packaging height	95 mm
Disposal at end of life	This product must not be disposed of with household waste. You are obliged, to dispose of such electrical waste separately. By disposing of electrical waste and other old or defective electronics separately, you support recycling or other forms of re-use. In that way you help to take care and to avoid that harmful substances get into the environment.