

1 2 3 4 5 6

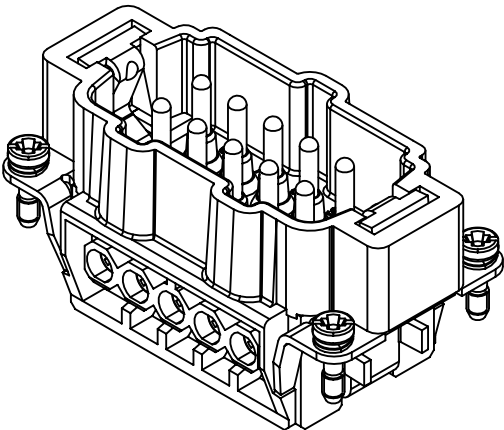
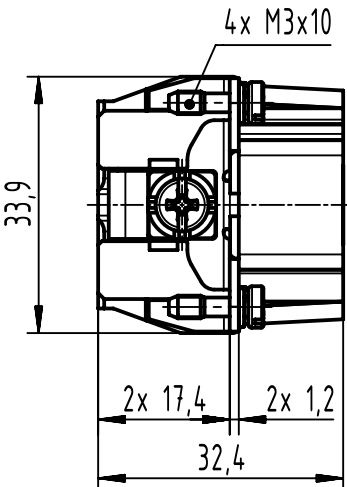
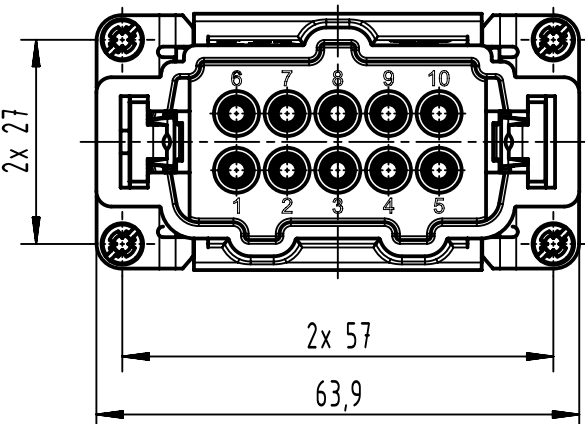
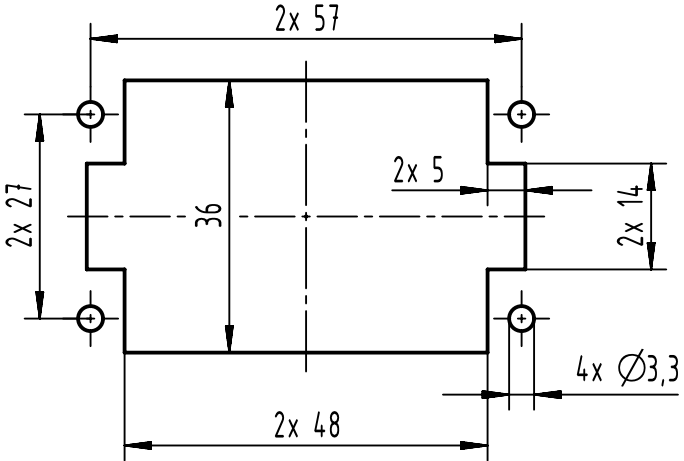
A

B

C

D

panel cut out



	All rights reserved Department EL PD	All Dimensions in mm Original Size DIN A4		Scale 1:1	Free size tol.	Ref.
		HARTING D-32339 Espelkamp	Created by HOLLERT	Inspected by SCHNIEDER	Standardisation SAP_WFRT	Date 2022-06-02
Title Han E 10 Pos. M Insert Screw						Doc-Key / ECM-Nr. 100130164/UGD/008/B 500000218216
Type TB				Number 09 33 010 2601		Rev. B
						Page 1/1