

Wall mounting socket outlet, fused - housing dimension 170x90, with residual current circuit breaker

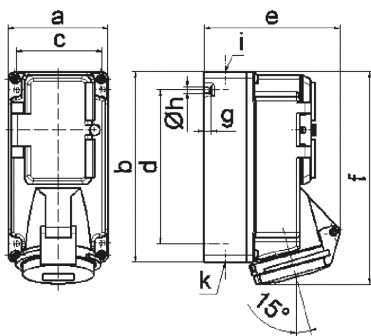


Product description	
BALS-Prd.-Nr	15104
EAN	4024941151047
product category (PG)	Quick-Connect TE wall mounting socket outlet, fused
current (A)	16A
number of poles (P99)	5p
number of poles (P)	3p+N+PE
position of earth contact (H)	9 h
voltage (V)	120/208 up to 144/250V

Product description	
frequency (HZ)	50 and 60Hz
protection degree (SA)	IP44
colour code 1 (KF1)	blue RAL 5015
Colour of appliance	Operating window smoky topaz, Hinged lid blue RAL 5015, Housing bottom grey RAL 7035, Housing top grey RAL 7035
connection design (AT)	screwless spring terminals as cage clamp with Kontex-contact
maximum conductor size (LQ)	4,0 qmm
cable entry (KE)	top entry M20 bottom entry M25/20
Height	190mm
Width	90mm
Depth	122mm
dimension of enclosure (GG)	170x90 mm (HxW)
material of enclosure (GM)	Polycarbonate
contact	The contact carrier is made of high temperature resistant material, the contacts are brass nickel plated

Additional technical properties	
	The cable entry is one at top open and two at bottom closed
	Lower part of housing rotatable by 180°
	With 4 pole 40/0.03A RCCB

Logistics data	
Weight/pcs	0.802 kg / Piece
Packaging	Carton
Content amount	1 ST
EAN	4024941151047
Length	205 mm
Width	102 mm
Height	134 mm
Weight	0.862 kg
Volume	2,118.48 ccm



14 MB 3

Ampere Polzahl	16 3	16 4	16 5			
a	90,0	90,0	90,0			
b	170,0	170,0	170,0			
c	77,0	77,0	77,0			
d	137,5	137,5	137,5			
e	118,0	114,0	121,0			
f	188,5	188,5	190,0			
g	6,0	6,0	6,0			
h ø	5,5	5,5	5,5			
i	M20	M20	M20			
k	M20/25	M20/25	M20/25			