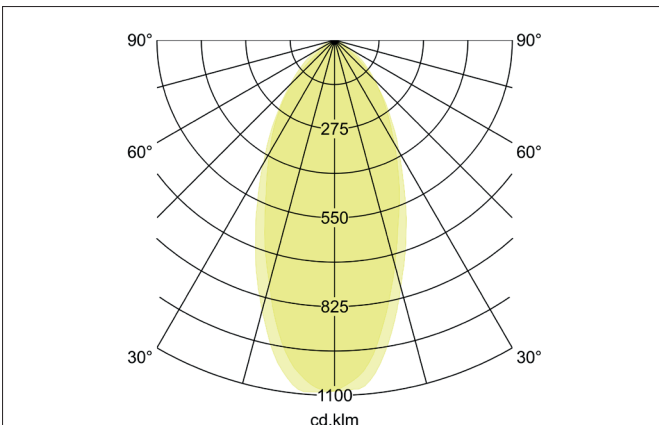
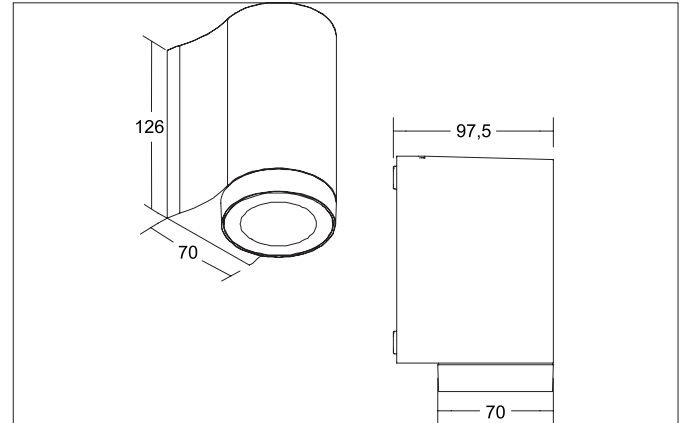


YLIP LED wall surface mounted luminaire, IP65
Article no. 10130183

Light.
For Generations.



Tender

LED wall surface mounted luminaire, IP65, Oval. Luminaire length 140.0 mm, Luminaire width 70.0 mm, Hight 95.0 mm Weight 0.77 kg, with rotationssymmetrical, deep, wide distributed light intensity. optimal light distribution due to a glass transparent cover. Luminous flux 800 lm, Power 1 x 8 W, System Efficiency 100 lm/W, Light colour warm white to daylight white, Correlated color temprature (CCT) 3.000 - 5.700 K, Colour rendering index CRI > 80, Housing material: Aluminium / Glass, Colour: Black, Permissible ambient temperature (ta): -20 to +45°C, Protection class (EN 61140): I, Degree of protection (DIN EN 60529): IP65, shock resistance according to IEC62262: IK06 . With electronic driver, on/off switchable.

Article data	
Article no.	10130183
GTIN	4251433971801
Series name	YLIP
Short description	LED wall surface mounted luminaire, IP65
Material	Aluminium / Glass
Colour	Black
Type of surface	Structure
Shape	Oval
Length	140 mm
Width	70 mm
Hight	95 mm
Scope of delivery	Incl. converter for connection to the 230-V mains voltage, on/off switchable
Weight	0.770 kg

YLIP LED wall surface mounted luminaire, IP65

Article no. 10130183

Light.
For Generations.

Lighting technology	
Colour temperature	3000 K / 4000 K / 5700 K
Light colour	White
Light output	Direct
Luminous flux	800 lm
System efficiency	100 lm/W
Colour rendering	CRI > 80
Luminaire optics	Lens
Reflector	Without
Beam angle	45°
Light sharing	Symmetric

Operating technology of the luminaire	
System output	8 W
Voltage type	AC
AC nominal voltage max	230 V
Frequenz max.	50 Hz
Frequenz min.	50 Hz
Lamp	LED
Protection class	I
Degree of protection	IP65
Ambient temperature	-20 bis +45°C
Control	on/off
Bulb change possible	Yes

Mounting technology	
Mounting method	Surface mounting
Place of installation	Wall-mounted
Adjustability	Not adjustable
Impact resistance	IK06
Material cover	Glass transparent
Suitable for through-wiring	Yes

Packing data	
Gross weight	0.8 kg
Length of packaging	178 mm
Packaging width	105 mm
Packaging height	135 mm
Disposal at end of life	This product must not be disposed of with household waste. You are obliged, to dispose of such electrical waste separately. By disposing of electrical waste and other old or defective electronics separately, you support recycling or other forms of re-use. In that way you help to take care and to avoid that harmful substances get into the environment.