

Wall mounting socket outlet, switched, interlocked - housing dimensions 170x90

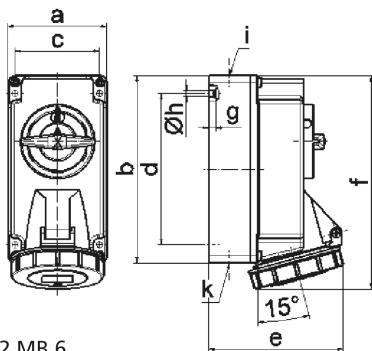


Product description	
BALS-Prd.-Nr	160056
EAN	4024941070300
product category (PG)	TE wall mounting socket outlet, switched, interlocked
current (A)	16A
number of poles (P99)	3p
number of poles (P)	2P+PE
position of earth contact (H)	9 h
voltage (V)	380 up to 415V

Product description	
frequency (HZ)	50 and 60Hz
protection degree (SA)	IP67
colour code 1 (KF1)	red RAL 3000
Colour of appliance	Hinged lid red RAL 3000, Bayonet ring grey RAL 7035, Housing bottom grey RAL 7035, Housing top grey RAL 7035, Control knob grey RAL 7035
connection design (AT)	screwless spring terminals as cage clamp with Kontex-contact
maximum conductor size (LQ)	4,0 qmm
cable entry (KE)	top entry M20 bottom entry M25/20
Height	195mm
Width	90mm
Depth	109mm
dimension of enclosure (GG)	170x90 mm (HxW)
material of enclosure (GM)	Polycarbonate
contact	The contact carrier is made of high temperature resistant material, the contacts are brass nickel plated

Additional technical properties	
	The cable entry is one at top open and two at bottom closed
	In 0-position lockable for 3 padlocks with bow diameter up to 7 mm, Lower part of housing rotatable by 180°

Logistics data	
Weight/pcs	0.595 kg / Piece
Packaging	Carton
Content amount	1 ST
EAN	4024941070300
Length	205 mm
Width	102 mm
Height	134 mm
Weight	0.655 kg
Volume	2,118.48 ccm



12 MB 6

Ampere Polzahl	16 3	16 4	16 5
a	90,0	90,0	90,0
b	170,0	170,0	170,0
c	77,0	77,0	77,0
d	137,5	137,5	137,5
e	108,0	115,0	121,0
f	191,5	191,5	191,5
g	6,0	6,0	6,0
h ø	5,5	5,5	5,5
i	M20	M20	M20
k	M20/25	M20/25	M20/25