

Wall mounting appliance inlet - without closure cap



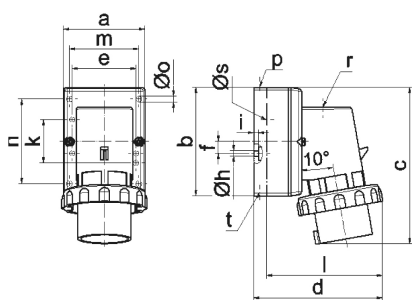
Product description	
BALS-Prd.-Nr	2402
EAN	4024941024020
Product category	Wall mounting appliance inlet
Current	32A
Number of poles	5p
Poles	3p+N+PE
Position of earth contact	6 h
Voltage	200/346 up to 240/415V
Frequency	50 and 60Hz

Product description	
Protection degree	IP67
Colour code	red RAL 3000
Colour of appliance	Collar red RAL 3000, Bayonet ring grey RAL 7035, Housing bottom grey RAL 7035, Housing top grey RAL 7035
Connection design	with screw terminal
Maximum conductor size	6,0 qmm
Cable entry	top entry M25
Height	139mm
Width	100mm
Depth	125mm
Dimension of enclosure	75x90 mm (HxW)
Material of enclosure	Polyamide
Contact	The contact carrier is made of polyamide, the contacts are brass nickel plated

Additional technical properties	
	The cable entry is one at top open and one rear sided closed

Logistics data	
Weight/pcs	0.337 kg / Piece
Packaging	Bag
Content amount	1 ST

Logistics data	
EAN	4024941024020
Length	125 mm
Width	100 mm
Height	139 mm
Weight	0.338 kg
Volume	1,737.5 ccm
Packaging	Carton
Content amount	10 ST
EAN	4024941967679
Length	330 mm
Width	216 mm
Height	260 mm
Weight	3.596 kg
Volume	17,062.5 ccm



5 MB 128

Ampere Polzahl	16 3	16 4	16 5	32 3	32 4	32 5
a	64,0	75,0	84,0	90,0	90,0	90,0
b	87,0	100,0	84,0	75,0	75,0	75,0
c	137,0	151,0	136,0	138,0	138,0	139,0
d	112,0	119,0	-	122,0	122,0	123,0
e	51,0	59,0	-	-	-	-
f	-	11,0	-	-	-	-
h Ø	4,1	5,1	-	-	-	-
i	4,5	4,5	-	-	-	-
k	40,0	-	-	-	-	-
l	-	-	111,0	-	-	-
m	-	-	64,0	78,0	78,0	78,0
n	-	-	64,0	45,0	45,0	45,0
o Ø	-	-	5,5	5,5	5,5	5,5
p	M20	M20	-	-	-	-
r	-	-	M20	M25	M25	M25
s Ø	-	-	23,0	29,0	29,0	29,0
t	für M20	für M20	-	-	-	-