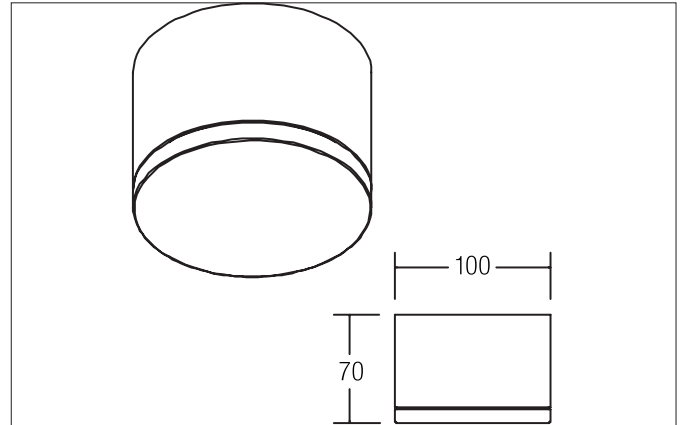


LED surface mounted downlight

Article no. 12068173

Light.
For Generations.**Tender**

LED surface mounted downlight, Round. Luminaire diameter 100.0 mm, Hight 70.0 mm Weight 0.492 kg, with rotattionssymmetrical, deep, wide distributed light intensity. optimal light distribution due to a plastic, opal cover. Luminous flux 600 lm, Power 1 x 12,1 W, System Efficiency 50 lm/W, Light colour warm white, Correlated color temprature (CCT) 3.000 K, Colour rendering index CRI > 80, Housing material: Aluminium, Colour: White, Permissible ambient temperature (ta): -20 °C - +25 °C, Protection class (EN 61140): I, Degree of protection (DIN EN 60529): IP20. With electronic driver, on/off switchable.

Article data	
Article no.	12068173
GTIN	4250047794356
Short description	LED surface mounted downlight
Material	Aluminium
Colour	White
Type of surface	Matt
Shape	Round
Outer diameter	100 mm
Hight	70 mm
Scope of delivery	Incl. converter for connection to the 230-V mains voltage
Weight	0.492 kg

LED surface mounted downlight

Article no. 12068173

Light.
For Generations.

Lighting technology	
Colour temperature	3.000 K
Light colour	White
Light output	Direct
Luminous flux	600 lm
System efficiency	50 lm/W
Colour rendering	CRI > 80
Reflector	Other
Beam angle	120°
Light sharing	Symmetric

Operating technology of the luminaire	
System output	9 W
Voltage type	AC
AC nominal voltage max	220 V
Frequenz max.	50 Hz
Lamp	LED
Protection class	I
Degree of protection	IP20
Control	on/off
Bulb change possible	The light source of this luminaire may only be replaced by the manufacturer or a service technician commissioned by him or a similarly qualified person.

Mounting technology	
Mounting method	Surface mounting
Place of installation	Ceiling-mounted
Adjustability	Not adjustable
Material cover	Plastic, opal

Packing data	
Gross weight	0.524 kg
Length of packaging	110 mm
Packaging width	110 mm
Packaging height	80 mm
Disposal at end of life	This product must not be disposed of with household waste. You are obliged, to dispose of such electrical waste separately. By disposing of electrical waste and other old or defective electronics separately, you support recycling or other forms of re-use. In that way you help to take care and to avoid that harmful substances get into the environment.