

Connector - with screwless terminals, for harsh applications



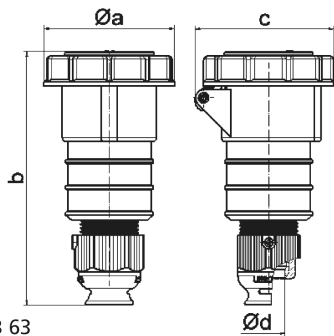
Product description	
BALS-Prd.-Nr	310415
EAN	4024941197496
Product category	Connector QUICK-CONNECT TE
Current	32A
Number of poles	5p
Poles	3p+N+PE
Position of earth contact	2 h
Voltage	> 50V

Product description	
Frequency	over 300 up to 500Hz
Protection degree	IP67
Colour code	green RAL 6002
Colour of appliance	Hinged lid green RAL 6002, Enclosure green RAL 6002, Bayonet ring grey RAL 7035, Cable gland grey RAL 7035
Connection design	screwless spring terminals as cage clamp with Kontex-contact
Maximum conductor size	6,0 qmm
Cable entry	Cable gland
Height	196mm
Width	101.5mm
Depth	106mm
Material of enclosure	Polyamide
Contact	The contact carrier is made of high temperature resistant material, the contacts are brass nickel plated

Additional technical properties	
	For cable diameter from 13 up to max. 27 mm, Multi-Grip cable gland with gasket, integrated cable clamp and additional water evacuation openings

Logistics data	
Weight/pcs	0.42 kg / Piece
Packaging	Bag

Logistics data	
Content amount	1 ST
EAN	4024941197496
Length	106 mm
Width	101.5 mm
Height	196 mm
Weight	0.421 kg
Volume	2,108.764 ccm
Packaging	Carton
Content amount	10 ST
EAN	4024941835275
Length	330 mm
Width	216 mm
Height	260 mm
Weight	4.426 kg
Volume	17,062.5 ccm



Ampere	16	16	16	32	32	32
Polzahl	3	4	5	3	4	5
a ø	70,5	78,0	86,5	94,0	94,0	101,5
b	161,0	161,0	168,0	196,0	196,0	200,0
c	77,0	83,0	93,0	99,0	99,0	107,0
d ø	18,0	18,0	21,0	23,0	23,0	27,0
Leiter mm ² min	1	1	1	2,5	2,5	2,5
Leiter mm ² max	2,5	2,5	2,5	6	6	6

3 MB 63