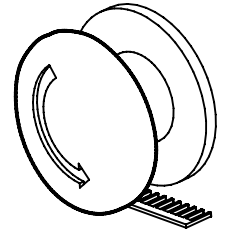
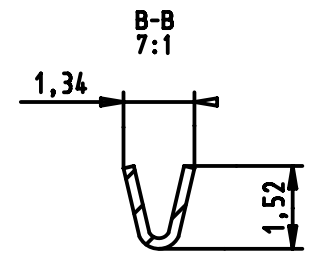
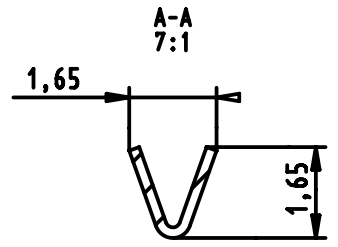
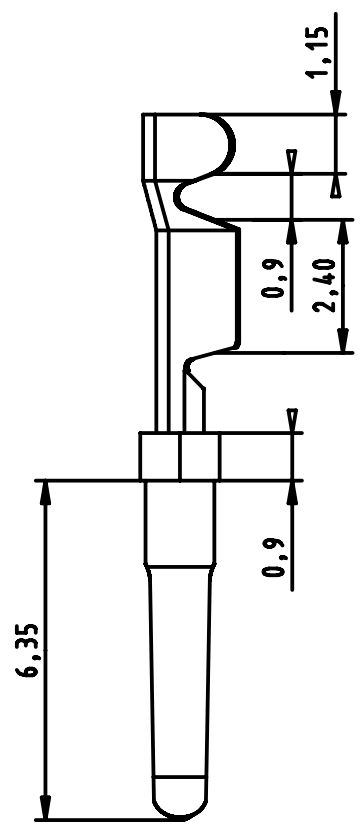
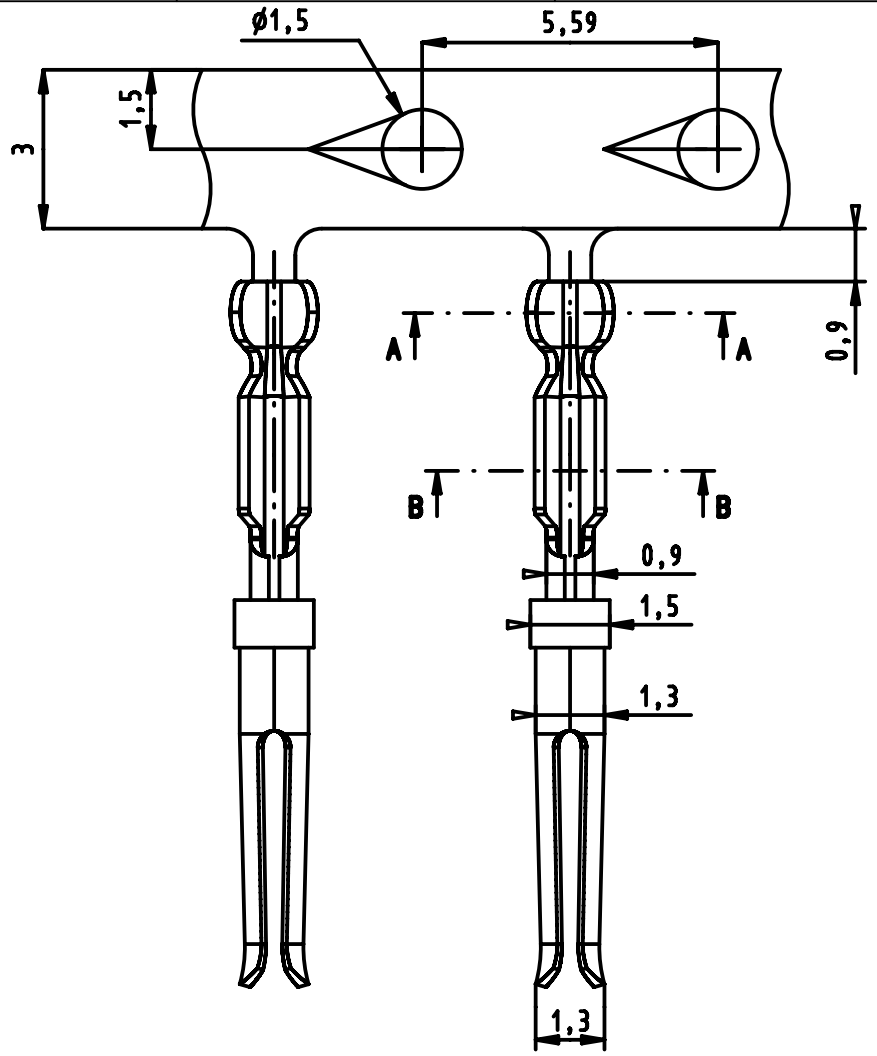



1 2 3 4 5 6



500 pcs reel, unrolling left

09560008265	S4
09560008267	3
Part number	Performance level

	All Dimensions in mm Original Size DIN A4	Scale 5:1	Free size tol.	Ref.
	All rights reserved Department EC PD - FR	Created by DOUGE	Inspected by BAGDIKIAN	Standardisation HOFFMANN
HARTING Electronics GmbH D-32339 Espelkamp	Title D-Sub HD stamped female cont. AWG 24-26	Date 2012-12-14	State Final Release	Doc-Key / ECM-Nr. 100513556/UGD/001/A 50000055151
	Type TB	Number 0956000826X	Rev. A	Page 1/1