

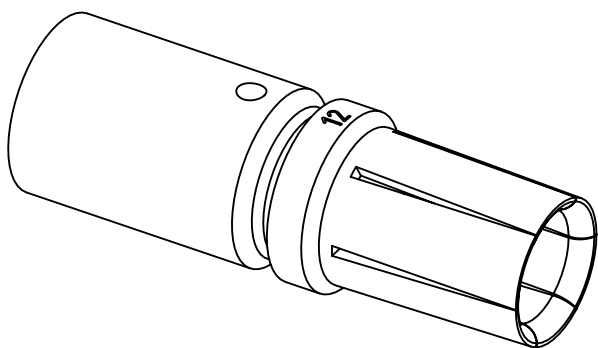
assembly notes see catalog


crimp zone acc. to DIN EN 46235 indicator 12

for stranded fine wire acc. to VDE 0295 class 5/ IEC 60228 class 5

wire gauge: 35mm²

stripping length: 16mm



	All rights reserved Department EL PD	All Dimensions in mm Original Size DIN A4		Scale 2:1	Free size tol.		Ref.		
		Created by HELLMANN		Inspected by NICHTERLEIN		Standardisation SAP_WFRT		Date 2022-10-11	
HARTING D-32339 Espelkamp		Title Han TC100 female contact 35 mm ²						State Final Release	
		Type TB		Number 09 11 000 6235				Doc-Key / ECM-Nr. 100150730/UGD/004/E 500000223389	
						Rev. E		Page 1/1	