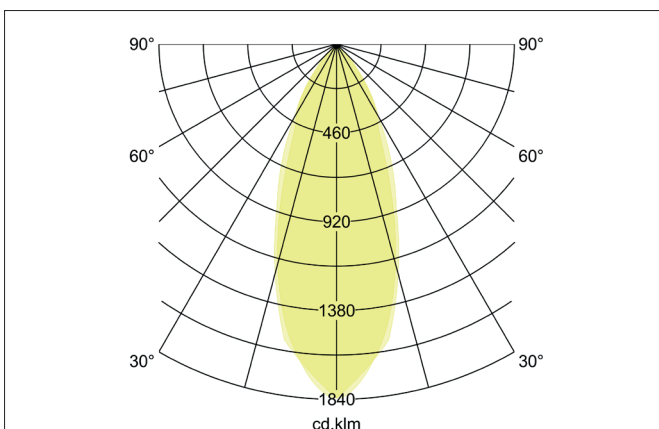
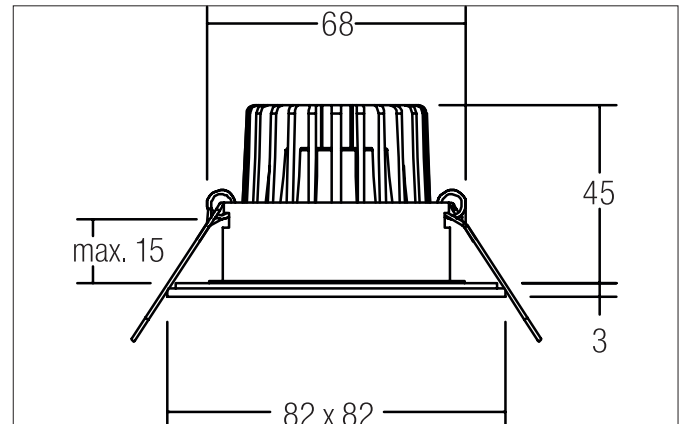


ITANSA-S BB16 LED recessed downlight set, V4A, IP54, trailing-edge phase dimmer (round converter), with connection box
Article no. 40476423

Light.
For Generations.



Tender

LED recessed downlight set, V4A, IP54, trailing-edge phase dimmer (round converter), with connection box, Square. Toolless ceiling installation by installation springs. Ceiling cut-out Ø 68 mm, Installation depth 45 mm, Length 82 mm, Width 82 mm, Weight 0,312 kg, Reflector silver with rotationssymmetrical, deep, wide distributed light intensity. optimal light distribution due to a glass transparent cover. Luminous flux 680 lm, Power 1 x 6 W, Light colour warm white, Correlated color temperature (CCT) 3.000 K, Colour rendering index CRI > 80, Rated life time L80/B20 at 25 °C: 50.000 h, Housing material: Stainless steel / Aluminium / Glass, Colour: Stainless steel, Permissible ambient temperature (ta): -20 °C - +25 °C, Protection class (EN 61140): II, Degree of protection (DIN EN 60529): IP54, .With electronic driver, Trailing-edge phase dimmable.

ITANSA-S BB16 LED recessed downlight set, V4A, IP54, trailing-edge phase dimmer (round converter), with connection box

Article no. 40476423

Light.
For Generations.

Article data	
Article no.	40476423
GTIN	4251433997108
Series name	ITANSA-S BB16
Short description	LED recessed downlight set, V4A, IP54, trailing-edge phase dimmer (round converter), with connection box
Material	Stainless steel / Aluminium / Glass
Colour	Stainless steel
Type of surface	Matt
Shape	Square
Built-in diameter	68 mm
Installation depth	45 mm
Length	82 mm
Width	82 mm
Height	3 mm
Scope of delivery	incl. connection box, 3-pole
Weight	0.312 kg

Lighting technology	
Colour temperature	3.000 K
Light colour	White
Light output	Direct
Luminous flux	680 lm
System efficiency	113 lm/W
Colour rendering	CRI > 80
Reflector	High-gloss
Reflektorfarbe	silver
Beam angle	38°
Light sharing	Symmetric

Operating technology of the luminaire	
Lamp holder	Plug&Play
Power	6 W
Voltage type	DC
Current	350 mA
Lamp	LED
Protection class	III
Degree of protection	IP20

Operating technology of driver	
Power min	4.9 W
Power	7 W
Current	350 mA

Mounting technology	
Mounting method	Recessed mounting
Place of installation	Ceiling-mounted
Adjustability	Not adjustable
Max. ceiling thickness	15 mm
Further references	V4A No cover with thermal insulation material
Material cover	Glass transparent
Suitable for through-wiring	Yes

ITANSA-S BB16 LED recessed downlight set, V4A, IP54, trailing-edge phase dimmer (round converter), with connection box

Article no. 40476423

Light.
For Generations.

Packing data	
Gross weight	0.348 kg
Length of packaging	95 mm
Packaging width	75 mm
Packaging height	95 mm
Disposal at end of life	<p>This product must not be disposed of with household waste. You are obliged, to dispose of such electrical waste separately.</p> <p>By disposing of electrical waste and other old or defective electronics separately, you support recycling or other forms of re-use. In that way you help to take care and to avoid that harmful substances get into the environment.</p>