

Wall mounting appliance inlet - with closure cap



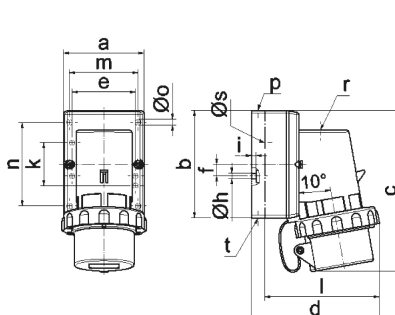
Product description	
BALS-Prd.-Nr	2493
EAN	4024941024938
Product category	Wall mounting appliance inlet
Current	16A
Number of poles	5p
Poles	3p+N+PE
Position of earth contact	4 h
Voltage	57/100 up to 75/130V
Frequency	50 and 60Hz

Product description	
Protection degree	IP67
Colour code	yellow RAL 1012
Colour of appliance	Collar yellow RAL 1012, Closure cap grey RAL 7035, Bayonet ring grey RAL 7035, Housing bottom grey RAL 7035, Housing top grey RAL 7035
Connection design	with screw terminal
Maximum conductor size	2,5 qmm
Cable entry	top entry M20
Height	138mm
Width	88mm
Depth	111mm
Dimension of enclosure	84x84 mm
Material of enclosure	Polyamide
Contact	the contacts are brass nickel plated

Additional technical properties	
	The cable entry is one at top open and one rear sided closed
	With closure cap

Logistics data	
Weight/pcs	0.32 kg / Piece
Packaging	Bag
Content amount	1 ST

Logistics data	
EAN	4024941024938
Length	111 mm
Width	88 mm
Height	138 mm
Weight	0.321 kg
Volume	1,347.984 ccm
Packaging	Carton
Content amount	10 ST
EAN	4024941832830
Length	330 mm
Width	216 mm
Height	260 mm
Weight	3.426 kg
Volume	17,062.5 ccm



5 MB 127

Ampere	16	16	16	32	32	32
Polzahl	3	4	5	3	4	5
a	64,0	75,0	84,0	90,0	90,0	90,0
b	87,0	100,0	84,0	75,0	75,0	75,0
c	137,0	151,0	137,0	147,0	147,0	148,0
d	112,0	119,0	-	122,0	122,0	123,0
e	51,0	59,0	-	-	-	-
f	-	11,0	-	-	-	-
h	4,1	5,1	-	-	-	-
i	4,5	4,5	-	-	-	-
k	40,0	-	-	-	-	-
l	-	-	111,0	-	-	-
m	-	-	64,0	78,0	78,0	78,0
n	-	-	64,0	45,0	45,0	45,0
o	-	-	5,5	5,5	5,5	5,5
p	M20	M20	-	-	-	-
r	-	-	M20	M25	M25	M25
s	-	-	23,0	29,0	29,0	29,0
t	für M20	für M20	-	-	-	-