

Wall mounting appliance inlet - with hinged cover



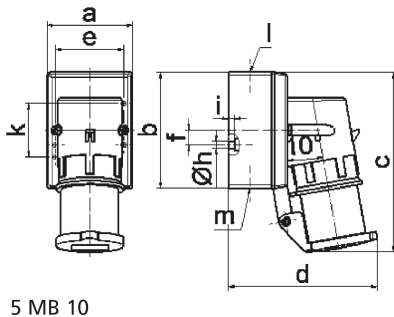
Product description	
BALS-Prd.-Nr	2461
EAN	4024941024617
Product category	Wall mounting appliance inlet
Current	16A
Number of poles	3p
Poles	2P+PE
Position of earth contact	6 h
Voltage	200 up to 250V
Frequency	50 and 60Hz

Product description	
Protection degree	IP44
Colour code	blue RAL 5015
Colour of appliance	Hinged lid grey RAL 7035, Collar blue RAL 5015, Housing bottom grey RAL 7035, Housing top grey RAL 7035
Connection design	with screw terminal
Maximum conductor size	2,5 qmm
Cable entry	top entry M20
Height	135mm
Width	64mm
Depth	112mm
Dimension of enclosure	87x64 mm (HxW)
Material of enclosure	Polyamide
Contact	The contact carrier is made of polyamide, The contacts are brass

Additional technical properties	
	The cable entry is one at top open and one at bottom and one rear side closed
	With hinged lid

Logistics data	
Weight/pcs	0.205 kg / Piece
Packaging	Bag

Logistics data	
Content amount	1 ST
EAN	4024941024617
Length	112 mm
Width	64 mm
Height	135 mm
Weight	0.206 kg
Volume	967.68 ccm
Packaging	Carton
Content amount	10 ST
EAN	4024941967686
Length	258 mm
Width	183 mm
Height	212 mm
Weight	2.202 kg
Volume	8,750 ccm



Ampere	16	16					
Polzahl	3	4					
a	64,0	75,0					
b	87,0	100,0					
c	138,0	150,0					
d	111,0	120,0					
e	51,0	59,0					
f	-	11,0					
h ø	4,1	5,1					
i	4,5	4,5					
k	40,0	-					
l	M20	M20					
m	für M20	für M20					
Leiter mm ² min	1	1					
Leiter mm ² max	2,5	2,5					