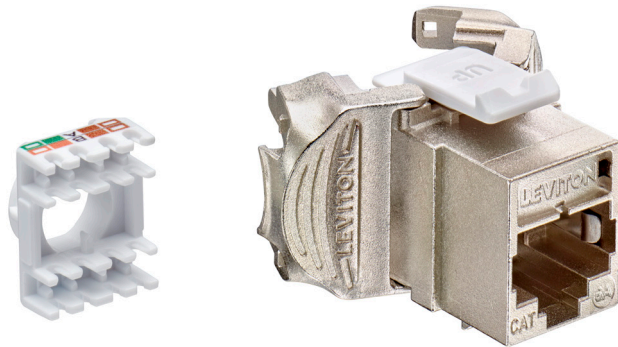


AX0 Cat 6A Shielded Jack

APPLICATION

The AX0 Cat 6A shielded jack supports 10GBASE-T networks and is ideal for applications where excellent protection from EMI/RFI (electromagnetic interference/radio frequency interference) is required and advanced network security is desired. The jack is designed to be used with a variety of Leviton modular panels, wallplates, surface-mount boxes, and QUICKPORT™ compatible products.



SPECIFICATION

The jack shall meet the requirements for channel and component-level electrical transmission performance as described in ANSI/TIA-568.2-D (Cat 6A), ISO/IEC 11801-1 (Class E_A), and EN 50173-1 (Class E_A). The jack shall be compliant with ANSI/TIA-1096-A, c(UL)us Listed, and be independently verified for electrical transmission performance and power delivery. The jack shall be made of die-cast zinc housing to protect from potential EMI/RFI and shall provide 360-degree screen contact. The jack shall support tool-free termination and re-termination and shall not require a specialized termination tool. The modular jack shall fit in a variety of telecommunications wallplates, outlets, and field-configurable patch panels and patch blocks. The jack wiring shall be universal to accommodate T568A and T568B wiring schemes. The jack shall be compatible with interchangeable icons. The jack shall be compliant with IEEE 802.3 PoE Type 1, 2, 3, 4 (100 watts max).

WARRANTY INFORMATION

For Leviton product warranties, go to Leviton.com/ns/support

FEATURES & BENEFITS

- Independently tested and guaranteed to meet component performance
- 360-degree screen provides EMI/RFI protection, signal isolation, and alien crosstalk (AXT) suppression
- Supports tool-free termination/re-termination and requires no specialized termination tool
- Supports a wider range of applications (e.g. shallow boxes, enclosures, and bend radius)
- Terminates from 26- to 22-AWG solid or stranded conductors for use on various cable types
- Withstands 20 re-termination cycles
- Jack contacts are tested for 750 plug-mating cycles to ensure system longevity
- Compatible with interchangeable icons
- Compatible with QUICKPORT™ modular panels, wallplates, and surface-mount boxes

STANDARDS & REGULATIONS

- ANSI/TIA-568.2-D (Cat 6A)
- ISO/IEC 11801-1 (Cat 6A)
- EN 50173-1 (Cat 6A)
- EN 50174-2
- ANSI/TIA-1096-A (formerly FCC Part 68)
- IEC 60603-7 (includes IEC 60512-5-2)
- IEC 60512-99-002
- IEEE 802.3 PoE Type 1, 2, 3, 4 (100 watts max)
- Cisco UPOE, UPOE+ (90 watts max)
- Power over HDBaseT™ PoH (95 watts max)
- c(UL)us Listed (UL1863)
- RoHS 3

MECHANICAL SPECIFICATIONS

Dimensions: See Page 2

Materials: **Jack Body:** Die-cast zinc

Spring-Wire Contacts: High-quality, copper-based alloy (phosphor bronze), plated with 50 microinches of gold over nickel plating for lowest contact resistance and maximum life

Temp. (Storage): -40 °C to +70 °C (-40 °F to +158 °F)

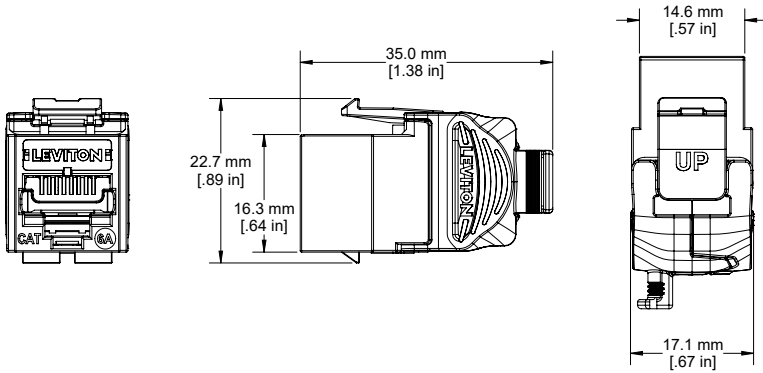
Temp. (Installation): Refer to cable installation temperature

Temp. (Operating): -10 °C to +60 °C (-14 °F to +140 °F)

Humidity (Max.): 95% relative humidity, non-condensing

PRODUCT SPECIFICATIONS
AX6AS-GS6

AX6AS-GS6



PART NUMBER

Description	Part No.
AX0 Cat 6A Shielded Jack	AX6AS-GS6

Icons (ICONS-ICx) can be ordered separately in 72-quantity packs.
x = icon color



For further support information, visit Leviton.com/ns/support

Page 2 of 2

USA
Network Solutions Headquarters
+1 (800) 722 2082
infoUSA@leviton.com

Leviton Cable (formerly Berk-Tek)
+1 (800) 237 5835 | infoUSA@leviton.com

Asia Pacific
+852 3620 2602
infoAPAC@leviton.com

Canada
+1 (800) 461 2002
infoCanada@leviton.com

Europe
+44 (0) 1592 772124
infoEurope@leviton.com

Latin America
MX: +52 (55) 2128 6286
LATAM: +52 (55) 2333 5963
infoLATAM@leviton.com

Middle East & Africa
+971 (4) 247 9800
infoMEA@leviton.com

NETWORK SOLUTIONS PRODUCTS ARE AVAILABLE WORLDWIDE IN OVER 100 COUNTRIES. VISIT US ONLINE AT LEVITON.COM/NS TO LEARN MORE.