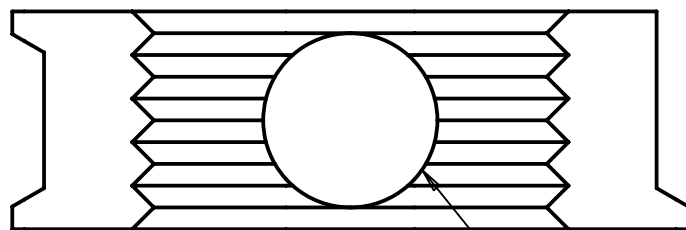
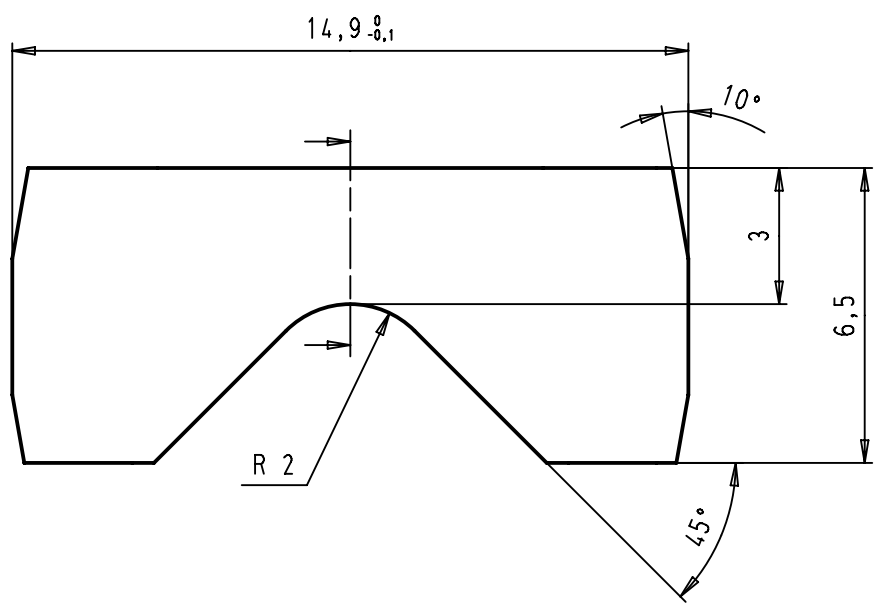


A

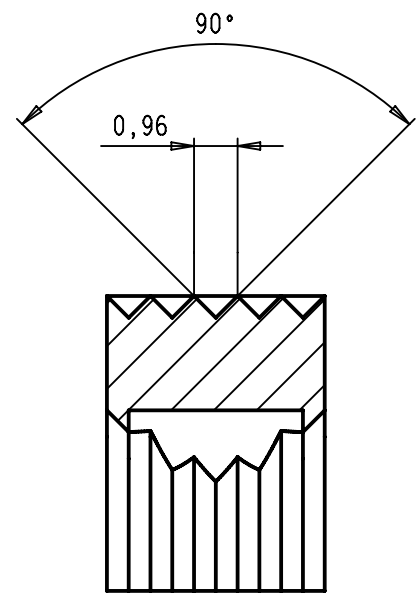


Location of ejector pin

B



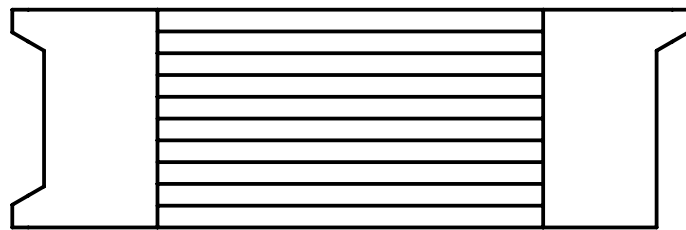
C




To be used with : 09 67 0xx 0425
09 67 0xx 0427

xx = 15, 25, 37.

D



	All Dimensions in mm Original Size DIN A4	Scale 5:1	Free size tol.		Ref.
	All rights reserved Department EC PD - FR	Created by DOUGE	Inspected by BAGDIKIAN	Standardisation HOFFMANN	Date 2012-10-15
HARTING Electronics GmbH D-32339 Espelkamp		Title Metallized insert for D-Sub hood			Doc-Key / ECM-Nr. 100516200/UGD/001/A 500000055786
		Type TB	Number 09670029105		Rev. A Page 1/1