



UniversalGrassCut

18V-26 | 18V-260

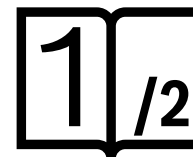
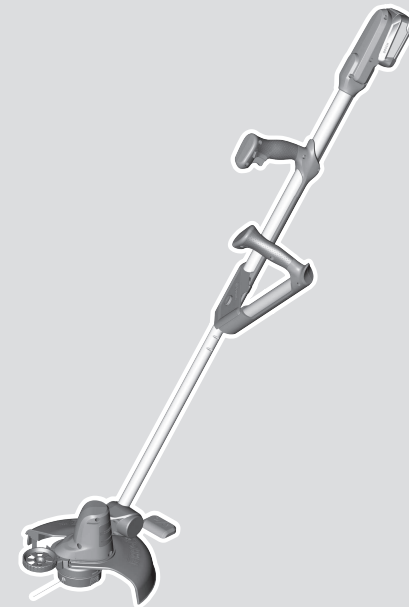
Robert Bosch Power Tools GmbH
70538 Stuttgart
GERMANY

www.bosch-pt.com

F 016 L94 461 (2022.07) 0 / 45



F 016 L94 461



en Original instructions
ar دليل التشغيل الأصلي
fa دفترچه راهنمای اصلی



English Page 3
عربي الصفحة 13
فارسی صفحه 23

CE / UK CA 2/2

English

Safety Notes

- ▶ **Warning! Read all safety warnings and all instructions. Make yourself familiar with the controls and the proper use of the product. Please keep the instructions safe for later use!**

Explanation of symbols on the machine



General hazard safety alert.



Read instruction manual.



Make sure that bystanders are not injured by foreign objects being thrown away.



Warning: Keep a safe distance to the product when operating.



Not applicable.



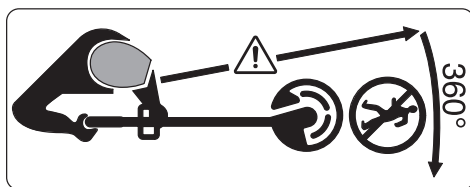
Remove battery before adjusting or cleaning, and before leaving the machine unattended for any period.



Wear eye and ear protection.



Do not use the product in the rain or leave it outdoors when it is raining.



Make sure that bystanders are not injured by foreign objects being hurled away.

Warning: Keep a safe distance from the machine when operating.



Carefully check the area where the tool is to be used for wildlife and pets. Wildlife and pets may be injured while the machine is in operation. Thoroughly check the working area and remove any stones, sticks, wires, bones and foreign objects.

When using the machine, ensure that no wildlife, pets or small tree stumps are hidden in the dense grass.

General Safety Warnings for Trimmers

- ▶ **Read all safety warnings, instructions, illustrations and specifications provided with this machine.** Failure to follow the safety warnings and instructions may result in electric shock, fire and/or serious injury.
- ▶ **Save all safety warnings and instructions for future reference.**
- ▶ The term machine in the warnings refers to your mains-operated (corded) machines or battery-operated (cordless) machines.

Work area safety

- ▶ **Keep work area clean and well lit.** Cluttered or dark areas invite accidents.
- ▶ **Do not operate the machine in explosive atmospheres, such as in the presence of flammable liquids, gases or dust.** Machines create sparks which may ignite the dust or fumes.
- ▶ **Keep children and bystanders away while operating the machine.** Distractions can cause you to lose control over the machine. Never operate the machine while people, especially children or pets, are nearby.

Electrical safety

- ▶ **The plug of the machine must match the outlet. Never modify the plug in any way. Do not use any adapter plugs with earthed (grounded) power tools.** Unmodified plugs and matching outlets will reduce the risk of electric shock.
- ▶ **Avoid body contact with earthed or grounded surfaces, such as pipes, radiators, ranges and refrigerators.** There is an increased risk of electric shock if your body is earthed or grounded.
- ▶ **Do not expose the machine to rain or wet conditions.** Penetration of water in the machine increases the risk of an electric shock.
- ▶ **Never use the cord for carrying, hanging up or unplugging the machine. Keep cord away from heat, oil, sharp edges and moving parts.** Damaged or entangled cords increase the risk of electric shock.
- ▶ **When operating a machine outdoors, use an extension cord suitable for outdoor use.** Use of a cord suitable for outdoor use reduces the risk of electric shock.
- ▶ **When operating the machine in damp environments is unavoidable, use a residual current device (RCD).** The use of a residual current device (RCD) reduces the risk of electric shock.

Personal safety

- ▶ **Stay alert, watch what you are doing and use common sense when operating the machine. Do not use a machine while you are tired or under the influence of drugs, alcohol or medication.** A moment of inattention

while operating the machine may result in serious personal injury.

- ▶ **Wear safety equipment. Always wear eye protection.** Wearing safety equipment such as dusk mask, non-skid safety shoes, hard hat, or hearing protection used for appropriate conditions will reduce personal injuries.
- ▶ **Prevent unintentional starting. Ensure the switch is in the off-position before connecting to power source and/or battery, picking up or carrying the machine.** Carrying machines with your finger on the switch or plugging in machines that have the switch on invites accidents.
- ▶ **Remove any adjusting key or spanner before turning the machine on.** A spanner or a key left attached to a rotating part of the machine may result in personal injury.
- ▶ **Avoid abnormal body posture. Provide for a secure stance and keep your balance at all times; never run.** This enables better control of the machine in unexpected situations.
- ▶ **Dress properly. Do not wear loose clothing or jewellery. Keep your hair and clothing away from moving parts.** Loose clothes, jewellery or long hair can be caught in moving parts. Always wear sturdy footwear and long trousers when operating the machine.
- ▶ **If devices are provided for the connection of dust extraction and collection facilities, ensure these are connected and properly used.** Use of dust collection can reduce dust-related hazards.
- ▶ **Do not assume a false sense of security and disregard the safety regulations for machines, even if familiar with the machine through multiple use.** A careless action can cause severe injury within a fraction of a second.

Use and Handling of the Machine

- ▶ **Do not force the machine. Use the correct machine for your application.** The correct machine will do the job better and safer at the rate for which it was designed.
- ▶ **Do not use the machine if the switch does not turn it on and off.** Any machine that cannot be controlled with the switch is dangerous and must be repaired.
- ▶ **Disconnect the plug from the power source and/or remove the battery pack, if detachable, from the machine before making any adjustments, changing accessories, or storing machines.** Such preventive safety measures reduce the risk of starting the machine accidentally.
- ▶ **Store idle machines out of the reach of children. Do not allow persons unfamiliar with the machine or these instructions to operate the machine.** Trimmers are dangerous in the hands of untrained users.
- ▶ **Maintain trimmers with care. Check for misalignment or binding of moving parts, breakage of parts and any other condition that may affect the operation of the machine. Have damaged parts repaired before using the machine.** Many accidents are caused by poorly maintained machines.

- ▶ **Keep cutting tools sharp and clean.** Properly maintained cutting tools with sharp cutting edges are less likely to bind and are easier to control.
- ▶ **Use the machine, accessories, application tools, etc. according to these instructions. Take the working conditions and the work to be performed into account.** Use of machines for operations different from those intended could result in a hazardous situation.
- ▶ **Keep handles and grasping surfaces dry, clean and free from oil and grease.** Slippery handles and grasping surfaces do not allow for safe handling and control of the machine in unexpected situations.

Battery tool use and care

Remove the battery pack

- whenever the machine is left by the user
- before clearing a blockage
- before checking, cleaning or working on the machine
- after striking a foreign object to inspect the machine for damage
- if the machine starts to vibrate abnormally, for immediately check
- ▶ **Recharge only with the charger specified by the manufacturer.** A charger that is suitable for one type of battery pack may create a risk of fire when used with another battery pack.
- ▶ **Use power tools only with specifically designated battery packs.** Use of any other battery packs may create a risk of injury and fire.
- ▶ **When battery pack is not in use, keep it away from other metal objects, like paper clips, coins, keys, nails, screws or other small metal objects, that can make a connection from one terminal to another.** Shorting the battery terminals together may cause burns or a fire.
- ▶ **Under abusive conditions, liquid may be ejected from the battery; avoid contact. If contact accidentally occurs, flush with water. If liquid contacts eyes, additionally seek medical help.** Liquid ejected from the battery may cause irritation or burns.
- ▶ **Do not use a battery pack or tool that is damaged or modified.** Damaged or modified batteries may exhibit unpredictable behaviour resulting in fire, explosion or risk of injury.
- ▶ **Do not expose a battery pack or tool to fire or excessive temperature.** Exposure to fire or temperature above 130°C may cause explosion.
- ▶ **Follow all charging instructions and do not charge the battery pack or tool outside the temperature range specified in the instructions.** Charging improperly or at temperatures outside the specified range may damage the battery and increase the risk of fire.

Service

- ▶ **Have your machine serviced by a qualified repair person using only identical replacement parts.** This ensures that the safety of your machine is maintained.
- ▶ **Never service damaged battery packs.** Service of battery packs should only be performed by the manufacturer or authorized service providers.

Operation

- ▶ The operator must use the product in accordance with the regulations. The local conditions must be taken into account. When working, pay attention to other people, especially to children.
- ▶ Never allow children, persons with physical, sensory or mental limitations or a lack of experience and/or knowledge and/or people unfamiliar with these instructions to use the machine. Local regulations may restrict the age of the operator.
- ▶ Children should be supervised to ensure that they do not play with the product.

Application

- ▶ **When working with the machine, always hold it firmly with both hands and provide for a secure stance.** The garden tool is guided more secure with both hands.
- ▶ Always wait until the machine has come to a complete stop before placing it down.
- ▶ Never operate the machine with a defective protection guard/cover or without safety device. Ensure that these are properly mounted. Never use the garden tool when incomplete or after unauthorised changes.
- ▶ Never operate the machine if the cord is damaged or worn.
- ▶ Never replace non-metallic cutting elements with metal cutting elements.
- ▶ Never repair the garden tool yourself unless you are qualified to do so.
- ▶ Other persons and animals should remain or be kept a suitable distance away when using the garden tool. The operator is responsible for third parties in the work area.
- ▶ Wait until the cutting head has completely stopped before touching it. The cutting head continues to rotate after the trimmer is switched off; a rotating cutting head can cause injury.
- ▶ Work only in daylight or in good artificial light.
- ▶ Avoid operating the trimmer in bad weather conditions especially when there is a risk of lightning.
- ▶ Operating the trimmer in wet grass decreases the efficiency of performance.
- ▶ When transporting, switch the machine off and remove the battery.
- ▶ Always ensure a safe working position when working with the trimmer. Always keep your hands and feet at a safe distance from rotating parts.

- ▶ Keep the balance all the time while trimming to prevent falling over.
 - ▶ Take care when placing product on floor, as it may become a trip hazard.
 - ▶ Remove the battery before replacing the spool.
 - ▶ Inspect and maintain the trimmer regularly.
 - ▶ Always wear gloves when cleaning product or replacing cutting means.
 - ▶ Be careful of injuries from the blade used for cutting the cutting line. After feeding cutting line, always return the trimmer to a horizontal working position before switching on.
- Switch the machine off and remove the battery.
- whenever you leave the machine unattended for any period of time
 - before replacing the cutting line
 - before cleaning or working on the trimmer
 - before storing the trimmer
- ▶ Store the product in a secure, dry place out of the reach of children. Do not place other objects on top of the product.
 - ▶ Do not use the garden tool as a walking stick.

Recommendations for Optimal Handling of the Battery Pack

- ▶ **Do not open the battery.** There is a risk of short-circuiting.



Protect the battery against heat (e.g., against continuous intense sunlight), fire, water, and moisture. There is a risk of explosion.



- ▶ **In case of damage and improper use of the battery pack, vapours may be emitted.** Ventilate the area and seek medical help in case of complaints. The vapours can irritate the respiratory system.
- ▶ **Only use the battery with products from the manufacturer.** This is the only way in which you can protect the battery against dangerous overload.
- ▶ **The battery can be damaged by pointed objects such as nails or screwdrivers or by force applied externally.** An internal short circuit can occur and the battery can burn, smoke, explode or overheat.
- ▶ **Do not short-circuit the battery.** There is a risk of explosion.
- ▶ Occasionally clean the venting slots of the battery using a soft, clean and dry brush.

Safety Warnings for Battery Chargers



Read all safety warnings and all instructions. Failure to follow the safety warnings and instructions may result in electric shock, fire and/or serious injury.

Save all safety warnings and instructions for future reference.

- ▶ Use the battery charger only when you fully understand and can perform all functions without limitation, or have received appropriate instructions.
- ▶ Never allow children, persons with physical, sensory or mental limitations or a lack of experience and/or knowledge and/or people unfamiliar with these instructions to use the battery charger. Local regulations may restrict the age of the operator.
- ▶ **Supervise children at all times.** This will ensure that children do not play with the battery charger.
- ▶ Charge only Bosch lithium-ion batteries with a capacity above **1.5 Ah** (with at least **5** rechargeable battery cells). The battery voltage must match the battery charging voltage of the charger. Do not charge non-rechargeable batteries. Otherwise there is a danger of fire and explosion.















Keep the battery charger away from rain or moisture. Penetration of water in the battery charger increases the risk of an electric shock.

- ▶ **Keep the charger clean.** Dirt poses a risk of electric shock.
- ▶ **Always check the charger, cable and plug before use. Stop using the charger if you discover any damage. Do not open the charger yourself, and have it repaired only by a qualified specialist using only original replacement parts.** Damaged chargers, cables and plugs increase the risk of electric shock.
- ▶ **Do not operate the charger on an easily ignited surface (e.g. paper, textiles, etc.) or in a flammable environment.** There is a risk of fire due to the charger heating up during operation.
- ▶ **Do not cover the ventilation slots of the battery charger.** Otherwise, the battery charger can overheat and no longer operate properly.
- ▶ For increased electrical safety, we recommend using a residual current device with a max. tripping current of 30 mA. Before using, always check your residual current device.

Symbols

The following symbols are important for reading and understanding the original instructions. Please take note of the symbols and their meaning. The correct interpretation of the symbols will help you to use the product in a better and safer manner.

Symbol	Meaning
	Wear protective gloves
	Movement direction
	Reaction direction

Symbol	Meaning
	Weight
	Switching On
	Switching Off
	Permitted action
	Prohibited action
CLICK!	Audible noise
	Accessories/Spare Parts
	Recommended position for grass cutting
	Recommended position for edge trimming
	Recommended position for cutting under bushes

Intended Use

The garden tool is intended for domestic use, for trimming grass, weeds and nettles. It is designed for trimming grass growing on slopes, under obstacles and lawn edges that cannot be reached by the lawn mower. The garden tool is not designed for use as a brush cutter. The garden tool is not intended for commercial or industrial use.

Deliver scope (see figure B)

Carefully remove the machine from its packaging and check if the following parts are complete:

- Grass trimmer
- Protection guard
- Wheel
- Battery**
- Charger**
- Original instructions

When parts are missing or damaged, please contact your dealer.

** country specific

Product Features (see figure A)

The numbering of the product features refers to the illustration of the product on the graphics pages.

- (1) Battery unlocking button

- (2) Battery^{a)}
- (3) Folding handle
- (4) Foot pedal for adjusting the working angle for lawn trimming/edge cutting
- (5) Protection guard
- (6) Wheel
- (7) Handle-adjustment release
- (8) On/Off switch
- (9) Lock-off button for On/Off switch
- (10) Button for adjustment of the working height
- (11) Lever

- (12) Charger^{a)}
- (13) Spool cover
- (14) Spool
- (15) Hole for line wind-up
- (16) Clamping ring
- (17) Hook for threading-in the cutting line
- (18) Slot for line guiding
- (19) Hole for line guiding

a) **Accessories shown or described are not included with the product as standard. You can find the complete selection of accessories in our accessories range.**

Technical Data

Lawn Trimmer/Lawn Edge Trimmer		UniversalGrassCut 18V-260	UniversalGrassCut 18V-26
Article number		3 600 HC1 D..	3 600 HC1 E.. 3 600 HC1 D03
Rated voltage	V=	18	18
No-load speed	min ⁻¹	7300	7300
Cutting line diameter	mm	1.6	1.6
Cutting diameter	cm	26	26
Cutting spool capacity	m	6	6
Height adjustment	cm	120 – 140	120 – 140
Folding handle		●	●
Edge cutting		●	●
Plant protector/Wheel		●	●
Weight according to EPTA-Procedure 01:2014	kg	2.3	2.3
Set (with battery)	kg	2.7	2.7
Serial number		see type plate on garden tool	
Recommended ambient temperature during charging	°C	0 ... +35	0 ... +35
Permitted ambient temperature during operation ^{A)} and storage	°C	-20 ... +50	-20 ... +50
Battery Type		PBA 18V...W- 1,5 Ah, 2,0 Ah, 2,5 Ah, 4,0 Ah, 6,0 Ah	PBA 18V...W- 1,5 Ah, 2,0 Ah, 2,5 Ah, 4,0 Ah, 6,0 Ah

A) Limited performance at temperatures < 0 °C

Charger		AL 1810 CV	AL 18V-20	AL 1830 CV	AL 1880 CV
Charging current	A	1.0	2.0	3.0	8.0
Charging period (battery discharged)					
- Battery with 1.5 Ah	min	94	50	33	27
- Battery with 2.0 Ah	min	124	65	45	30
- Battery with 2.5 Ah	min	154	95	60	36
- Battery with 4.0 Ah	min	244	125	95	35
- Battery with 6.0 Ah	min	364	150	130	62

Charger		AL 1810 CV	AL 18V-20	AL 1830 CV	AL 1880 CV
Weight according to EPTA-Procedure 01:2014	kg	0.17	0.48	0.40	0.60
Protection class		□/II	□/II	□/II	□/II

Noise/Vibration Information

Lawn trimming

Edge cutting

Noise emission values determined according to **EN 50636-2-91**.

Typically the A-weighted noise levels of the product are:

– Sound pressure level	dB(A)	77	76.5
– Sound power level	dB(A)	87	89
– Uncertainty K	dB	= 3	= 3

– Vibration emission value a_h	m/s^2	7	7
– Uncertainty K	m/s^2	= 1.5	= 1.5

The vibration level given in these instructions has been measured in accordance with a standardised measuring procedure and may be used to compare power tools. It can also be used for a preliminary estimation of exposure to vibration.

The stated vibration level applies to the main applications of the power tool. However, if the power tool is used for different applications, with different application tools or poorly maintained, the vibration level may differ. This can significantly increase the exposure to vibration over the total working period.

To estimate the exposure to vibration accurately, the times when the tool is switched off or when it is running but not actually being used should also be taken into account. This can significantly reduce the exposure to vibration over the total working period.

Implement additional safety measures to protect the operator from the effects of vibration, such as servicing the power tool and application tools, keeping the hands warm, and organising workflows correctly.

Mounting and Operation

Action	Figure	Page
Product Features	A	34
Delivery scope	B	35
Mounting the protection guard	C	35
Adjusting the working height	D	36
Folding out the handle	E	37
Mounting the wheel	F	37
Battery charging and inserting	G	38
Switching On and Off	H	38
Recommended position for grass cutting	I	39

Action	Figure	Page
Recommended position for edge trimming	J	40
Recommended position for cutting under bushes	K	41
Removing the line spool	L	42
Winding line on spool	M	43
Mounting the line spool	N	44
Maintenance, Cleaning and Storage	O	44
Accessories	P	45

Assembly

► **Caution: Switch the garden tool off and remove the battery before performing any maintenance.**

Mounting the protection guard (see figure C)

Slide the protection guard (5) onto the trimmer head until a click can be heard. Affix the protection guard (5) to the trimmer with the screw. The screw is already fitted to the bottom housing upon delivery.

Never use the trimmer without the protection guard (5) mounted. After mounting, the protection guard (5) may not be removed from the trimmer.

Adjusting the working height (see figure D)

Press button (10) and adjust the trimmer to the desired height. Release button (10).

Always use the trimmer in a working position, never in the storage position. The storage position is when the trimmer is fully retracted. When adjusting the working position, make sure that the mechanism for height adjustment is properly locked. A click can be heard when the mechanism engages.

Folding out the handle (see figure E)

Press and hold button (7), fold out the handle (3) to the stop and then release button (7). Make sure that the handle (3) is properly locked. Do not put the pressure on the handle (3) while adjusting it.

Mounting the wheel (see figure F)

Mount wheel (6) to the trimmer head. Observe correct position of the arrows on the trimmer head. Ensure that the hook engages properly in the tab. Turn the wheel (6) against the trimmer head until the lever (11) can be heard to engage with a click.

To remove, pull lever (11) until it disengages and remove the wheel (6) in opposite direction.

Switching on

- **Caution: Switch garden tool off and remove battery from machine before adjusting or cleaning.**

Charging the Battery

- **Pay attention to the mains voltage.** The voltage of the power source must match the voltage specified on the rating plate of the charger.

The battery is equipped with temperature monitoring that allows charging only in the temperature range between 0 °C and 35 °C. In this manner, a high battery service life is achieved.

Note: The battery is supplied partially charged. To ensure full battery capacity, completely charge the battery in the battery charger before using for the first time.

The lithium-ion battery can be charged at any time without reducing its service life. Interrupting the charging procedure does not cause damage to the battery.

The “Electronic Cell Protection (ECP)” protects the lithium-ion battery against deep discharging. When the battery is empty, the product is switched off by means of a protective circuit: The product no longer operates.

Do not continue to press the On/Off switch after an automatic shut-off of the product. The battery could become damaged.

Observe the notes for disposal of the battery.

Inserting/Removing the Battery (see figure G)

Note: Using unsuitable batteries can lead to malfunctions or damage the machine.

Insert the charged battery (2). Ensure the battery is inserted correctly.

To remove the battery (2) from the machine, press the battery unlocking button (1) and pull the battery out.

Charging Procedure

The charging procedure starts as soon as the mains plug of the charger is plugged into a socket outlet and the battery (2) is inserted onto the charger (12).

Due to the intelligent charging method, the charging condition of the battery is automatically detected and the battery is charged with the optimum charging current, depending on battery temperature and voltage.

This gives longer life to the battery and always leaves it fully charged when kept in the charger for storage.

Meaning of the Indication Elements (AL 1810)

Flashing battery charge indicator



The charging process is indicated by the **flashing** of the battery charge indicator.

Solid light on battery charge indicator



A **solid light** on the battery charge indicator signals that the battery is fully charged or that the temperature of the battery is not within the permitted charging temperature range, and can therefore not be charged. The battery is charged as soon as the allowable charging temperature range is reached.

When the battery is not inserted, a **solid light** on the battery charge indicator signals that the mains plug is inserted in the plug socket and that the charger is ready for operation.

Meaning of the Indication Elements (AL 1830 CV)

(Fast) Flashing of the Green Battery Charge Indicator



The rapid-charging procedure is indicated by **fast flashing** of the **green** battery charge indicator.

Note: The rapid-charging procedure is only possible when the battery temperature is within the allowable charging temperature range, see section “Technical Data”.

(Slow) Flashing of the Green Battery Charge Indicator



When the charging condition of the battery is 80%, the **green** battery charge indicator **flashes slowly**.

The battery can be removed for immediate use.

Continuous Lighting of the Green Battery Charge Indicator



Continuous lighting of the **green** battery charge indicator indicates that the battery is fully charged.

When the battery is not inserted, **continuous lighting** of the battery charge indicator indicates that the mains plug is inserted in the socket outlet and that the battery charger is ready for operation.

Continuous Lighting of the Red Battery Charge Indicator



Continuous lighting of the **red** battery charge indicator indicates that the temperature of the battery is not within the allowable charging temperature range, see section “Technical Data”. As soon as the allowable charging temperature range is reached, the battery charger automatically switches to rapid charging.

Flashing Red Battery Charge Indicator



A **flashing red** battery charge indicator indicates a different malfunction of the charging procedure, see section "Troubleshooting – Causes and Corrective Measures".

Operation

- ▶ **Caution: Switch the garden tool off and remove the battery before performing any maintenance.**
- ▶ **The cutting line continues to rotate for a few seconds after the trimmer is switched off. Allow the motor/cutting line to stop rotating before switching on again.**
- ▶ **Do not briefly switch off and on again several times in a row.**
- ▶ **Only use Bosch approved cutting elements. Cutting performance will vary with different cutting elements.**

Switching On and Off (see figure H)

To **switch on**, firstly press the lock-off button (9). Then press the On/Off switch (8) and keep it pressed.

To **switch off**, release the On/Off switch (8).

Lawn Trimming/Edge Cutting (see figures I – K)

Lawn trimming (see figure I)

Press the foot pedal (4) and set the 48° angle for lawn trimming.

Move the trimmer left and right, keeping it well away from the body. Cut higher grass in steps.

Edge cutting (see figure J)

Press the foot pedal (4) and set the 36° angle for edge cutting. Rotate the handle by 180° and then turn the trimmer clockwise to the desired working position.

Guide the trimmer along the edge of the lawn. By using the wheel, you avoid contact with solid surfaces or walls to prevent rapid wear of the cutting line.

Cutting around trees and bushes (see figure K)

Press the foot pedal (4) and set the 24° angle for cutting around trees and bushes.

Carefully cut around trees and bushes so that they do not come into contact with the cutting line. Plants can die if you damage the bark.

Dismounting the spool, winding up the cutting line and mounting the spool (see figures N to L)

- ▶ Remove the battery before replacing the spool.

Press both latches of the spool cover together and remove the spool cover (13). Afterwards, remove the empty spool (14).

Cut off approx. 6 m line from the refill roll. Thread the end of the line into the spool's hole for line wind-up (15). Thread/work the line under the hook (17). Then, thread/work the line up and through the slot (18) in the spool. Afterwards, wind up the thread on the spool uniformly and tightly.

Slide the other end of the cutting line through the hole for line guiding (19) in the trimmer head and mount the spool back into the trimmer head. Affix the spool by mounting the spool cover (13).

The spool cover (13) can only be mounted in one position.

Line Feeding

IntelliFEED

The trimmer is equipped with the IntelliFEED system, which automatically rolls off the line to retain the cutting diameter.

Troubleshooting



Lawn trimmer/Edge cutter

Problem	Possible Cause	Corrective Measure
Motor refuses to start	Battery discharged	Recharge battery.
	Battery too hot/cold	Allow to cool/warm.
Garden tool functions intermittently	On/Off switch defective	Contact Bosch customer service agent.
	Internal wiring of garden tool defective	Contact Bosch customer service agent.
Garden product labours	Grass too high	Cut in stages.
Garden tool does not cut	Cutting line too short/broken off	Manually feed cutting line.
	Spool empty	Replace line spool.
Cutting line can no longer be fed	Line inside the spool entangled	Inspect the spool, rewind if necessary.
	Spool empty	Refill line spool.
	Incorrect winding	Rewind the spool.

Problem	Possible Cause	Corrective Measure
	Excessive line	Shorten line to correct length.
Line entangled	Problems with the line feed system	Contact Bosch customer service agent.
Line retracts into spool	Cutting line too short/broken off	Remove spool – rethread line (see figures L – N).
Line breaks frequently	Line inside the spool entangled	Remove spool – rewind line (see figures L – N).
	Trimmer used incorrectly	Only trim with the tip of the line, avoid touching stones, walls and other hard objects. Feed the line regularly to maintain full cutting diameter.
Trimmer vibrates abnormally	Clamping ring or spool cover not mounted to spool	Mount clamping ring or spool cover onto spool.
	Clamping ring incorrectly positioned	Reposition clamping ring.
	Cutting system damaged	Contact Bosch customer service agent.
	Clamping ring worn	Purchase new spool accessory with clamping ring.

Battery and charger

Problem	Possible Cause	Corrective Measure
Flashing red battery charge indicator No charging procedure possible	Battery not (properly) inserted	Properly insert battery in charger.
	Battery contacts contaminated	Clean the battery contacts (e. g. by inserting and removing the battery several times) or replace the battery.
	Battery defective	Replace the battery.
Battery charge indicators do not light up	Mains plug of battery charger not plugged in (properly)	Insert mains plug (fully) into the socket outlet.
	Socket outlet, mains cable or battery charger defective	Check the mains voltage; have the battery charger checked by an authorised after-sales service agent for Bosch power tools.

Maintenance and Service

Maintenance, Cleaning and Storage

- ▶ **Before any work on the garden product itself (e. g. maintenance, tool change, etc.) as well as during transport and storage, remove the battery from the garden product.** There is danger of injury when unintentionally actuating the On/Off switch.
- ▶ **For safe and proper working, always keep the product clean.**

Do not place other objects on the garden product.

To ensure safe and efficient operation, always keep the product and the ventilation slots clean.

Never spray the product with water.

Never immerse the product in water.

Store the product in a secure, dry place, out of the reach of children.

Do not place other objects on the product.

Keep all nuts, bolts and screws tight to ensure safe working with the product.

Inspect the product and replace worn or damaged parts for safety.

Ensure replacement parts fitted are Bosch-approved.

Battery Maintenance

Use the following procedures to enable optimum usage of the battery:

- Protect the battery against moisture and water.
- Store the machine and battery only within a temperature range between $-20\text{ }^{\circ}\text{C}$ and $50\text{ }^{\circ}\text{C}$. As an example, do not leave the battery in the car in summer.
- It is recommended that the battery is not stored within the product but stored separately.
- Do not leave the battery in the product in direct sunlight.
- The ideal storage condition for the battery is $5\text{ }^{\circ}\text{C}$.
- Occasionally clean the venting slots of the battery using a soft, clean and dry brush.

A significantly reduced working period after charging indicates that the battery is used and must be replaced.

After-Sales Service and Application Service

Our after-sales service responds to your questions concerning maintenance and repair of your product as well as spare parts. You can find explosion drawings and information on spare parts at: **www.bosch-pt.com**

The Bosch product use advice team will be happy to help you with any questions about our products and their accessories.

In all correspondence and spare parts orders, please always include the 10-digit article number given on the nameplate of the product.

Great Britain

Robert Bosch Ltd. (B.S.C.)
P.O. Box 98
Broadwater Park
North Orbital Road
Denham Uxbridge
UB 9 5HJ

At www.bosch-pt.co.uk you can order spare parts or arrange the collection of a product in need of servicing or repair.

Tel. Service: (0344) 7360109

E-Mail: boschservicecentre@bosch.com

You can find further service addresses at:

www.bosch-pt.com/serviceaddresses

Transport

The recommended lithium-ion batteries are subject to legislation on the transport of dangerous goods. The user can transport the batteries by road without further requirements.

When shipping by third parties (e.g.: by air transport or forwarding agency), special requirements on packaging and labelling must be observed. For preparation of the item being shipped, consulting an expert for hazardous material is required.

Dispatch battery packs only when the housing is undamaged. Tape or mask off open contacts and pack up the battery in such a manner that it cannot move around in the packaging. Please also observe the possibility of more detailed national regulations.

Disposal



The product, batteries, accessories and packaging should be sorted for environmental-friendly recycling.



Do not dispose of the product and batteries/rechargeable batteries into household waste!

Only for EU countries:

According to the European Guideline 2012/19/EU, products that are no longer usable, and according to the European Guideline 2006/66/EC, defective or used battery packs/batteries, must be collected separately and disposed of in an environmentally correct manner.

If disposed incorrectly, waste electrical and electronic equipment may have harmful effects on the environment and human health, due to the potential presence of hazardous substances.

Battery packs/batteries:

Li-ion:

Please observe the notes in the section on transport (see "Transport", page 12).

Battery packs/batteries:

► **Integrated batteries may only be removed for disposal by qualified personnel.** Opening the housing shell can damage or destroy the machine.

Do not dispose of battery packs/batteries into household waste, fire or water. Battery packs/batteries should, if possible, be discharged, collected, recycled or disposed of in an environmental-friendly manner.

Only for United Kingdom:

According to The Waste Electrical and Electronic Equipment Regulations 2013 (SI 2013/3113) (as amended) and the Waste Batteries and Accumulators Regulations 2009 (SI 2009/890) (as amended), products that are no longer usable must be collected separately and disposed of in an environmentally friendly manner.

والمنزلية أثناء تشغيل الجهاز. افحص مجال استخدام الجهاز جيداً وقم بإزالة جميع الأحجار وعيدان الخشب والأسلاك والعظام والأجسام الغريبة. عند استخدام الجهاز، تأكد من عدم وجود الحيوانات المتوحشة والمنزلية وجزوع الأشجار الصغيرة في العشب الكثيف.

الإرشادات العامة للأمان بالعدد الكهربائية

- اطلع على كافة تحذيرات الأمان والتعليمات والصور ومواصفات المرفقة بالعدة الكهربائية. عدم اتباع التعليمات الواردة أدناه قد يؤدي إلى حدوث صدمة كهربائية، إلى نشوب حريق و/أو الإصابة بجروح خطيرة.
- احتفظ بجميع الملاحظات التحذيرية والتعليمات للمستقبل.
- يقصد بمصطلح «العدة الكهربائية» المستخدم في الملاحظات التحذيرية، العدد الكهربائية الموصولة بالشبكة الكهربائية (بواسطة كابل الشبكة الكهربائية) وأيضاً العدد الكهربائية المزودة بمركم (دون كابل الشبكة الكهربائية).

الأمان بمكان الشغل

- حافظ على نظافة مكان شغلك وإضاءته بشكل جيد. الفوضى في مكان الشغل ونطاقات العمل غير المضاءة قد تؤدي إلى وقوع الحوادث.
- لا تتشغل بالعدة الكهربائية في نطاق معرض لخطر الانفجار مثل الأماكن التي تتوفر فيه السوائل أو الغازات أو الأعبرة القابلة للاشتعال. العدد الكهربائية تولد شرراً قد يتطاير، فيشعل الأعبرة والأبفرة.
- حافظ على بقاء الأطفال وغيرهم من الأشخاص بعيداً عندما تستعمل العدة الكهربائية. تشتيت الانتباه قد يتسبب في فقدان السيطرة على الجهاز.

الأمان الكهربائي

- يجب أن يتلائم قابس العدة الكهربائية مع المقبس. لا يجوز تغيير القابس بأي حال من الأحوال. لا تستعمل القوايس المهيئة مع العدد الكهربائية المؤرضة (ذات طرف أرضي). تخفض القوايس التي لم يتم تغييرها والمقابس الملائمة من خطر الصدمات الكهربائية.
- تجنب ملامسة جسمك للأسطح المؤرضة كالأنابيب والمبردات والمواقد أو التلجيات. يزداد خطر الصدمات الكهربائية عندما يكون جسمك مؤرض أو موصل بالأرضي.
- أبعد العدة الكهربائية عن الأمطار أو الرطوبة. يزداد خطر الصدمات الكهربائية إن تسرب الماء إلى داخل العدة الكهربائية.
- لا تسئ استعمال الكابل. لا تستخدم الكابل في حمل العدة الكهربائية أو سحبها أو سحب القابس من المقبس. احرص على إبعاد الكابل عن الحرارة والزيت والمواف الحادة أو الأجزاء المتحركة. تزيد الكابلات التالفة أو المتشابكة من خطر الصدمات الكهربائية.

عربي

ملاحظات الأمان

تنبيه! اقرأ التعليمات التالية بإمعان. تمّرس على استخدام عناصر الاستخدام وعلى الاستعمال المخصص للجهاز. يرجى الاحتفاظ بتعليمات التشغيل هذه بمكان آمن للرجوع إليها في المستقبل.

شرح الرموز على جهاز الحديقة

ملاحظة خطر عامة.



اقرأ تعليمات التشغيل هذه.



احرص على عدم إصابة الأشخاص المتواجدين بالجوار بسبب الأجسام الخارجية المتطايرة.



تحذير: حافظ على مسافة آمنة تبعك عن الجهاز عند التشغيل.



غير صحيح.



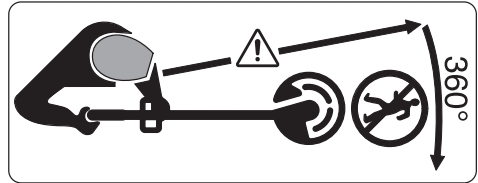
فك المركم قبل البدء بأعمال الضبط أو التنظيف بجهاز الحديقة أو إن بقي جهاز الحديقة دون مراقبة لفترة طويلة.



ارتد واقية سمع ونظارات واقية.



لا تستعمل الجهاز أثناء هطول الأمطار ولا تعرضه للمطر.



احرص على عدم إصابة الأشخاص المتواجدين بالجوار بسبب الأجسام الخارجية المتطايرة. تحذير: حافظ على إبقاء الأشخاص على بعد آمن عن جهاز الحديقة إن كانوا واقفين على مقربة منه.

افحص المجال الذي تريد استخدام جهاز الحديقة فيه جيداً للتأكد من عدم وجود الحيوانات المتوحشة والمنزلية فيه. وجود احتمال جرح الحيوانات المتوحشة



حسن معاملة واستخدام العدد الكهربائي

- ◀ لا تفرط بتحميل الجهاز. استخدم لتنفيذ أشغالك العدد الكهربائي المخصصة لذلك. إنك تعمل بشكل أفضل وأكثر أماناً بواسطة العدد الكهربائي الملائمة في مجال الأداء المذكور.
 - ◀ لا تستخدم العدد الكهربائي إن كان مفتاح تشغيلها تالف. العدد الكهربائي التي لم يعد من الممكن التحكم بها عن طريق مفتاح التشغيل والإطفاء تعتبر خطيرة ويجب أن يتم إصلاحها.
 - ◀ اسحب القابس من المقبس و/أو اخلع المرمك، إذا كان قابلاً للخلع، قبل ضبط الجهاز وقبل استبدال الملحقات أو قبل تخزين الجهاز. تمنع هذه الإجراءات وقائية تشغيل العدد الكهربائي بشكل غير مقصود.
 - ◀ احتفظ بالعدد الكهربائي التي لا يتم استخدامها بعيداً عن متناول الأطفال. لا تسمح باستخدام العدد الكهربائي لمن لا خبرة له بها أو لمن لم يقرأ تلك التعليمات. العدد الكهربائي خطيرة إن تم استخدامها من قبل أشخاص دون خبرة.
 - ◀ اعتن بالعدد الكهربائي والملحقات بشكل جيد. تأكد أن أجزاء الجهاز المتحركة مركبة بشكل سليم وغير مستعصبة عن الحركة، وتفحص ما إن كانت هناك أجزاء مكسورة أو في حالة تؤثر على سلامة أداء العدد الكهربائي. ينبغي إصلاح هذه الأجزاء التالفة قبل إعادة تشغيل الجهاز. الكثير من الحوادث مصدرها العدد الكهربائي التي تتم صيانتها بشكل رديء.
 - ◀ احرص على إبقاء عدد القطع نظيفة وحادة. إن عدد القطع ذات حواف القطع المادة التي تم صيانتها بعناية تتكلم بشكل أقل ويمكن توجيهها بشكل أسير.
 - ◀ استخدم العدد الكهربائي والتوابع وريش الشغل إلخ. وفقاً لهذه التعليمات. تراعى أثناء ذلك ظروف الشغل والعمل المراد تنفيذه. استخدام العدد الكهربائي لغير الأشغال المخصصة لأجلها قد يؤدي إلى حدوث الحلات الخطيرة.
 - ◀ احرص على إبقاء المقابض وأسطح المسك جافة ونظيفة وخالية من الزيوت والشحوم. المقابض وأسطح المسك الزلقة لا تتبع التشغيل والتحكم الآمن في العدد في المواقف غير المتوقعة.
- ## حسن معاملة واستخدام العدد المزودة بمرمك
- فك المرمك:
- إذا ترك المستخدم الجهاز
 - قبل تصليح أية إعاقة
 - قبل فحص، تنظيف أو تنفيذ الأعمال على الجهاز
 - في حالة ضرب الجهاز بقطعة غريبة. في هذه الحالة تأكد أيضاً من عدم تلف الجهاز.
 - إذا بدأ الجهاز بالاهتزاز فجأة. في هذه الحالة افحص الجهاز.

- ◀ عند استخدام العدد الكهربائي خارج المنزل اقتصِر على استخدام كابلات التمديد الصالحة للاستعمال الخارجي. يقلل استعمال كابل تمديد مخصص للاستعمال الخارجي من خطر الصدمات الكهربائية.
- ◀ إن لم يكن بالإمكان تجنب تشغيل العدد الكهربائي في الأجواء الرطبة، فاستخدم مفتاح للوقاية من التيار المتخلف. إن استخدام مفتاح للوقاية من التيار المتخلف يقلل خطر الصدمات الكهربائية.

أمان الأشخاص

- ◀ كن يقظاً وانتبه إلى ما تفعله واستخدم العدد الكهربائي بتعقل. لا تستخدم عدة كهربائية عندما تكون متعباً أو عندما تكون تحت تأثير المخدرات أو الكحول أو الأدوية. عدم الانتباه للحظة واحدة عند استخدام العدد الكهربائي قد يؤدي إلى إصابات خطيرة.
- ◀ قم لارتداء تجهيزات الحماية الشخصية. وارتد دائماً نظارات واقية. يحد ارتداء تجهيزات الحماية الشخصية، كقناع الوقاية من الغبار وأذية الأمان الواقية من الانزلاق والخوذ أو واقية الأذنين، حسب ظروف استعمال العدد الكهربائي، من خطر الإصابة بجروح.
- ◀ تجنب التشغيل بشكل غير مقصود. تأكد من كون العدد الكهربائي مطفأة قبل توصيلها بالتيار الكهربائي و/أو بالمرمك، وقبل رفعها أو حملها. إن كنت تضع إصبعك على المفتاح أثناء حمل العدد الكهربائي أو إن وصلت الجهاز بالشبكة الكهربائية بينما لامفتاح على وضع التشغيل، قد يؤدي إلى وقوع الحوادث.
- ◀ انزع أداة الضبط أو مفتاح الربط قبل تشغيل العدد الكهربائي. قد تؤدي الأداة أو المفتاح المتواجد في جزء دوار من الجهاز إلى الإصابة بجروح.
- ◀ تجنب أوضاع الجسم غير الطبيعية. قف بأمان وحافظ على توازنك دائماً. سيسم لك ذلك بالتحكم في الجهاز بشكل أفضل في المواقف الغير متوقعة.
- ◀ قم بارتداء ثياب مناسبة. لا ترتد الثياب الفضفاضة أو الحلى. احرص على إبقاء الشعر والملابس بعيداً عن الأجزاء المتحركة. قد تتشابك الثياب الفضفاضة والحلى والشعر الطويل بالأجزاء المتحركة.
- ◀ إن جاز تركيب تجهيزات شفط وتجميع الغبار، فتأكد من أنها موصولة وبأنه يتم استخدامها بشكل سليم. قد يقلل استخدام تجهيزات لشفط الغبار من المخاطر الناتجة عن الغبار.
- ◀ لا تستخدم العدد الكهربائي بلا مبالاة وتتجاهل قواعد الأمان الخاصة بها نتيجة لتعودك على استخدام العدد الكهربائي وكثرة استخدامها. فقد يتسبب الاستخدام دون حرص في حدوث إصابة بالغة تحدث في أجزاء من الثانية.

الاستخدام

- ◀ **امسك جهاز الحديقة أثناء العمل بواسطة كلتا اليدين واحرص على الوقوف بثبات.** يتم توجيه جهاز الحديقة بواسطة اليدين اللائتين بأمان أكبر.
- ◀ انتظر ليتوقف جهاز الحديقة عن الحركة قبل أن تركنه.
- ◀ لا تشغل جهاز الحديقة أبداً إذا كان غطاء الوقاية أو الأغشية الأخرى تالفة أو بدون تجهيزات الأمان. انتبه لتركيبتها الصحيح. لا تستخدم جهاز الحديقة أبداً إذا كان غير كاملاً أو إذا تمت التغييرات غير المسموحة عليه.
- ◀ لا تقوم بتشغيل الجهاز إن كان الكبل تالف أو مستهلك.
- ◀ لا تستبدل أبداً عناصر القص غير المعدنية بعناصر قص معدنية.
- ◀ لا تقوم بأعمال التصليح على جهاز الحديقة بنفسك إلا إذا كنت مؤهل لهذا النوع من الأعمال.
- ◀ عند استخدام الجهاز يجب ان يبقى الأشخاص الآخرين والميوانات على بعد مناسب عنه.
- ◀ المستخدم مسؤول عن الأطراف الثالثة في مجال العمل.
- ◀ انتظر إلى أن يتوقف رأس القص عن الحركة بشكل كامل قبل أن تلمسه. يتابع رأس القص دورانه بعد الإطفاء وقد يؤدي إلى حدوث الإصابات.
- ◀ اشغل أثناء ضوء النهار فقط أو بالإضاءة الاصطناعية الجيدة.
- ◀ لا تشغل بواسطة مشدبة العشب إن كانت ظروف الطقس رديئة ولا سيما عند بدء العواصف.
- ◀ استخدام مشدبة العشب للعثب الرطب قد يؤثر على قدرة عمل المشدبة.
- ◀ عند النقل اطفئ جهاز الحديقة وفك المرمك.
- ◀ عند العمل بالمشدبة تأكد دائماً من مكان ووقوفك الأمين. احتفظ بيديك وقدميك على بعد أمين من الأجزاء الدوارة.
- ◀ كن في وضع متوازن عند العمل من أجل تجنب السقوط.
- ◀ انتبه الا تتعثر على جهاز الحديقة عندما تضعه على الأرض.
- ◀ فك المرمك قبل استبدال الليفة.
- ◀ افحص وصن المشدبة بشكل منتظم.
- ◀ ارتد قفازات واقية دائماً عند تنظيف الجهاز وعند استبدال خيط القص.
- ◀ احذر من الإصابة بالجروح من السكنية التي يتم قطع الخيط بها. اقل المشدبة بعد المليء/التغذية بخيط القص دائماً إلى وضع العمل الأفقي قبل أن تقوم بتشغيلها.
- ◀ اطفئ جهاز الحديقة وفك المرمك:
- دائماً إن كنت ستترك جهاز الحديقة لبعض الوقت بلا مراقبة
- قبل استبدال الليفة
- قبل التنظيف أو إن كانت هناك أعمال ستتم على مشدبة العشب
- قبل تخزين مشدبة العشب
- ◀ احتفظ بالجهاز بمكان جاف ومغلق وبعيدا عن منال الأطفال. لا تترك أية أغراض أخرى على الجهاز.

- ◀ **اشحن المراكم فقط بأجهزة الشحن التي ينصح المنتج باستخدامها.** يتشكل خطر الاحتراق لجهاز الشحن المخصص لنوع معين من المراكم إن تم استخدامه مع نوع آخر منها.
- ◀ **استخدم الأجهزة فقط مع المراكم المصممة لهذا الغرض.** قد يؤدي استخدام غيرها من المراكم إلى الاحتراق وإلى خطر اندلاع النار.
- ◀ **حافظ على إبعاد المرمك الذي لا يتم استعماله عن مشابك الورق وقطع النقود المعدنية والمفاتيح والمسامير واللواب أو غيرها من الأغراض المعدنية الصغيرة التي قد تقوم بتوصيل الملامسين ببعضهما البعض.** قد يؤدي تقصير الدارة الكهربائية بين ملامسي المرمك إلى الاحتراق أو إلى اندلاع النار.
- ◀ **قد يتسرب السائل من المرمك عند سوء الاستعمال.** تجنب ملامسته. اشطفه بالماء عند ملامسته صدفة. راجع الطبيب إضافة عن ذلك إن وصل السائل إلى العينين. إن سائل المراكم المتسرب قد يؤدي إلى إثارة البشرة أو إلى المروق.
- ◀ **لا تستخدم عدة أو مرمك تعرضاً لأضرار أو للتعديل.** البطاريات المتعرضة لأضرار أو لتعديلات قد ينتج عنها أشياء لا يمكن التنبؤ بها، قد تسبب نشوب حريق أو حدوث انفجار أو إصابات.
- ◀ **لا تعرض المرمك أو العدة لنار أو درجة حرارة زائدة.** التعرض للنار أو لحرارة أعلى من 130 درجة مئوية قد يتسبب في الانفجار.
- ◀ **اتبع تعليمات الشحن ولا تقم بشحن المرمك أو العدة خارج نطاق درجة الحرارة المحدد في التعليمات.** الشحن بشكل غير صحيح أو في درجات حرارة خارج النطاق المحدد قد يعرض المرمك لأضرار ويزيد من مخاطر الحريق.

الخدمة

- ◀ **احرص على إصلاح عدتك الكهربائية فقط بواسطة العمال المتخصصين وباستعمال قطع الغيار الأصلية فقط.** يضمن ذلك المحافظة على أمان الجهاز.
- ◀ **لا تقم بإجراء أعمال خدمة على المراكم التالفة.** أعمال الخدمة على المراكم يجب أن تقوم بها الجهة الصانعة فقط أو مقدم الخدمة المعتمد.

التشغيل

- ◀ يجوز أن يتم تشغيل الجهاز من قبل المستمخ فقط طبقاً للاستعمال المخصص. ينبغي مراعاة ظروف مكان التشغيل. انتبه إلى الأشخاص الآخرين ولا سيما الأطفال أثناء أداء العمل.
- ◀ لا تسمح للأطفال أو للأشخاص ذوي المقدرات الجسدية أو الحسية أو العقلية المحدودة أو القليلي الخبرة و/أو المعدومي المعرفة و/أو للأشخاص الغير مطلعين على التعليمات هذه أبداً أن يستعملوا جهاز الحديقة. يجوز أن تحد الأحكام الوطنية من سن المستخدم.
- ◀ ينبغي مراقبة الأطفال لضمان عدم لعبهم بالجهاز.

- ◀ لا تستخدم الجهاز باعتباره عصاً.
- ◀ **ملاحظات لمعاملة المرمك بشكل مثالي**
- ◀ لا تفتح المرمك. يتشكل خطر تقصير الدائرة الكهربائية.
- ◀ احم المرمك من الحرارة، بما فيه أيضاً التعرض لأشعة الشمس باستمرار مثلاً ومن النار، والماء والرطوبة. قد يتشكل خطر الانفجار.
- ◀ **قد تسرب الأبخرة عند تلف المرمك واستخدامه بطريقة غير سليمة.** أمن امداد المكان بالهواء النقي وراجع الطبيب في حال الإصابة. إن الأبخرة قد تهيج المجاري التنفسية.
- ◀ **اقتصر على استخدام المرمك في منتجات الجهة الصانعة.** يتم حماية المرمك من فُرط التخميل الخطير بهذه الطريقة فقط دون غيرها.
- ◀ **يمكن أن يتعرض المرمك لأضرار من خلال الأشياء المعدنية مثل المسامير والمفكات أو من خلال تأثير القوى الخارجية.** وقد يؤدي هذا إلى تقصير الدائرة الكهربائية الداخلية واحتراق المرمك أو خروج الأبخرة منه أو انفجاره وتعرضه لسخونة مفرطة.
- ◀ **لا تقوم بتقصير الدارة الكهربائية بالمرمك.** يتشكل خطر الانفجار.
- ◀ نظف شقوق التهوية بالمرمك من فترة لأخرى بواسطة فرشاة طرية ونظيفة وجافة.
- ◀ **لا تقم بتشغيل جهاز الشحن على أرضية سهلة الاشتعال (مثل الورق والمنسوجات وما شابه) أو في بيئة قابلة للاشتعال.** حيث ينشأ خطر اندلاع حريق نتيجة للسخونة المتولدة بجهاز الشحن عند الشحن.
- ◀ **لا تغطي فتحة تهوية جهاز الشحن.** يمكن أن يتعرض جهاز الشحن لسخونة مفرطة ولا يعمل بعد ذلك بشكل سليم.
- ◀ **لزيادة الأمان الكهربائي ننصح باستخدام قاطع أمان للتيار الكهربائي يفصل عند حد أقصى 30 ميلي أمبير في حال ارتفاع قيمة التيار بالخطأ.** افحص قاطع الأمان للتيار دائماً قبل الاستعمال.

الرموز

قد تكون الرموز التالية ذات أهمية من أجل قراءة وفهم تعليمات التشغيل. يرجى حفظ الرموز ومعناها. يساعدك تفسير الرموز بشكل صحيح على استعمال الجهاز بطريقة أفضل وأكثر أماناً.

الرمز	المعنى
	ارتد قفازات واقية
	اتجاه الحركة
	جهة رد الفعل
	الوزن
	التشغيل
	الإطفاء
	تصرف مسموح
	عمل ممنوع
	الصوت المسموع
	التوايح/قطع الغيار

- ◀ لا تستخدم الجهاز باعتباره عصاً.
- ◀ **ملاحظات لمعاملة المرمك بشكل مثالي**
- ◀ لا تفتح المرمك. يتشكل خطر تقصير الدائرة الكهربائية.
- ◀ احم المرمك من الحرارة، بما فيه أيضاً التعرض لأشعة الشمس باستمرار مثلاً ومن النار، والماء والرطوبة. قد يتشكل خطر الانفجار.
- ◀ **قد تسرب الأبخرة عند تلف المرمك واستخدامه بطريقة غير سليمة.** أمن امداد المكان بالهواء النقي وراجع الطبيب في حال الإصابة. إن الأبخرة قد تهيج المجاري التنفسية.
- ◀ **اقتصر على استخدام المرمك في منتجات الجهة الصانعة.** يتم حماية المرمك من فُرط التخميل الخطير بهذه الطريقة فقط دون غيرها.
- ◀ **يمكن أن يتعرض المرمك لأضرار من خلال الأشياء المعدنية مثل المسامير والمفكات أو من خلال تأثير القوى الخارجية.** وقد يؤدي هذا إلى تقصير الدائرة الكهربائية الداخلية واحتراق المرمك أو خروج الأبخرة منه أو انفجاره وتعرضه لسخونة مفرطة.
- ◀ **لا تقوم بتقصير الدارة الكهربائية بالمرمك.** يتشكل خطر الانفجار.
- ◀ نظف شقوق التهوية بالمرمك من فترة لأخرى بواسطة فرشاة طرية ونظيفة وجافة.

◀ **تعليمات الأمان لأجهزة الشحن**

اقرأ جميع ملاحظات الأمان و التعليمات. إن التقصير عند تطبيق ملاحظات الأمان والتعليمات قد يؤدي إلى الصدمات الكهربائية واندلاع الحرائق و/أو الإصابة بجروح خطيرة.

- ◀ **احفظ جميع ملاحظات الأمان والتعليمات للمستقبل.**
- ◀ استخدم جهاز الشحن فقط إن كان بإمكانك أن تقدر كامل وظائفه بشكل تام وكان بإمكانك إن تنفذها كاملة وكنت قد استلمت التعليمات الموافقة.
- ◀ لا تسمح للأطفال أو للأشخاص ذوي المقدرات الجسدية أو المسية أو العقلية المحدودة أو القليلي الخبرة و/أو المعدومي المعرفة و/أو للأشخاص الغير مطلعين على التعليمات هذه أبدا أن يستعملوا جهاز الشحن. يجوز أن تحد الأحكام الوطنية من سن المستخدم.
- ◀ **راقب الأطفال.** لضمان عدم عبث الأطفال بجهاز الشحن.
- ◀ لا تشحن إلا مراكم أيونات الليثيوم من Bosch بدءاً من السعة 1,5 أمبير ساعة (بدءاً من 5 خلايا مراكم). يجب أن يلائم جهد المراكم جهد شحن المرمك الخاص بجهاز الشحن. لا تقم بشحن مراكم غير قابلة لإعادة الشحن. يتشكل خطر نشوب الحرائق والانفجار في حال عدم التقيد بذلك.

تعليمات الأمان لأجهزة الشحن

اقرأ جميع ملاحظات الأمان و التعليمات. إن التقصير عند تطبيق ملاحظات الأمان والتعليمات قد يؤدي إلى الصدمات الكهربائية واندلاع الحرائق و/أو الإصابة بجروح خطيرة.

- ◀ **احفظ جميع ملاحظات الأمان والتعليمات للمستقبل.**
- ◀ استخدم جهاز الشحن فقط إن كان بإمكانك أن تقدر كامل وظائفه بشكل تام وكان بإمكانك إن تنفذها كاملة وكنت قد استلمت التعليمات الموافقة.
- ◀ لا تسمح للأطفال أو للأشخاص ذوي المقدرات الجسدية أو المسية أو العقلية المحدودة أو القليلي الخبرة و/أو المعدومي المعرفة و/أو للأشخاص الغير مطلعين على التعليمات هذه أبدا أن يستعملوا جهاز الشحن. يجوز أن تحد الأحكام الوطنية من سن المستخدم.
- ◀ **راقب الأطفال.** لضمان عدم عبث الأطفال بجهاز الشحن.
- ◀ لا تشحن إلا مراكم أيونات الليثيوم من Bosch بدءاً من السعة 1,5 أمبير ساعة (بدءاً من 5 خلايا مراكم). يجب أن يلائم جهد المراكم جهد شحن المرمك الخاص بجهاز الشحن. لا تقم بشحن مراكم غير قابلة لإعادة الشحن. يتشكل خطر نشوب الحرائق والانفجار في حال عدم التقيد بذلك.
- ◀ **احم جهاز الشحن من الأمطار والرطوبة.** يزيد تسرب الماء إلى داخل جهاز الشحن من أخطار الصدمات الكهربائية.




يرجى الاتصال بالتاجر إن كانت بعض القطع غير موجودة أو تالفة.
** حسب البلد

الأجزاء المصورة (راجع الصورة (A)

يستند ترفيم الأجزاء المصورة إلى رسوم الجهاز الموجودة في صفحات الرسوم التخطيطية.

- (1) زر فك إقفال المركم
- (2) مركم^a
- (3) مقبض قابل للطّي
- (4) دواسة لضبط زاوية العمل لتشذيب العشب/قص حافات العشب
- (5) غطاء الوقاية
- (6) عجلة
- (7) صامولة فك إقفال ضبط المقبض اليدوي
- (8) مفتاح التشغيل والإطفاء
- (9) قفل تشغيل مفتاح التشغيل والإطفاء
- (10) زر ضبط ارتفاع العمل
- (11) ذراع
- (12) جهاز الشحن^a
- (13) غطاء الليفة
- (14) الليفة
- (15) فتحة إدخال الخيط
- (16) حلقة شد
- (17) خطاف لإدخال الخيط
- (18) فتحة توجيه الخيط
- (19) ثقب توجيه الخيط

(a) لا يتضمن إطار التوريد الاعتيادي التوابع المصورة أو المشروحة. تجد التوابع الكاملة في برنامجنا للتوابع.

الرمز	المعنى
	الوضع المنصوح به لتشذيب العشب
	الوضع المنصوح به لقص حافات العشب
	الوضع المنصوح به لتشذيب العشب تحت الجنبات/الدكات

الاستعمال المخصص

تم تصميم جهاز الحديقة للاستخدام المنزلي لتشذيب العشب والمشيش والقصاص. تم تطويره لتشذيب العشب الموجود على المنحدرات وتحت الحواجز وفي الحافات، أي الأماكن التي لا يمكن الوصول إليها بماكينة المش. لم يتم تصميم جهاز الحديقة للاستخدام باعتباره محشاة آلية. لم يُصنع جهاز الحديقة للاستخدام التجاري أو الصناعي.

نطاق التوريد (راجع الصورة B)

أخرج جهاز الحديقة من التغليف بحذر وافحص إن كانت القطع التالية كاملة:

- مشدبة العشب
- غطاء الوقاية
- عجلة
- المركم**
- جهاز الشحن**
- تعليمات التشغيل

البيانات الفنية

UniversalGrassCut 18V-26	UniversalGrassCut 18V-260	مشدبة العشب/مشدبة حافات العشب	رقم الصنف
3 600 HC1 E..	3 600 HC1 D..		
3 600 HC1 D03			
18	18	فولط =	الجهد الاسمي
7300	7300	دقيقة ¹⁾	عدد الدوران الاحملي
1,6	1,6	ملم	قطر خيط القص
26	26	سم	قطر دائرة القص
6	6	متر	سعة ليفة الخيط
140 - 120	140 - 120	سم	ضبط الارتفاع
●	●		مقبض قابل للطّي
●	●		تشذيب حافات العشب
●	●		حماية النباتات/عجلة
2,3	2,3	كغ	الوزن حسب EPTA-Procedure 01:2014
2,7	2,7	كغ	طقم (مع مركم)
راجع لافتة الطراز على جهاز الحديقة			الرقم المتسلسل

UniversalGrassCut 18V-26	UniversalGrassCut 18V-260	مشدبة العشب/مشدبة حافات العشب	
35+ ... 0	35+ ... 0	درجة مئوية	درجة الحرارة المحيطة الموصى بها عند الشحن
50+ ... 20-	50+ ... 20-	درجة مئوية	درجة الحرارة المحيطة المسموع به عند التشغيل ^(A) وعند التخزين
PBA 18V...W- 1,5 أمبير/ساعة، 2,0 أمبير/ ساعة، 2,5 أمبير/ساعة، 4,0 أمبير/ساعة، 6,0 أمبير/ساعة	PBA 18V...W- 1,5 أمبير/ساعة، 2,0 أمبير/ ساعة، 4,0 أمبير/ساعة، 6,0 أمبير/ساعة		طراز المركم

(A) قدرة محدودة في درجات الحرارة > 0 °م

AL 1880 CV	AL 1830 CV	AL 1820 CV	AL 1810 CV	جهاز الشحن	
8,0	3,0	2,0	1,0	أمبير	تيار الشحن
مدة الشحن (تفريغ المركم)					
27	33	50	94	د	- مركم بقدرة 1,5 أمبير ساعة
30	45	65	124	د	- مركم بقدرة 2,0 أمبير ساعة
36	60	95	154	د	- مركم بقدرة 2,5 أمبير ساعة
35	95	125	244	د	- مركم بقدرة 4,0 أمبير ساعة
62	130	150	364	د	- مركم بقدرة 6,0 أمبير ساعة
0,60	0,40	0,48	0,17	كغ	الوزن حسب EPTA- Procedure 01:2014
II/□	II/□	II/□	II/□		فئة الوقاية

الصفحة	الصورة	هدف العمل
45	P	التابع

التركيب

◀ **تنبيه:** اطفئ جهاز الحديقة وفك المركم قبل تنفيذ أعمال التركيب.

تركيب غطاء الوقاية (راجع الصورة C)

اسحب غطاء الوقاية (5) على رأس المشدبة حتى تسمع صوت طقطقة. ركب غطاء الوقاية (5) على رأس المشدبة بواسطة اللولب. اللولب مركب في اسفل الغطاء عند التوريد.

لا تستخدم المشدبة أبداً بدون غطاء الوقاية المركب (5). بعد التركيب لا يجوز فك غطاء الوقاية (5) من المشدبة.

ضبط ارتفاع العمل (راجع الصورة D)

اضغط الزر (10) واضبط المشدبة في الارتفاع المطلوب. اطلق الزر (10).

استخدم المشدبة دائماً في وضع العمل ولا تستخدمها أبداً في وضع التخزين. المشدبة في وضع التخزين عندما تكون منطوية بأكملها. عند ضبط وضع العمل تأكد من الإقفال الصحيح لآلية ضبط الارتفاع.

التركيب والتشغيل

الصفحة	الصورة	هدف العمل
34	A	الأجزاء المصورة
35	B	نطاق التوريد
35	C	تركيب غطاء الوقاية
36	D	ضبط ارتفاع العمل
37	E	فتح المقبض
37	F	تركيب العجلة
38	G	شحن وتركيب المركم
38	H	التشغيل والإطفاء
39	I	الوضع المنصوع به لتشذيب العشب
40	J	الوضع المنصوع به لقص حافات العشب
41	K	الوضع المنصوع به لتشذيب العشب تمت الجنبات/الدكات
42	L	فك ليفة الخيط
43	M	لف الخيط على ليفة الخيط
44	N	تركيب ليفة الخيط
44	O	الصيانة، التنظيف والتخزين

عملية الشحن

تبدأ إجراءات الشحن فور وصل قابس الشاحن بالمقيس وبعد ذلك وضع المرمك (2) في جهاز الشحن (12).

يتم كشف حالة شحن المرمك بشكل آلي من خلال إجراءات الشحن الذكية، ليتم شحنه بتيار الشحن الملائم اعتماداً على درجة حرارة وجه المرمك.

يؤدي ذلك إلى صيانة المرمك، فيبقى مشحوناً بشكل كامل دائماً عند الاحتفاظ به في جهاز الشحن.

معنى عناصر البيان (AL 1810)

الإضاءة الومضة لمؤشر شحن المرمك

تتم الإشارة إلى عملية الشحن من خلال وميض مؤشر شحن المرمك.



الإضاءة المستمرة لمؤشر شحن المرمك

تشير الإضاءة المستمرة لمؤشر شحن المرمك إلى اكتمال شحن المرمك أو إلى أن درجة حرارة المرمك خرجت عن نطاق درجة الحرارة المسموح به وبالتالي لا يمكن شحنه. يتم شحن المرمك فور الوصول إلى نطاق درجة الحرارة المسموح.



قبل إدخال المرمك بشير الضوء المستمر لمؤشر شحن المرمك إلى أنه قد تم توصيل قابس الشبكة الكهربائية بالمقيس وأن جهاز الشحن جاهز للتشغيل.

معنى عناصر البيان (AL 1830 CV)

الضوء الومض السريع للمؤشر الأخضر لشحن المرمك

تتم الإشارة إلى عملية الشحن السريع من خلال الوميض السريع للمؤشر الأخضر لشحن المرمك.

إرشاد: يمكن إجراء عملية الشحن السريع فقط عندما تقع درجة حرارة المرمك داخل نطاق درجة حرارة الشحن، راجع فقرة «البيانات الفنية».

الضوء الومض (البطيء) للمؤشر الأخضر لشحن المرمك

عندما تبلغ حالة شحن المرمك حوالي 80% يومض المؤشر الأخضر لشحن المرمك ببطء.

يمكن إخراج المرمك واستخدامه مباشرة.

الإضاءة المستمرة للمؤشر الأخضر لشحن المرمك

تشير الإضاءة المستمرة للمؤشر الأخضر لشحن المرمك إلى اكتمال شحن المرمك.

قبل إدخال المرمك بشير الضوء المستمر لمؤشر شحن المرمك إلى أنه قد تم توصيل قابس الشبكة الكهربائية بالمقيس وأن جهاز الشحن جاهز للتشغيل.

الضوء المستمر للمؤشر الأحمر لشحن المرمك

تشير الإضاءة المستمرة للمؤشر الأحمر لشحن المرمك إلى أن درجة حرارة المرمك خارج النطاق المسموح لدرجة حرارة الشحن، انظر

فقرة «المواصفات الفنية». بمجرد الوصول إلى نطاق

هناك صوت طقطقة عندما تدخل الآلية في مكانها الصحيح.

فتح المقبض اليدوي (راجع الصورة E)

اضغط الزر (7)، افتح المقبض (3) بحيث يقفل بأبعد وضع ممكن، ثم اطلق الزر (7). انتبه للإفقال الصحيح للمقبض (3). لا تضغط على المقبض (3)، أثناء عملية الضبط.

تركيب العجلة (راجع الصورة F)

ركب العجلة (6) على رأس المشدبة. انتبه لوضع الأسهم الصحيح على رأس المشدبة. عندها تأكد من الدخول الصحيح للخطاف في الأخدود. قم بإدارة العجلة (6) على رأس المشدبة حتى يدخل الذراع (11) في مكانه بصوت مسموع (طقطقة). لفك العجلة اسحب الذراع (11) حتى تخرج العجلة (6) وانزعها بعكس الاتجاه.

بدء التشغيل

⬅ تنبيه: اطفئ جهاز الحديقة وفك المرمك قبل تنفيذ أعمال الضبط والتنظيف.

شحن المرمك

⬅ يُراعى جهد الشبكة الكهربائية! يجب أن يتطابق جهد منبع التيار مع المعلومات المذكورة على لافتة طراز جهاز الشحن.

لقد تم تجهيز المرمك بمراقب حراري وهو يسمح بالشحن فقط ضمن مجال حراري يبلغ بين 0 درجة مئوية و 35 درجة مئوية، ويؤدي ذلك إلى مدة صلاحية عالية للمرمك.

ملاحظة: يتم تسليم المرمك وهو بحالة شحن جزئية. الشحن المرمك في جهاز الشحن بشكل كامل قبل الاستعمال الأول لضمان قدرة المرمك الكاملة.

يمكن شحن مرمك أيونات الليثيوم في أي وقت دون الحد من فترة صلاحيته. إن قطع عملية الشحن لا يسبب الأضرار بالمرمك.

لقد تم وقاية مرمك أيونات الليثيوم من التفريغ العميق بواسطة "واقية الخلايا الالكترونية Electronic Cell Protection/(ECP)". يتم إطفاء

المرمك بواسطة مفتاح وقائي عند تفريغ المرمك: لن يعد يعمل جهاز الحديقة.

لا تتابع الضغط على مفتاح التشغيل والإطفاء بعد انطفاء الجهاز بشكل آلي. فقد يتعرض المرمك لأضرار.

تُراعى الملاحظات بصدد التخلص من المرمك.

تركيب وفك المرمك (راجع الصورة G)

ملحوظة: يمكن ان يؤدي استخدام المراكم الغير مناسبة إلى عمل الجهاز بشكل غير صحيح أو إلى تلف الجهاز.

ركب المرمك المشحون (2). احرص على تعاشق واستقرار المرمك بصورة تامة.

لفك المرمك (2) عن الجهاز، اضغط زر الفك (1) واسحب المرمك من مكانه.

قص حافات العشب (راجع الصورة J)
اضغط الزر (4) واضبط الزاوية 36 درجة لقص حافات العشب. الآن قم بإدارة المقبض بـ 180 درجة، ثم دور مشدبة العشب إلى وضع العمل المراد باتجاه عقارب الساعة.
وجه مشدبة العشب على مسار حافات العشب. عن طريق استخدام العجلة تتجنب الاحتكاك بالسطوح الصلبة أو الأسوار من أجل منع الخيط من الاستهلاك السريع.

القص حول الأشجار والجنبات (راجع الصورة K)
اضغط الزر (4) واضبط الزاوية 24 درجة للقص حول الأشجار والجنبات.

قص حول الأشجار والجنبات بحذر حتى لا تتلامس مع الخيط. إن النباتات قد تموت إن تم إتلاف قشورها.

فك الليفة، لف الخيط وتركيب الليفة (راجع الصور L إلى N)

◀ فك المرمك قبل استبدال الليفة.

اضغط القفلين الموجودين على غطاء الليفة باتجاه بعضهما البعض وانزع غطاء الليفة (13). ثم انزع الليفة الفارغة (14).

قص 6 م تقريباً من الخيط عن ليفة التعبئة. ادفع طرف الخيط في فتحة إدخال الخيط (15) الموجودة في الليفة. قم بتمرير الخيط تحت الخطاف (17). ثم قم بإدخال الخيط بالفتحة (18) الموجودة في الليفة. ثم لف الخيط بشكل متساو ومشدود.
قم بتمرير الطرف الآخر للخيط بالثقب (19) الموجود في رأس المشدبة اعد وضع الليفة في رأس المشدبة. ثبت الليفة عن طريق تركيب غطاؤها (13). يمكن تركيب غطاء الليفة (13) فقط في وضع واحد.

إطلاق التغذية بالخيط

IntelliFEED

المشدبة مجهزة بالنظام IntelliFEED الذي يأخذ الخيط من الليفة بشكل أوتوماتيكي من أجل المحافظة على قطر القص.

درجة الحرارة المسموح به، ينتقل جهاز الشحن أوتوماتيكياً إلى الشحن السريع.

الإضاءة الوامضة للمؤشر الأحمر للمرمك

تشير الإضاءة الوامضة للمؤشر الأحمر للمرمك إلي وجود خلل آخر في عملية الشحن، انظر فقرة «الأخطاء» - الأسباب والعلاج.

التشغيل

◀ تنبيه: اطفئ جهاز الحديقة وفك المرمك قبل تنفيذ أعمال التركيب.

◀ يتابع خيط القص دورانه لعدة ثوان بعد إطفاء مشدبة العشب. انتظر إلى أن يتوقف المرمك/ خيط القص عن الحركة، قبل إعادة تشغيل مشدبة العشب.

◀ لا تقوم بعمليات التشغيل والإطفاء عدة مرات بلحظات قليلة.

◀ نصح باستخدام عناصر القص المرخصة من قبل شركة بوش. قد تختلف نتائج القص عند استخدام غيرها من عناصر القص.

التشغيل/الإطفاء (راجع الصورة H)

للتشغيل اضغط على قفل التشغيل أولاً (9). اضغط بعد ذلك على مفتاح التشغيل/الإطفاء (8) واحتفظ به مضغوطاً.

من أجل الإطفاء يطلق مفتاح التشغيل/الإطفاء (8).

تشذيب العشب/قص حافات العشب (راجع الصور K - I)

تشذيب العشب (راجع الصورة I)

اضغط الزر (4) واضبط الزاوية 48 درجة لتشذيب العشب.

قم بتحرك مشدبة العشب نحو اليسار واليمين مع الانتباه إلى المحافظة على إبقائها على بعد كاف عن جسدك. قص الأعشاب الطويلة على مراحل متعددة.

البحث عن الأخطاء



مشدبة العشب/مشدبة حافات العشب

الخطأ	السبب المحتمل	العلاج
المرمك لا يشتغل	المرمك فارغ	اشحن المرمك.
	المرمك ساخن/بارد جداً	اسمح للمرمك بأن يبرد/يسخن.
جهاز الحديقة يعمل بشكل متقطع	مفتاح التشغيل والإطفاء تالف	راجع مركز خدمة زبائن بوش.
	تلف بالكبلات الداخلية بجهاز الحديقة	راجع مركز خدمة زبائن بوش.
تم زيادة تحميل جهاز الحديقة	العشب أعلى من المسموح	قص على مراحل.
جهاز الحديقة لا يقص	خيط القص قصير جداً/مقطع	قم بالتغذية بخيط القص يدوياً.
	ليفة الخيط فارغة	استبدال ليفة الخيط.

الخطأ	السبب المحتمل	العلاج
لا تمكن التغذية بخيوط القص	لقد تشابك خيط القص بالليفية	افحص ليفية الخيط، لف خيط القص حولها مرة أخرى عند الضرورة.
	ليفية الخيط فارغة	اعد تعبئة ليفية الخيط.
	لم يتم لف خيط القص بشكل صحيح	اعد لف خيط القص.
	خيط زائد على الليفية	قم بتقصير خيط القص إلى الطول الصحيح.
خيط القص مشتبك	مشاكل بنظام تغذية الخيط	راجع مركز خدمة زبائن بوش.
يتم إعادة سحب خيط القص إلى الليفية	خيط القص قصير جدا/مقطع	انزع الليفية وادخل خيط القص من جديد (راجع الصور L - N).
خيط القص ينقطع كثيراً	لقد تشابك خيط القص بالليفية	انزع الليفية ولف خيط القص من جديد (راجع الصور L - N).
	تم استخدام مشدبة العشب بطريقة غير صحيحة	قم بالتشذيب بقمة خيط القص فقط، تجنب ملامسة الحجارة والجدران وغيرها من الأغراض الصلبة. قم بتغذية خيط القص بشكل منتظم من أجل استغلال كامل قطر دائرة القص.
تهتز المشدبة بشكل غير عادي	حلقة الشد أو غطاء الليفية غير مركب عليها	ركب حلقة الشد أو غطاء الليفية عليها.
	حلقة الشد في الوضع الغير صحيح	ضع حلقة الشد في الوضع الصحيح.
	نظام القص تالف	راجع مركز خدمة زبائن بوش.
	حلقة الشد مستهلكة	اشترى لواحق جديدة للليفية تحتوي على حلقة الشد.

المركم وجهاز الشحن

الأخطاء	السبب المحتمل	العلاج
مؤشر شحن المركم الأحمر يخفق	لم يتم تركيب المركم (بالشكل الصحيح)	قم بتركيب المركم في جهاز الشحن بالشكل الصحيح.
عملية الشحن غير ممكنة	ملامسات المركم متسخة	نظف ملامسات المركم من خلال تلقيمه ونزعه عدة مرات مثلاً، استبدل المركم عند الضرورة.
	المركم تالف	استبدل المركم.
مؤشرات شحن المركم لا تضيء	قابس الشبكة الكهربائية بجهاز الشحن غير موصول بشكل (سليم)	اغرز قابس الشبكة الكهربائية بالمقبس بشكل (كامل).
	تلف بالمقبس، كابل الشبكة الكهربائية أو جهاز الشحن	تفحص جهد الشبكة الكهربائية، اطلب من مركز خدمة زبائن وكالة عدد بوش الكهربائية بتفحص جهاز الشحن عند الضرورة.

الصيانة والخدمة

الصيانة، التنظيف والتخزين

◀ فك المركم عن جهاز الحديقة قبل مزاوله أي نوع من الأعمال بالجهاز (مثلاً: الصيانة، استبدال العدد وإلخ.). ينشأ خطر الإصابة بجروح عند الضغط على مفتاح التشغيل والإيقاف بشكل غير مقصود.

◀ حافظ على نظافة الجهاز، لكي تتمكن من العمل بشكل جيد وأمن.

لا تترك أغراض أخرى على جهاز الحديقة. حافظ على نظافة الجهاز وشقوق التهوية، لكي تستطيع أن تعمل بشكل جيد وأمن.

لا تبخ الجهاز أبداً بواسطة الماء.

لا تغطس الجهاز أبداً في الماء.

خزن الجهاز في مكان آمن وجاف وبعيدا من منال الأطفال.

لا تترك أغراض أخرى على الجهاز.

تأكد من ثبات جميع الصواميل والمسامير واللواصق لضمان سلامة وأمان العمل بالجهاز.

افحص الجهاز واستبدل القطع المستهلكة أو التالفة على سبيل الاحتياط.

احرص على كون الأجزاء المستبدلة صنع بوش.

العناية بالمركم

يرجى مراعاة الملاحظات والإجراءات التالية من أجل ضمان استخدام المركم بشكل مثالي:

البطاريات التالفة أو المستهلكة كل على حدة ليتم التخلص منها بطريقة محافظة على البيئة عن طريق إعادة استغلالها.
قد يتسبب التخلص غير السليم من الأجهزة الكهربائية والإلكترونية القديمة في أثار ضارة على البيئة وصحة الإنسان نتيجة لاحتمالية وجود مواد خطيرة فيها.

المراكم/البطاريات:

مراكم أيونات الليثيوم:

يرجى مراعاة الإرشادات الواردة في جزء النقل (انظر „النقل“، الصفحة 22).

المراكم/البطاريات:

◀ لا يجوز إخراج المراكم المدمجة للتخلص منها إلا من قبل فنيين متخصصين. فقد يتسبب فتح غطاء جسم الجهاز في إتلاف الجهاز.

لا ترم المراكم/البطاريات في النفايات المنزلية أو في النار أو في الماء. ينبغي تفريغ المراكم/البطاريات إن أمكن ذلك وجمعها لإعادة تصنيعها أو للتخلص منها بطريقة منصفة بالبيئة.

- احم المركم من الرطوبة والماء.
- خزن جهاز الحديقة والمركم فقط في الحرارة بين 20- درجة مئوية و50 درجة مئوية. مثلاً لا تترك المركم في السيارة في الصيف.
- قم بتخزين المركم لوحده وليس داخل جهاز الحديقة.
- لا تترك المركم في جهاز الحديقة إن كان سيتعرض لأشعة الشمس المباشرة.
- تبلغ درجة الحرارة المثالية لخزن المركم 5 درجة مئوية.
- نظف شقوق التهوية بالمركم من فترة لأخرى بواسطة فرشاة طرية ونظيفة وجافة.
- تدل فترة صلاحية قصيرة بعد الشحن إلى أن المركم قد استهلك وأنه يتوجب استبداله.

خدمة العملاء واستشارات الاستخدام

يجب مركز خدمة العملاء على الأسئلة المتعلقة بإصلاح المنتج وصيانتها، بالإضافة لقطع الغيار. تجد الرسوم التفصيلية والمعلومات الخاصة بقطع الغيار في الموقع: www.bosch-pt.com

يسر فريق Bosch لاستشارات الاستخدام مساعدتك إذا كان لديك أي استفسارات بخصوص منتجاتنا وملحقاتها.

يلزم ذكر رقم الصنف ذو الخانات العشر وفقاً للوحة صنع المنتج عند إرسال أية استفسارات أو طلبات قطع غيار.

تجد المزيد من عناوين الخدمة تحت:

www.bosch-pt.com/serviceaddresses

النقل

تخضع مراكم أيونات الليثيوم الموصى بها لاشتراطات قانون المواد الخطرة. يسمح للمستخدم أن يقوم بنقل المراكم على الطرقات دون التقييد بأية شروط إضافية.

عندما يتم إرسالها عن طريق طرف آخر (مثلاً: الشحن الجوي أو شركة شحن)، يتوجب التقييد بشروط خاصة بصدد التغليف ووضع العلامات. ينبغي استشارة خبير متخصص بنقل المواد الخطيرة عندما يرغب بتحضير المركم المراد شحنه في هذه الحالة.

لا تقوم بشحن المراكم إلا إذا كان هيكلها الخارجي سليم. قم بتغطية الملامسات المكشوفة ن بلاصقات، و قم بتغليف المركم بحيث لا يتحرك في الطرد. يرجى أيضاً مراعاة التشريعات المحلية المتعلقة إن وجدت.

التخلص من العدة الكهربائية

يجب التخلص من الأجهزة والمراكم والتوايح والتغليف بطريقة منصفة بالبيئة عن طريق التدوير.

لا ترم الأجهزة والمراكم/البطاريات ضمن النفايات المنزلية!



فقط لدول الاتحاد الأوروبي:

حسب التوجيه الأوروبي 2012/19/EU، يجب أن يتم جمع الأجهزة غير الصالحة للاستعمال، وحسب التوجيه الأوروبي 2006/66/EC يجب أن يتم جمع المراكم/

فارسی

دستورات ایمنی

◀ توجه! همه دستورات ایمنی را به دقت بخوانید. خود را با قسمتهای کاربری و نحوه استفاده از ابزار باغبانی آشنا کنید. لطفاً دفترچه راهنما را برای آینده خوب نگهداری کنید.

توضیح علائم روی ابزار باغبانی

هشدارهای عمومی.



دفترچه ی راهنما را تا انتها بخوانید.



دقت کنید که افراد نزدیک شما با اجسام به هوا پرت شده زخمی نشوند.



هشدار: هنگام کار ابزار با باغبانی، فاصله ایمنی را رعایت کنید.



مربوط نمی شود.



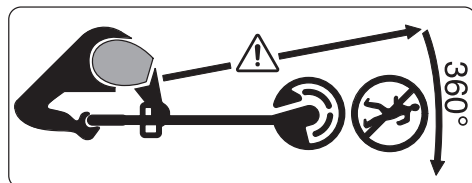
قبل از سرویس یا تمیز کاری روی ابزار باغبانی یا در صورت بدون نظارت ماندن دستگاه برای مدت طولانی، باتری را درآورید.



از عینک و گوشی ایمنی استفاده کنید.



ابزار باغبانی را در برابر باران حفظ کنید یا زیر باران رها نکنید.



دقت کنید که افراد نزدیک شما با اجسام به هوا پرت شده زخمی نشوند.

هشدار: هنگام کار ابزار با باغبانی، فاصله ایمنی را رعایت کنید.

محیط کار ابزار باغبانی را از لحاظ وجود حیوانات وحشی و اهلی به دقت کنترل کنید. حیوانات وحشی و اهلی ممکن



است هنگام کار با دستگاه زخمی شوند. محیط کار دستگاه را خوب کنترل و آن را از نظر وجود سنگ، تکه چوب، استخوان و سایر اجسام خارجی خالی کنید. دقت کنید که هنگام کار با دستگاه، هیچ حیوان وحشی یا اهلی یا ساقه درخت در علف انبوه پنهان نباشد.

نکات ایمنی عمومی برای ابزارهای برقی

◀ کلیه هشدارها، دستورالعملها، تصاویر و مشخصات ارائه شده به همراه ابزار برقی را مطالعه کنید. اشتباهات ناشی از عدم رعایت این دستورات ایمنی ممکن است باعث برق گرفتگی، سوختگی و یا سایر جراحات های شدید شود.

◀ کلیه هشدارهای ایمنی و راهنمایها را برای آینده خوب نگهداری کنید.

◀ عبارت «ابزار برقی» در هشدارها به ابزارهایی که به پریز برق متصل میشوند (با سیم برق) و یا ابزارهای برقی باتری دار (بدون سیم برق) اشاره دارد.

ایمنی محل کار

◀ محیط کار را تمیز و روشن نگه دارید. محیطهای در هم ریخته یا تاریک احتمال بروز حادثه را افزایش میدهند.

◀ ابزار برقی را در محیطهایی که خطر انفجار وجود دارد و حاوی مایعات، گازها و بخارهای محترقه هستند، به کار نگیرید. ابزارهای برقی جرقههایی ایجاد میکنند که میتوانند باعث آتش گرفتن گرد و غبارهای موجود در هوا شوند.

◀ هنگام کار با ابزار برقی، کودکان و سایر افراد را از دستگاه دور نگه دارید. در صورتیکه حواس شما پرت شود، ممکن است کنترل دستگاه از دست شما خارج شود.

ایمنی الکتریکی

◀ دوشاخه ابزار برقی باید با پریز برق تناسب داشته باشد. هیچگونه تغییری در دوشاخه ایجاد نکنید. مبدل دوشاخه نباید همراه با ابزار برقی دارای اتصال زمین استفاده شود. دوشاخههای اصل و تغییر داده نشده و پریزهای مناسب، خطر برق گرفتگی را کاهش میدهند.

◀ از تماس بدنی با قطعات متصل به سیم اتصال زمین مانند لوله، شوفاژ، اجاق برقی و یخچال خودداری کنید. در صورت تماس بدنی با سطوح و قطعات دارای اتصال به زمین و همچنین تماس شما با زمین، خطر برق گرفتگی افزایش می یابد.

◀ ابزارهای برقی را در معرض باران و رطوبت قرار ندهید. نفوذ آب به ابزار برقی، خطر شوک الکتریکی را افزایش میدهد.

◀ از سیم دستگاه برای مقاصد دیگر استفاده نکنید. هرگز برای حمل ابزار برقی، کشیدن آن یا خارج کردن دوشاخه از سیم دستگاه استفاده نکنید. کابل دستگاه را از حرارت، روغن، لبههای تیز یا قطعات متحرک دور نگه

می شوند. استفاده از وسائل مکش گرد و غبار مصونیت شما را در برابر گرد و غبار زیادتز میکند. **آشنایی با ابزار به دلیل کار کردن زیاد با آن نباید باعث سهل انگاری شما و نادیده گرفتن اصول ایمنی شود.** بی دقتی ممکن است باعث بروز جراحاتی در عرض کسری از ثانیه شود.

استفاده صحیح از ابزار برقی و مراقبت از آن

از وارد کردن فشار زیاد روی دستگاه خودداری کنید. برای هر کاری، از ابزار برقی مناسب با آن استفاده کنید. بکار گرفتن ابزار برقی مناسب باعث میشود که بتوانید از توان دستگاه بهتر و با اطمینان بیشتر استفاده کنید.

در صورت ایراد در کلید قطع و وصل ابزار برقی، از دستگاه استفاده نکنید. ابزار برقی که نمی توان آنها را قطع و وصل کرد، خطرناک بوده و باید تعمیر شوند.

قبل از تنظیم ابزار برقی، تعویض متعلقات و یا کنار گذاشتن آن، دوشاخه را از برق بکشید و یا باتری آنرا خارج کنید. رعایت این اقدامات پیشگیری ایمنی از راه افتادن ناخواسته ابزار برقی جلوگیری می کند.

ابزار برقی را در صورت عدم استفاده، از دسترس کودکان دور نگه دارید و اجازه ندهید که افراد ناوارد و یا اشخاصی که این دفترچه راهنما را نخوانده اند، با این دستگاه کار کنند. قرار گرفتن ابزار برقی در دست افراد ناوارد و بی تجربه خطرناک است.

از ابزار برقی و متعلقات خوب مراقبت کنید. مواظب باشید که قسمت های متحرک دستگاه خوب کار کرده و گیر نکنند. همچنین دقت کنید که قطعات ابزار برقی شکسته و یا آسیب دیده نباشند. قطعات آسیب دیده را قبل از شروع به کار تعمیر کنید. علت بسیاری از سوانح کاری، عدم مراقبت کامل از ابزارهای برقی می باشد.

ابزار برقی را تیز و تمیز نگه دارید. ابزار برقی که خوب مراقبت شده و از لبه های تیز برخوردار است، کمتر در قطعه کار گیر کرده و بهتر قابل هدایت است.

ابزار برقی، متعلقات، متهای دستگاه و غیره را مطابق دستورات این جزوه راهنما به کار گیرید و به شرایط کاری و نوع کار نیز توجه داشته باشید. استفاده از ابزار برقی برای عملیاتی به جز مقاصد در نظر گرفته شده، میتواند به بروز شرایط خطرناک منجر شود.

دستها و سطوح عایق را همواره خشک، تمیز و عاری از روغن و گریس نگه دارید. دسته های لغزنده مانع ایمنی و کنترل در کار در شرایط غیر منتظره هستند.

مراقبت و طرز استفاده از ابزارهای شارژی

باتری را بردارید:

- در صورت تنها گذاشته شدن دستگاه توسط کاربر

- پیش از رفع گیر

دارید. کابلهای آسیب دیده و یا گره خورده خطر شوک الکتریکی را افزایش میدهند.

هنگام استفاده از ابزار برقی در محیطهای باز، تنها از کابل رابطی استفاده کنید که برای محیط باز نیز مناسب باشد. کابل های رابط مناسب برای محیط باز، خطر برق گرفتگی را کم می کنند.

در صورت لزوم کار با ابزار برقی در محیط و اماکن مرطوب، باید از یک کلید حفاظتی جریان خطا و نشستی زمین (کلید قطع کننده اتصال با زمین) استفاده کنید. استفاده از کلید حفاظتی جریان خطا و نشستی زمین خطر برق گرفتگی را کاهش می دهد.

رعایت ایمنی اشخاص

حواس خود را خوب جمع کنید، به کار خود دقت کنید و با فکر و هوشیاری کامل با ابزار برقی کار کنید. در صورت خستگی و یا در صورتی که مواد مخدر، الکل و دارو استفاده کرده اید، با ابزار برقی کار نکنید. یک لحظه بی توجهی هنگام کار با ابزار برقی، میتواند جراحت های شدیدی به همراه داشته باشد.

از تجهیزات ایمنی شخصی استفاده کنید. همواره از عینک ایمنی استفاده نمایید. استفاده از تجهیزات ایمنی مانند ماسک ضد گرد و غبار، کفشهای ایمنی ضد لغزش، کلاه ایمنی و گوشی محافظ متناسب با نوع کار با ابزار برقی، خطر مجروح شدن را کاهش میدهد.

مواظب باشید که ابزار برقی بطور ناخواسته بکار نیفتد. قبل از وارد کردن دوشاخه دستگاه در پریز برق، اتصال آن به باتری، برداشتن آن و یا حمل دستگاه، باید دقت کنید که ابزار برقی خاموش باشد. در صورتی که هنگام حمل دستگاه انگشت شما روی دکمه قطع و وصل باشد و یا دستگاه را در حالت روشن به برق بزنید، ممکن است سوانح کاری پیش آید.

قبل از روشن کردن ابزار برقی، همه ابزارهای تنظیم کننده و آچارها را از روی دستگاه بردارید. ابزار و آچارهایی که روی بخش های پرچنده دستگاه قرار دارند، میتوانند باعث ایجاد جراحت شوند.

وضعیت بدن شما باید در حالت عادی قرار داشته باشد. برای کار جای مطمئنی برای خود انتخاب کرده و تعادل خود را همواره حفظ کنید. به این ترتیب میتوانید ابزار برقی را در وضعیتهای غیر منتظره بهتر تحت کنترل داشته باشید.

لباس مناسب بپوشید. از پوشیدن لباسهای گشاد و حمل زینت آلات خودداری کنید. موها و لباس خود را از بخشهای در حال پرخش دستگاه دور نگه دارید. لباسهای گشاد، موی بلند و زینت آلات ممکن است در قسمتهای در حال پرخش دستگاه گیر کنند.

در صورتی که تجهیزاتی برای اتصال و وسائل مکش گرد و غبار و یا وسیله جمع کننده گرد و غبار ارائه شده است، باید مطمئن شوید که این وسائل درست نصب و استفاده

- ◀ پیش از تمیز کردن یا کار با دستگاه
- ◀ پس از برخورد یک جسم خارجی از لحاظ آسیب دیدگی کنترل کنید
- ◀ در صورت شروع ناگهانی لرزش، دستگاه را کنترل کنید
- ◀ **باتری ها را منحصراً توسط دستگاه های شارژ کنید که توسط سازنده توصیه شده باشند.**

چنانچه برای شارژ باتری آنرا در دستگاه شارژی قرار بدهید که برای آن نوع باتری ساخته نشده است، خطر آتش سوزی وجود دارد.

◀ فقط از باتری های استفاده کنید که برای آن نوع دستگاه در نظر گرفته شده اند. استفاده از سایر باتری های متفرقه میتواند جراحات و حریق را منجر گردد.

◀ در صورت عدم استفاده از باتری باید آنرا از گیره های فلزی، سکه، کلید، میخ، پیچ و دیگر وسایل کوچک فلزی دور نگه دارید، زیرا این وسایل ممکن است باعث ایجاد اتصالی شوند. ایجاد اتصالی بین دو قطب باتری (ترمینالهای باتری) میتواند باعث سوختگی و ایجاد حریق شود.

◀ استفاده بی رویه از باتری میتواند باعث خروج مایعات از داخل آن شود. از دست زدن و هر گونه تماس با آن مایعات خودداری کنید. در صورت تماس اتفاقی با آن، دست خود و یا محل تماس با مایعات را با آب بشوئید. در صورت آلوده شدن چشم با این مایعات، باید به پزشک مراجعه کنید. مایع خارج شده ممکن است باعث بروز خارشهای پوستی و سوختگی شود.

◀ هرگز از باتری یا ابزار آسیب دیده یا دست کاری شده استفاده نکنید. باتریهای آسیب دیده ممکن است کارکرد غیر قابل منتظره ای داشته باشند و منجر به آتش سوزی، انفجار یا جراحات شوند.

◀ باتری یا ابزار را در معرض آتش یا دمای زیاد قرار ندهید. فرار گرفتن در معرض آتش یا حرارت بالای 130°C ممکن است منجر به انفجار گردد.

◀ همه ی راهنماییهای مربوط به شارژ را رعایت کنید و باتری یا ابزار را خارج از محدوده ی دمای تعریف شده در دستورات شارژ نکنید. شارژ کردن نادرست یا در دمای خارج از محدوده ی تعریف شده ممکن است به باتری صدمه بزند و خطر آتش سوزی را افزایش دهد.

سرویس

◀ برای تعمیر ابزار برقی فقط به متخصصین حرفهای رجوع کنید و از قطعات یدکی اصل استفاده نمایید. این باعث خواهد شد که ایمنی دستگاه شما تضمین گردد.

◀ هرگز باتریهای آسیب دیده را تعمیر نکنید. باتری باید تنها توسط متخصصین مجاز شرکت تعمیر شوند.

کاربری

◀ کاربر باید از محصول مطابق مقررات استفاده کند. به وضعیت محل کار توجه کنید. هنگام کار کاملاً به اشخاص توجه کنید، بخصوص کودکان.

- ◀ هرگز به کودکان و سایر افراد دارای کاستیهای روحی و جسمی یا بدون تجربه یا آشنایی یا به اشخاص بدون اطلاع از روش کاربری اجازه استفاده از ابزار باغبانی را ندهید. مقررات مربوط به هر کشور می توانند سن کاربر را محدود کنند.
- ◀ کودکان باید زیر نظر باشند تا اطمینان حاصل شود که آنها با محصول بازی نمی کنند.

کاربرد

◀ ابزار باغبانی را هنگام کار با هر دو دست محکم بگیرید و جایگاه مطمئنی برای خود انتخاب کنید. ابزار باغبانی با دو دست مطمئن تر هدایت می شود.

◀ قبل از کنار گذاشتن ابزار باغبانی، صبر کنید تا دستگاه به ایست کامل برسد.

◀ هرگز ابزار باغبانی را با یک قاب محافظ یا درپوش خراب یا بدون تجهیزات ایمنی بکار نبرید. دقت کنید که این موارد، صحیح نصب شده باشند. هرگز دستگاه را بطور ناکامل یا با تغییرات غیر مجاز بکار نبرید.

◀ دستگاه را در صورت آسیب دیدگی یا فرسودگی کابل بکار نبرید.

◀ هرگز ابزارهای تَرش غیر فلزی را با ابزار برش فلزی تعویض نکنید.

◀ هرگز ابزار باغبانی را سر خود تعمیر نکنید، مگر اینکه در این رابطه تخصص دارید.

◀ هنگام کاربری ابزار باغبانی بایستی سایر افراد و حیوانات دور بمانند. کاربر نسبت به فرد سوم در محدوده کاری مسؤول است.

◀ قبل از تماس با تیغه، بگذارید به طور کامل بایستد. سر تیغه پس از خاموش شدن موتور برای مدتی در حرکت می ماند و می تواند باعث ایجاد جراحات شود.

◀ فقط در روز روشن یا زیر نور مناسب چراغ کار کنید.

◀ در صورت بد بودن هوا بخصوص هنگام رعد و برق با چمن زن کار نکنید.

◀ کاربرد چمن زن در چمن تَر ممکن است توان آن را مختل کند.

◀ برای حمل و نقل، ابزار باغبانی را خاموش کنید و باتری را بیرون بکشید.

◀ همواره هنگام کار با چمن زن به وضعیت ایستادن مطمئن خود توجه کنید. دستان و پاهای خود را در فاصله مطمئنی از قسمتهای چرخنده نگهدارید.

◀ برای جلوگیری از افتادن هنگام کار، تعادل خود را حفظ کنید.

◀ دقت کنید که در صورت قرار گرفتن ابزار باغبانی روی زمین از روی آن تلو نخورید.

◀ باتری را قبل از تعویض فرقره درآورید.

◀ چمن زن را منظم کنترل و سرویس کنید.

◀ همواره برای تمیز کردن محصول یا تعویض نخ از دستکش ایمنی استفاده کنید.

◀ هنگام کار با تیغه ای که برای قطع نخ برش است، احتیاط کنید. چمن زن را پس از پر کردن با نخ، همواره قبل از روشن کردن در وضعیت افقی قرار دهید.

◀ ابزار باغبانی را خاموش کنید و باتری را بیرون بکشید:

با یستی یا ولتاژ شارژر باتری مطابقت داشته باشد. از شارژ کردن باتری های غیر قابل شارژ خودداری کنید. در غیر اینصورت خطر آتش سوزی یا انفجار وجود دارد.

دستگاه شارژر باتری را در برابر باران و رطوبت محفوظ بدارید. نفوذ آب به داخل دستگاه شارژر، خطر برق گرفتگی را افزایش میدهد.



◀ **دستگاه شارژر را تمیز نگه دارید.** آلودگی می تواند خطر ایجاد شوک الکتریکی داشته باشد.

◀ **قبل از هر بار استفاده، دستگاه شارژر، کابل و دوشاخه را کنترل کنید.** در صورت تشخیص هر گونه آسیب دیدگی، از دستگاه شارژر استفاده نکنید دستگاه شارژر را سر خود باز نکنید و برای تعمیر دستگاه فقط به متخصصین حرفه ای رجوع و از وسایل پدکی اصل استفاده کنید. دستگاه شارژر، دوشاخه و کابل های آسیب دیده، خطر برق گرفتگی را افزایش میدهند.

◀ **دستگاه شارژر را در سطح قابل اشتعال (مثلاً روی کاغذ، پارچه و غیره) یا در محیط با قابلیت آتشسوزی بکار نبرید.** به دلیل ایجاد گرمای حاصل از کار دستگاه، خطر بروز آتشسوزی وجود دارد.

◀ **شیار تهویه ی دستگاه شارژر را نبوشانید.** دستگاه شارژر ممکن است در غیر اینصورت درست کار نکند.

◀ برای افزایش ایمنی الکتریکی توصیه می شود از یک کلید نشت و خطا با حداکثر امپراژ فعال 30 میلی آمپر استفاده کنید. کلید نشت و خطا را قبل از کاربری کنترل کنید.

علامت ها

علامتهای ذیل برای استفاده از چاروبرقی مهم می باشند. لطفاً این علائم و معانی آنها را به خاطر بسپارید. فهم درست این علائم به شما جهت استفاده ی درست و ایمن از محصول کمک می کند.

معنی	علامت
از دستکش ایمنی استفاده کنید	
مسیر یا جهت حرکت	
مسیر یا جهت عکس العمل	
وزن	
نمونه روشن کردن	
نمونه خاموش کردن	
کاربری مجاز	

– هر وقت ابزار باغبانی را مدتی بدون نظارت می گذارید

– قبل از تحویض قرفره

– قبل از تمیز کاری یا هنگام کار روی چمن زن

– پیش از نگهداری چمن زن در انبار

◀ محصول را در یک جای خشک، بسته و دور از دسترس کودکان نگهداری کنید. هیچ جسمی را روی محصول قرار ندهید.

◀ ابزار باغبانی را به عنوان عصا بکار نبرید.

نکاتی برای کار بهینه با باتری شارژی

◀ **باتری را باز نکنید.** خطر اتصال کوتاه وجود دارد.

باتری شارژی را در برابر گرما (مانند تابش مستقیم نور خورشید)، رطوبت، آتش، آب محفوظ بدارید. خطر انفجار وجود دارد.



◀ **در صورت استفاده غیر معمول یا آسیب دیدگی باتری شارژی ممکن است بخار خارج گردد.** هوا را تازه کنید و در صورت بروز ناراحتی به پزشک مراجعه کنید. این بخارها می توانند مجاری تنفسی را تحریک کنند.

◀ **تنها از باتری برای محصولات تولیدی شرکت استفاده کنید.** فقط در اینصورت باتری در برابر خطر اعمال فشار بیش از حد محافظت میشود.

◀ **بوسیله ی اشیاء تیز مانند میخ یا پیچکوشتی یا تأثیر نیروی خارجی ممکن است باتری آسیب ببیند.** ممکن است اتصال داخلی رخ دهد و باتری آتش گیرد، دود کند، منفجر شود یا بیش از حد داغ گردد.

◀ **از اتصال کوتاه باتری خودداری کنید.** خطر انفجار وجود دارد.

◀ گاه بگاہ شیارهای تهویه باتری را بوسیله یک قلم موی یا برس کوچک نرم و خشک تمیز کنید.

دستورات ایمنی برای دستگاههای شارژر

همه دستورات ایمنی و راهنمایی ها را بخوانید. اشتباهات ناشی از عدم رعایت این دستورات ایمنی ممکن است باعث برق گرفتگی، سوختگی و یا سایر جراحات های شدید شود.



همه دستورات و راهنمایی ها را برای آینده خوب نگهداری کنید.

◀ لطفاً دستگاه شارژر را زمانی بکار گیرید که از کلیه لزومات عملکرد آن بخوبی واقف باشید و کاملاً بتوانید با دستگاه کار کنید و همچنین راهنمایی های لازم را دریافت کرده باشید.

◀ هرگز به کودکان و سایر افراد دارای کاستیهای روحی و جسمی یا بدون تجربه یا آشنایی یا به اشخاص بدون اطلاع از روش کاربری اجازه استفاده از دستگاه شارژر را ندهید. مقررات مربوط به هر کشور می توانند سن کاربر را محدود کنند.

◀ **مراقب کودکان باشید.** اینگونه اطمینان حاصل می کنید که کودکان با دستگاه شارژر بازی نمی کنند.

◀ **تنها از باتری های لیتیوم یونی بوش با ظرفیت 1,5 Ah (از 5 باتری ساعتی) شارژر کنید.** ولتاژ باتری

- باتری**
 - دستگاه شارژ**
 - دفترچه راهنما
- در صورت ناقص یا آسیب دیده بودن اجزای دستگاه به فروشنده مراجعه کنید.
** بر حسب کشور مربوط

اجزاء دستگاه (رجوع شود به تصویر A)

شماره گذاری اجزای مصور، مربوط به تصویر محصول در صفحه ی تا شو می باشد.

- (1) دکمه بازکننده قفل باتری
- (2) باتری^(a)
- (3) دسته تاشو
- (4) پدال برای تنظیم زاویه کاری جهت چمن زنی/ برش لبه ها
- (5) قاب محافظ
- (6) چرخ ابزار
- (7) باز کردن قفل تنظیم دستگیره
- (8) کلید قطع و وصل
- (9) کلید ایمنی برای قفل کردن کلید قطع و وصل
- (10) دکمه تنظیم ارتفاع کاری
- (11) اهرم
- (12) دستگاه شارژ باتری^(a)
- (13) سرپوش قرقره
- (14) قرقره
- (15) گیرنده نخ
- (16) رینگ مهار
- (17) قلاب برای نخ انداختن
- (18) شیار برای نخ دهی
- (19) سوراخ برای نخ دهی

^(a) کلیه متعلقاتی که در تصویر و یا در متن آمده است، بطور معمول همراه دستگاه ارائه نمی شود. لطفاً لیست کامل متعلقات را از فهرست برنامه متعلقات اقتباس نمایید.

معنی	علامت
عملکرد ممنوع و غیر مجاز	
سر و صدای قابل شنیدن	CLICK!
متعلقات/قطععات یدکی	
حالت توصیه شده برای چمن زنی	
حالت توصیه شده برای بریدن لبه های چمن	
حالت توصیه شده برای چمن زنی زیر بوته / نیمکت	

موارد استفاده از دستگاه

ابزار باغبانی برای کاربری خانگی و بُرش چمن، علف هرزه و گزته در نظر گرفته شده است. این ابزار برای برش چمن رشد کرده در بیشه در جاهایی دارای مانع و گوشه که با دستگاه چمن زن قابل دسترسی نیست تولید شده است. این ابزار باغبانی برای کاربری به عنوان چمن زن موتوری در نظر گرفته شده است. این ابزار باغبانی برای کاربری تجاری و صنعتی در نظر گرفته نشده است.

محتویات ارسالی (رجوع شود به تصویر B)

ابزار باغبانی را با احتیاط از بسته بندی بیرون آورید و امتحان کنید آیا اجزای زیر کامل هستند:

- چمن زن
- قاب محافظ
- چرخ ابزار

مشخصات فنی

UniversalGrassCut 18V-26	UniversalGrassCut 18V-260	چمن زن/چمن زن لبه ها
3 600 HC1 E..	3 600 HC1 D..	شماره فنی
3 600 HC1 D03		
18	18	=V ولتاژ نامی
7300	7300	min ⁻¹ سرعت در حالت آزاد
1.6	1.6	میلیمتر قطر نخ برش
26	26	cm قطر دایره برش
6	6	m ظرفیت قرقره نخ
120 - 140	120 - 140	cm تغییر ارتفاع
●	●	دسته تاشو
●	●	برش لبه ها

UniversalGrassCut 18V-26	UniversalGrassCut 18V-260	چمن زن/چمن زن لبه ها
●	●	حفاظ گیاه/چرخ
2.3	2.3	وزن مطابق استاندارد EPTA-Procedure 01:2014
2.7	2.7	kg
		kg
		بسته (با باتری)
		شماره فنی/شماره سری
رجوع کنید به برچسب روی ابزار باغبانی		
0 ... +35	0 ... +35	دمای توصیه شده محیط هنگام شارژ
-20 ... +50	-20 ... +50	دمای مجاز محیط هنگام کار ^(A) و هنگام نگهداری
		نوع باتری شارژی
PBA 18V...W- 1,5 Ah, 2,0 Ah, 2,5 Ah, 4,0 Ah, 6,0 Ah	PBA 18V...W- 1,5 Ah, 2,0 Ah, 2,5 Ah, 4,0 Ah, 6,0 Ah	

(A) توان محدود برای دمای $0^{\circ}\text{C} <$

AL 1880 CV	AL 1830 CV	AL 1820 CV	AL 1810 CV	دستگاه شارژ باتری
8.0	3.0	2.0	1.0	A
				جریان شارژ
				زمان شارژ (باتریها خالی هستند)
27	33	50	94	دقیقه
				- باتری با 1,5 Ah
30	45	65	124	دقیقه
				- باتری با 2,0 Ah
36	60	95	154	دقیقه
				- باتری با 2,5 Ah
35	95	125	244	دقیقه
				- باتری با 4,0 Ah
62	130	150	364	دقیقه
				- باتری با 6,0 Ah
0.60	0.40	0.48	0.17	kg
				وزن مطابق استاندارد EPTA-Procedure 01:2014
				4
II/□	II/□	II/□	II/□	کلاس ایمنی

صفحه	تصویر	نوع عملکرد
44	O	سرویس، تمیز کردن و نگهداری
45	P	متعلقات

نحوه نصب و کاربرد

صفحه	تصویر	نوع عملکرد
34	A	اجزاء دستگاه
35	B	محتویات ارسالی
35	C	نصب کردن قاب محافظ
36	D	تنظیم ارتفاع کار
37	E	باز کردن دسته
37	F	نصب چرخ
38	G	شارژ و نصب باتری
38	H	نمونه روشن و خاموش کردن
39	I	حالت توصیه شده برای چمن زنی
40	J	حالت توصیه شده برای بریدن لبه های چمن
41	K	حالت توصیه شده برای چمن زنی زیر بوته/نیمکت
42	L	برداشتن قرقره ی نخ
43	M	نخ کردن قرقره
44	N	نصب قرقره ی نخ

نصب

◀ توجه: قبل از انجام کارهای مونتاژ، ابزار باغبانی را خاموش کنید و باتری را درآورید.

نصب قاب محافظ (رجوع کنید به تصویر C)

قاب محافظ (5) را روی سر چمن زن بگذارید تا صدای کلیک به گوش برسد. قاب محافظ (5) را با پیچ روی سر چمن زن سفت کنید. پیچها هنگام ارسال روی پایین بدنه نصب هستند. هرگز چمن زن را بدون قاب محافظ (5) بکار نبرید. پس از نصب قاب محافظ (5) نباستی آن را از چمن زن جدا کرد.

تنظیم ارتفاع کاری (رجوع کنید به تصویر D)

دکمه (10) را فشار دهید و چمن زن را روی ارتفاع دلخواه تنظیم کنید. دکمه (10) را رها کنید.

نصب/برداشتن باتری (رجوع کنید به تصویر G)

تذکر: در صورت استفاده از باتری های نامناسب، امکان بروز اختلال در عملکرد یا آسیب دیدگی دستگاه وجود دارد.

باتری شارژ شده (2) را قرار دهید. مطمئن شوید که باتری کاملاً جا افتاده است.
برای برداشتن باتری ها (2) از دستگاه، دکمه آزاد کننده قفل (1) را فشار دهید و باتری را بیرون بکشید.

فرآیند شارژ

به محض اتصال دوشاخه دستگاه شارژ در پریز و فیش شارژر و باتری (2) در دستگاه شارژ (12) شروع می شود.

توسط فرآیند هوشمند شارژ، وضعیت شارژ به طور خودکار تشخیص داده می شود و بر حسب دمای باتری و ولتاژ، جریان شارژ بهینه انتخاب می شود. با این روش طول عمر باتری افزایش یافته و به هنگام نگهداری آن در داخل دستگاه شارژ همواره بطور کامل، شارژ باقی میماند.

مفهوم چراغهای نمایشگر (AL 1810)

چراغ چشمک زن نمایشگر شارژ باتری

فرآیند شارژ بوسیله چشمک زدن نمایشگر شارژ باتری اطلاع داده می شود.



چراغ ممتد نمایشگر شارژ باتری

چراغ ممتد نمایشگر شارژ باتری نمایانگر این است که باتری کاملاً شارژ شده است مجاز شارژ قرار دارد و به همین دلیل شارژ نمی شود. به محض اینکه دمای باتری تحت دمای مجاز قرار بگیرد، باتری شارژ میشود. بدون قرار داشتن باتری، چراغ ممتد نمایشگر شارژ باتری نشاندهنده قرار داشتن دوشاخه در پریز و آماده کار بودن دستگاه شارژ است.



مفهوم اجزاء نمایشگر (AL 1830 CV)

چراغ چشمک زن (تند) وضعیت شارژ باتری سبز

فرآیند شارژ سریع با چشمک زدن نمایشگر سبز شارژ باتری نمایش داده میشود.



نکته: فرآیند شارژ سریع تنها در صورت قرار داشتن باتری در محدوده دمای مجاز شارژ ممکن است، رجوع کنید به بخش „مشخصات فنی“.

چراغ چشمک زن (آهسته) وضعیت شارژ باتری سبز

در صورت وضعیت شارژ باتری به مقدار 80% چراغ سبز نمایشگر شارژ باتری آهسته چشمک می زند.



باتری را می توان جهت استفاده ی سریع جدا کرد.

چمن زن را همیشه در حالت کاری بکار برید و هرگز از آن در حالت نگهداری در انبار استفاده نکنید. حالت نگهداری در انبار به معنی جمع شدن کامل چمن زن است. هنگام روشن کردن در حالت کاری، به قفل بودن درست سیستم تنظیم ارتفاع دقت کنید. هنگام جا افتادن، یک صدای کلیک به گوش می رسد.

باز کردن دسته (رجوع شود به تصویر E)

دکمه (7) را فشار دهید. دسته (3) را تا انتها از هم باز و دکمه (7) را رها کنید. دقت کنید که دسته (3) درست قفل شده باشد. هنگام تنظیم دسته (3)، روی آن فشار نیاورید.

نصب چرخ (رجوع کنید به تصویر F)

چرخ (6) را روی سر چمن زن نصب کنید. به حالت صحیح فلش ها روی سر چمن زن توجه کنید. دقت کنید که در این هنگام، قلاب درست در شیار جا بیافتد. چرخ (6) را آنقدر روی سر چمن زن بچرخانید تا اهرم (11) با یک صدای محسوس کلیک جا بیافتد. برای برداشتن، اهرم (11) را تا باز کردن بکشید و چرخ (6) را در جهت مخالف بردارید.

نحوه کاربرد دستگاه

◀ **توجه:** قبل از انجام تنظیمات یا تمیز کاری روی ابزار باغبانی، ابزار باغبانی را خاموش کنید و باتری را درآورید.

نحوه شارژ کردن باتری

◀ **به ولتاژ شبکه توجه کنید!** ولتاژ منبع جریان برق باید با مقادیر موجود بر روی برچسب دستگاه شارژ مطابقت داشته باشد.

باتری شارژی مجهز به سیستم کنترل کننده دما است که شارژ بین 0°C و 35°C را ممکن می سازد. به این ترتیب طول عمر باتری افزایش می یابد. **تذکر:** باتری دستگاه با شارژ اولیه ارسال می شود. برای دست یافتن به توان کامل باتری، بایستی باتری را پیش از اولین بار استفاده، در دستگاه شارژ بطور کامل شارژ کنید.

باتریهای لیتیوم-یونی را می توان همیشه شارژ کرد، بدون اینکه از طول عمر آنها کاسته شود. قطع شارژ باتری به آن آسیبی وارد نمی کند.

باتری لیتیوم-یونی از طریق „Electronic Cell Protection (ECP)“ در مقابل خالی شدن کامل محافظت می شود. در صورت خالی بودن باتری، محصول بوسیله کلید حفاظتی خاموش می شود؛ ابزار باغبانی دیگر کار نمی کند.

پس از خاموش شدن خودکار دستگاه، دوباره روی کلید خاموش/روشن فشار نیاورید. امکان آسیب دیدن باتری وجود دارد.

به نکات مربوط به نحوه از رده خارج کردن باتری توجه کنید.

دکمه (4) را فشار دهید و زاویه 48° را برای چمن زنی تنظیم کنید.

چمن زن را به راست و چپ حرکت دهید و هنگام کار به وجود فاصله کافی از نسبت به بدن خود دقت کنید. چمنهای بلندتر را در چند مرحله ببرید.

برش لبه ها (رجوع کنید به تصویر J)

دکمه (4) را فشار دهید و زاویه 36° را برای برش لبه ها تنظیم کنید. دسته را به مقدار 180° بچرخانید و سپس چمن زن را در جهت عقربه های ساعت به حالت کاری دلفواه برانید.

چمن زن را در امتداد لبه های چمن برانید. با کاربرد چرخ از تماس با سطوح سخت یا دیوارها جهت جلوگیری از فرسایش سریع نخ بهره‌بیرید.

برش درختان و بوته ها (رجوع کنید به تصویر K)

دکمه (4) را فشار دهید و زاویه 24° را برای درختان و بوته ها تنظیم کنید.

اطراف درختان و بوته ها را با احتیاط ببرید تا از تماس آنها با نخ برش جلوگیری شود. ممکن است که درختان در صورت آسیب دیدگی پوسته آنها از بین بروند.

جدا کردن قرقره، جمع کردن نخ و نصب قرقره (رجوع کنید به تصویر N - L)

◀ باتری را قبل از تعویض قرقره درآورید.

هر دو لبه درپوش قرقره را فشار دهید و درپوش قرقره (13) را بردارید. سپس قرقره خالی (14) را بردارید.

حدود 6 m نخ از کلاف نخ را ببرید. انتهای نخ را در گیرنده نخ (15) قرقره برانید. نخ را زیر قلاب (17) بیاندازید. سپس نخ را از میان شیار (18) به قرقره برانید. سپس نخ را یکدست و کشیده پیچانید.

انتهای دیگر نخ را از میان سوراخ (19) در سر چمن زن برانید و قرقره را دوباره در سر چمن زن قرار دهید. قرقره را با گذاشتن سرپوش قرقره (13) تثبیت کنید.


سرپوش قرقره (13) را تنها می توان در یک حالت نصب کرد.

پر کردن نخ

IntelliFEED

چمن زن مجهز به یک سیستم IntelliFEED چرخاندن قرقره می باشد که قطر برش را ثابت نگه می دارد.

چراغ ممتد سبز نمایشگر شارژ باتری

Full باتری کاملاً شارژ شده است. 

بدون قرار داشتن باتری، چراغ ممتد نمایشگر شارژ باتری نشاندهنده قراردادن دوشاخه در پریز و آماده کار بودن دستگاه شارژ است.

چراغ ممتد قرمز نمایشگر شارژ باتری

Low باتری نشان می دهد که دمای باتری خارج از محدوده دمای مجاز شارژ قرار دارد، رجوع کنید به بخش "مشخصات فنی". به محض رسیدن به محدوده ی دمای مجاز، دستگاه شارژ به طور خودکار به حالت فرآیند شارژ سریع تغییر می کند.

چراغ چشمکزن قرمز نمایشگر شارژ باتری

Flashing چراغ چشمکزن قرمز نمایشگر شارژ باتری نشاندهنده وجود یک اختلال در فرآیند شارژ است رجوع کنید به بخش „خطا - دلایل و راه حل“.

کاربری

- ◀ توجه: قبل از انجام کارهای مونتاژ، ابزار باغبانی را خاموش کنید و باتری را درآورید.
- ◀ پس از خاموش شدن اره چمن زن، نخ برش آن چند ثانیه در حرکت می ماند. قبل از روشن کردن دوباره چمن زن، صبر کنید تا موتور/نخ برش کاملاً بایستد.
- ◀ پشت سر هم به طور کوتاه و چندین بار خاموش و روشن نکنید.
- ◀ استفاده از قطعات برنده بوش توصیه می شود. در صورت استفاده از سایر قطعات برنده ممکن است نتیجه دلفواه بدست نیاید.

خاموش و روشن کردن (رجوع کنید به تصویر H)

برای روشن کردن ابتدا قفل کلید (9) را فشار دهید. سپس کلید قطع و وصل (8) را فشار دهید و آن را فشرده نگهدارید. برای خاموش کردن، کلید قطع و وصل (8) را رها کنید.

چمن زنی/برش لبه ها (رجوع کنید به تصویر I - K)

چمن زنی (رجوع کنید به تصویر I)

جستجوی خطا



چمن زن/چمن زن لبه ها

ایراد	دلیل ممکن	راهنمایی
موتور راه نمی افتد	باتری خالی است	باتری را شارژ کنید.
	باتری خیلی سرد/خیلی داغ است	بگذارید باتری گرم/خنک شود.

ایراد	دلیل ممکن	راهنمایی
ابزار باغبانی با توقف کار می کند	کلید قطع و وصل خراب است	به نمایندگی Bosch مراجعه کنید.
ابزار باغبانی زیر فشار است	اتصال درونی کابل‌های ابزار باغبانی معیوب است	به نمایندگی Bosch مراجعه کنید.
ابزار باغبانی نمی برد	چمن خیلی بلند است	مرحله به مرحله ببرید.
فرقره نخ نمی دهد	نخ برش خیلی کوتاه/پاره شده است	به طور دستی نخ بدهید.
	فرقره خالی است	فرقره را عوض کنید.
	نخ برش در فرقره گیر کرده است	فرقره را کنترل و در صورت لزوم نخ برش را دور فرقره بپیچانید.
	فرقره خالی است	فرقره نخ را پر کنید.
	نخ برش درست پیچانده نشده است	نخ برش را از نو بپیچانید.
	نخ برش پیچانده شده زیاد است	نخ برش را به اندازه طول واقعی کوتاه کنید.
نخ برش گوریده است	اشکال در سیستم نخ دهی	به نمایندگی Bosch مراجعه کنید.
نخ برش در فرقره جمع می شود	نخ برش خیلی کوتاه/ پاره شده است	فرقره را بردارید و نخ فرقره را دوباره بگذارید (رجوع کنید به تصویر L - N).
نخ برش مرتب پاره می شود	نخ برش در فرقره گیر کرده است	فرقره را بردارید و نخ فرقره را دوباره بپیچانید (رجوع کنید به تصویر L - N).
	کاربری نادرست با چمن زن	تنها با نوک نخ برش ببرید؛ از تماس با سنگ، دیوار و سایر اجسام سفت خودداری کنید. نخ برش را مرتب پر کنید تا قطر کامل دایره برش حاصل گردد.
چمن زن به طور غیر عادی می لرزد	رینگ مهار یا سرپوش فرقره درست روی فرقره نصب نیست	رینگ مهار یا سرپوش فرقره را روی فرقره دهید.
	رینگ مهار اشتباه قرار دارد	رینگ مهار را درست قرار دهید.
	سیستم برش آسیب دیده است	به نمایندگی Bosch مراجعه کنید.
	رینگ مهار، فرسوده شده است	متعلقات فرقره با رینگ مهار را نو بخرید.

باتری و دستگاه شارژ

ایرادها	دلیل ممکن	راهنمایی
نمایشگر وضعیت شارژ قرمز چشمک می زند	باتری (درست) قرار نگرفته است	باتری را درست روی دستگاه شارژ قرار دهید.
فرآیند شارژ ممکن انجام نمی شود	کنتاکت های باتری آلوده شده اند	اتصال‌های باتری را تمیز کنید؛ مثلاً با درآوردن و جازدن پی‌اپی، در صورت نیاز باتری را عوض کنید.
	باتری قابل استفاده نمیباشد	باتری را تعویض نمایید.
نمایشگرهای شارژ باتری روشن نمی شوند	دو شاخه اتصال دستگاه شارژ یا به جریان برق متصل نیست و یا اینکه (به درستی) متصل نیست	دو شاخه اتصال به جریان برق را (بطور کامل) در داخل پریز برق فشار بدهید.
	دو شاخه اتصال، کابل برق و یا دستگاه شارژ ایراد دارد	ولتاژ شبکه را کنترل نمایید، دستگاه شارژر در صورت لزوم از طرف یک شرکت مجازی که خدمات پس از فروش برای ابزارآلات برقی شرکت بوش را ارائه می‌دهد کنترل شود.

برای هرگونه سؤال و یا سفارش قطعات بدکی، حتماً شماره فنی 10 رقمی کالا را مطابق برچسب روی ابزار برقی اطلاع دهید.

ایران

روبرت بوش ایران - شرکت بوش تجارت پارس
میدان ونک، خیابان شهید خدای، خیابان آفتاب
ساختمان مادیران، شماره 3، طبقه سوم.
تهران 1994834571
تلفن: 42039000 +9821

آدرس سایر دفاتر خدماتی را در ادامه ببایید:
www.bosch-pt.com/serviceaddresses

حمل دستگاه

باتری های لیتیوم یونی توصیه شده، مشمول الزامات قانون کالاهای خطرناک هستند. کاربر می تواند باتری ها را بدون استفاده از روکش در خیابان حمل کند.

در صورت ارسال توسط شخص ثالث (مانند: حمل و نقل هوایی یا زمینی) باید تمهیدات مربوط به بسته بندی و علامتگذاری مورد توجه قرار گیرد. در اینصورت باید حتما جهت آماده سازی قطعه ارسالی به کارشناس حمل کالاهای پر خطر مراجعه کرد. باتریها را فقط در صورتی ارسال کنید که بدنه آنها آسیب ندیده باشد. اتصالات (کنتاکتهای) باز را پوشانید و باتری را طوری بسته بندی کنید که در بسته بندی تکان نخورد. در این باره لطفاً به مقررات و آیین نامه های ملی توجه کنید.

از رده خارج کردن دستگاه

ابزار های باغبانی، باتری ها، متعلقات و بسته بندی آن، باید طبق مقررات حفظ محیط زیست از رده خارج و بازیافت شوند.

محصولات و باتری ها/ باتری های قابل شارژ را داخل زباله دان خانگی نیندازید!



فقط برای کشورهای عضو اتحادیه اروپا:

دستگاههای کهنه و غیر قابل استفاده طبق آئین نامه و دستورالعمل اروپائی 2012/19/EU و باتریهای خراب یا فرسوده براساس آیین نامه ی اروپایی 2006/66/EG بایستی جداگانه و متناسب با محیط زیست جمع آوری شوند.

در صورت دفع نادرست ضایعات تجهیزات الکتریکی و الکترونیکی، به دلیل وجود احتمالی مواد خطرناک، اثرات مضر بر محیط زیست و سلامت انسان خواهند داشت.

باتریهای شارژی/قلمی:

لیتیوم-یونی:

لطفاً به تذکرات بخش (رجوع کنید به „حمل دستگاه“، صفحه 32) توجه کنید.

باتری های قلمی/شارژی:

باتری های شارژی داخلی را فقط باید توسط متخصص بیرون آورده شود. از طریق باز کردن درب بدنه ممکن است دستگاه خراب شود.

باتری های معمولی/باتری های قابل شارژ را داخل زباله خانگی، در آتش یا داخل آب نیندازید. باتری

مراقبت و سرویس

سرویس، تمیز کردن و نگهداری

قبل از هر گونه کاری روی ابزار باغبانی (از قبیل سرویس، تعویض ابزار و غیره) و نیز حمل و نقل و نگهداری، باتری را از ابزار اندازه گیری بیرون آورید. در صورت تماس ناخواسته و اتفاقی با کلید قطع و وصل، خطر آسیب دیدگی و بروز جراحت وجود دارد.

جهت کار کردن خوب و مطمئن، محصول را تمیز نگه دارید.

هیچ جسمی را روی ابزار باغبانی قرار ندهید. محصول و درجه ی تهویه را برای کارایی خوب و امن تمیز نگه دارید.

مانع پاشش آب به محصول شوید.

محصول را در آب فرو نکنید.

محصول را در یک جای خشک، امن و دور از دسترس کودکان قرار دهید.

هیچ جسمی را روی محصول قرار ندهید.

از محکم بودن مهره ها، پین ها و پیچ ها مطمئن شوید تا وضعیت کار ایمنی برای محصول تضمین گردد.

محصول را کنترل کنید و قسمت های فرسوده یا آسیب دیده را جهت اطمینان تعویض کنید.

مطمئن شوید که قطعات تعویضی از شرکت بوش باشند.

مراقبت از باتری

جهت تضمین استفاده بهینه از باتری به راهنمایهای زیر توجه کنید:

- باتری شارژی را در برابر رطوبت و تابش مستقیم نور خورشید محفوظ بدارید.

- ابزار باغبانی را شارژ کنید و باتری را در محدوده بین 20°C تا 50°C نگهداری کنید. باتری را در تابستان در ماشین نگذارید.

- باتری را به صورت مجزا و نه در ابزار باغبانی نگهداری کنید.

- باتری را زیر تابش مستقیم نور خورشید در ابزار باغبانی قرار ندهید.

- دمای بهینه جهت نگهداری باتری 5°C است.

- گاه بگاه شیارهای تهویه باتری را بوسیله یک قلم موی یا برس کوچک نرم و خشک تمیز کنید.

مدت زمان کارایی بسیار کوتاه پس از شارژ،

نشاندهنده فرسوده بودن باتری شارژی است و بایستی تعویض شود.

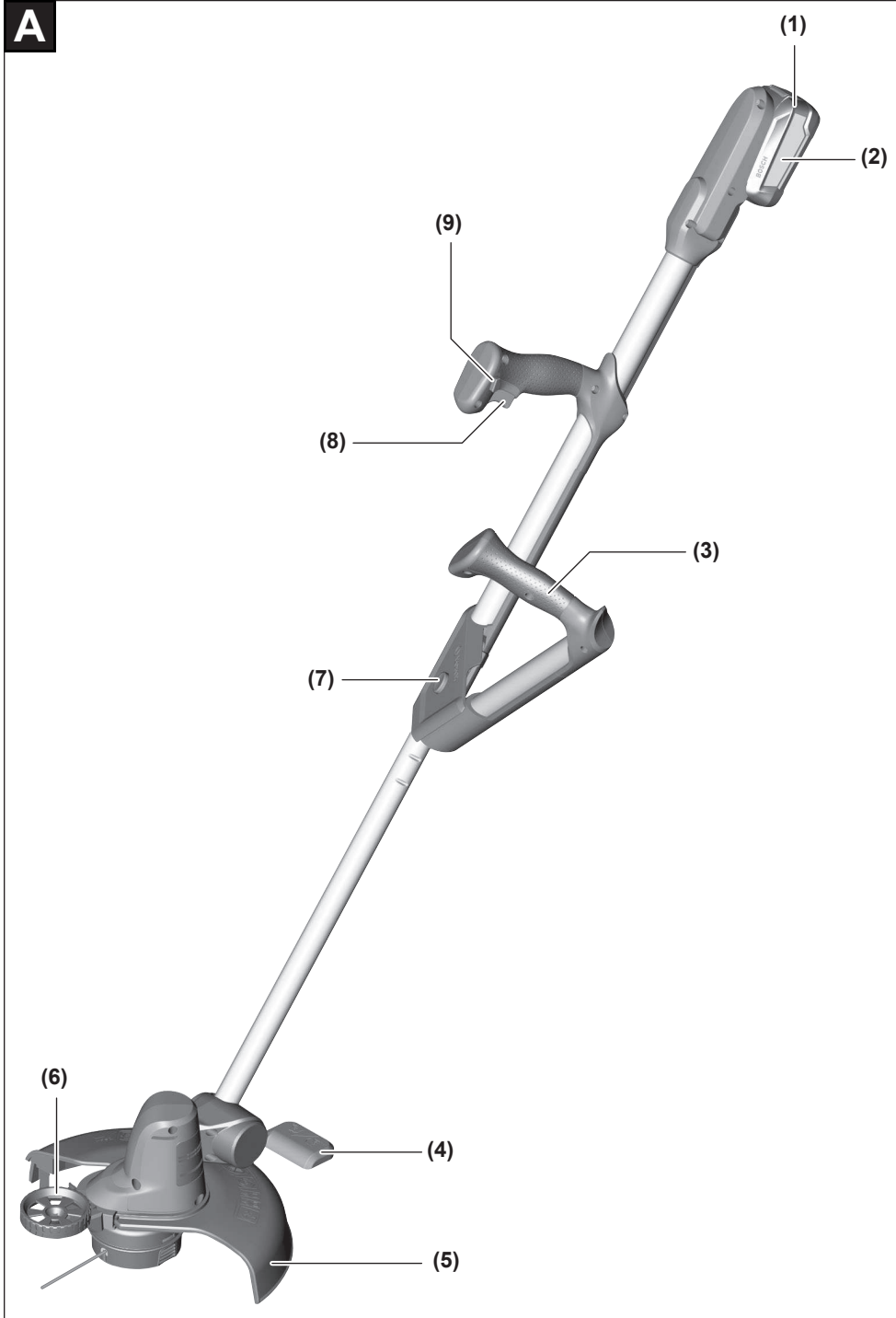
خدمات و مشاوره با مشتریان

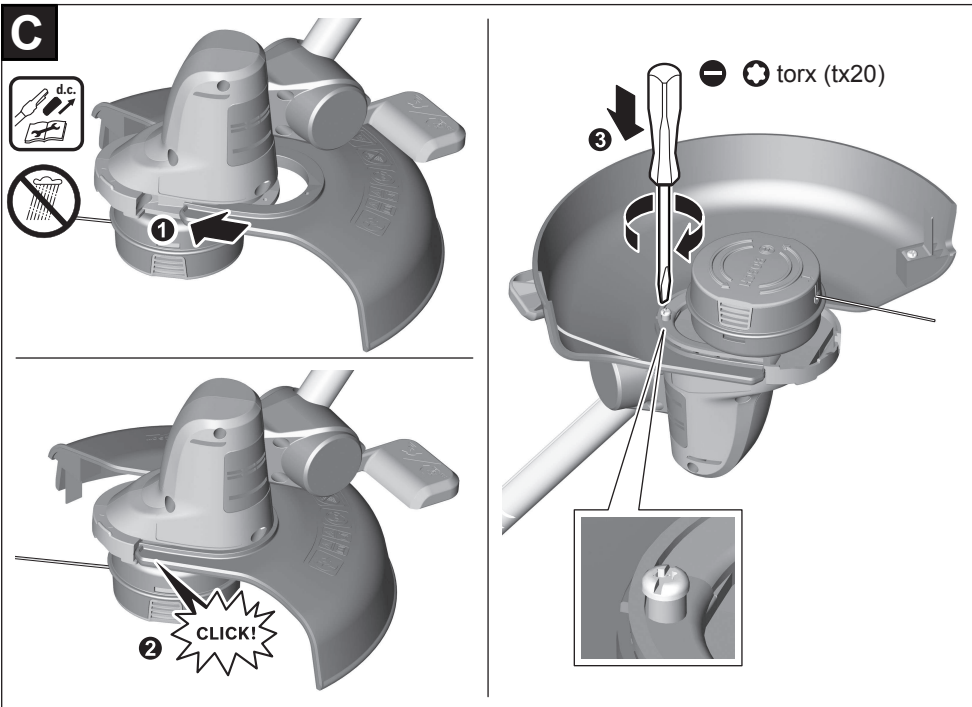
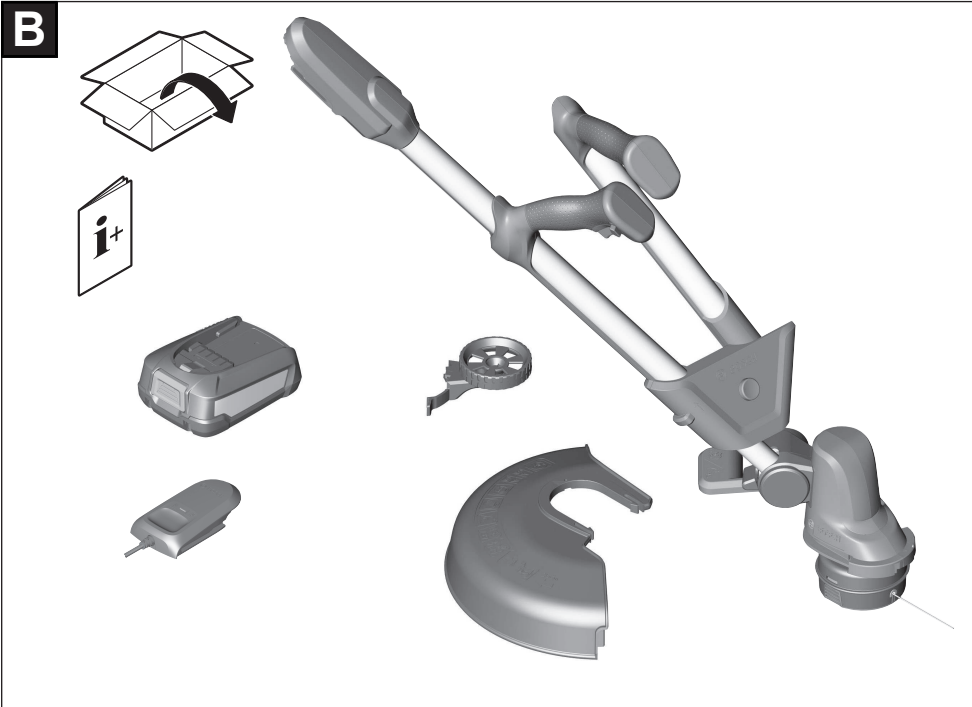
خدمات مشتری، به سئوالات شما درباره تعمیرات، سرویس و همچنین قطعات بدکی پاسخ خواهد داد. نقشه های سه بعدی و اطلاعات مربوط به قطعات بدکی را در تارنمای زیر میبایید:

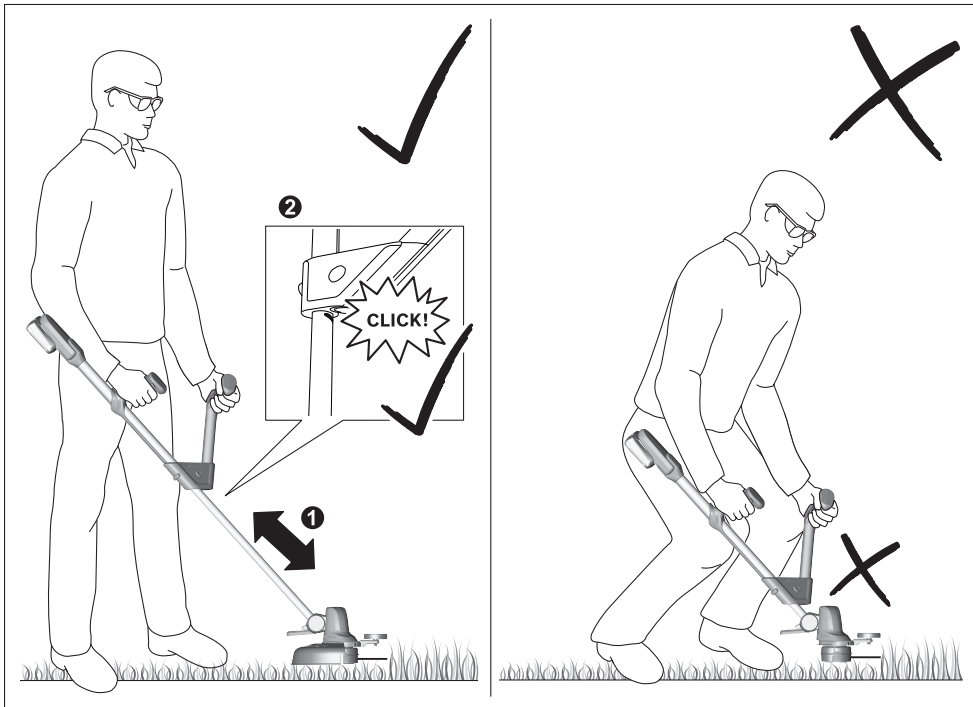
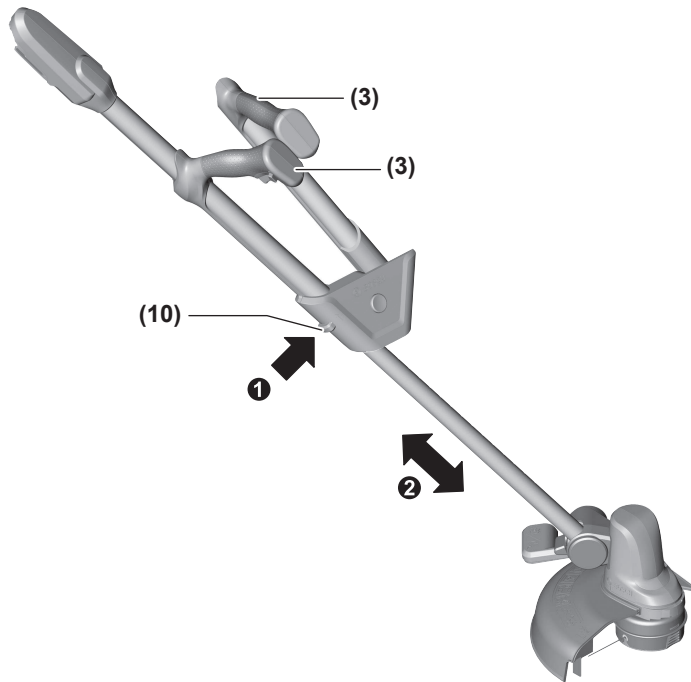
www.bosch-pt.com

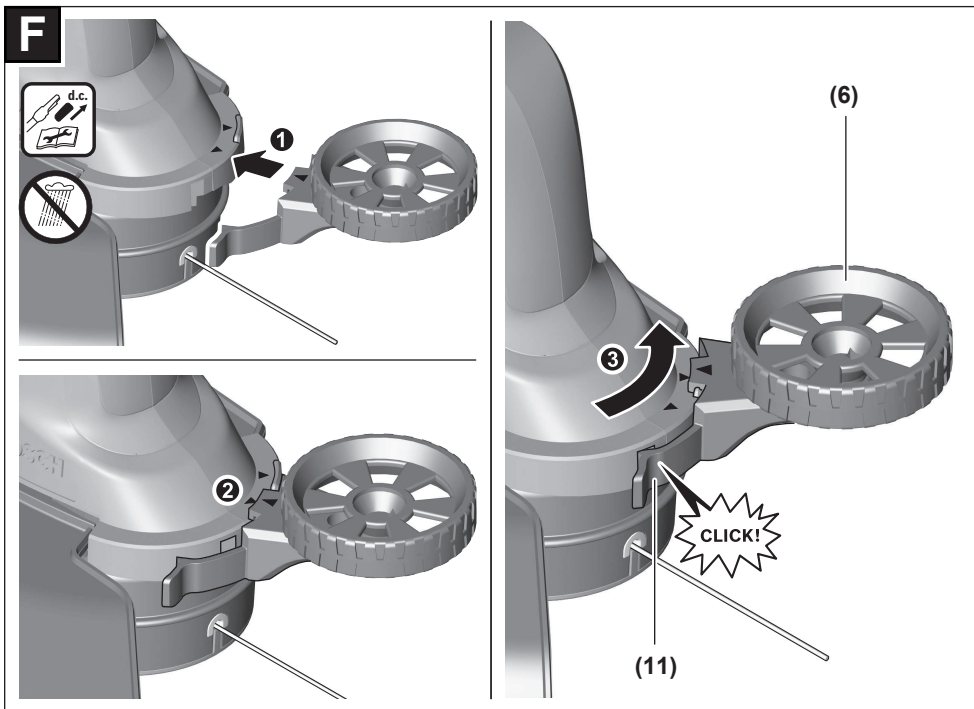
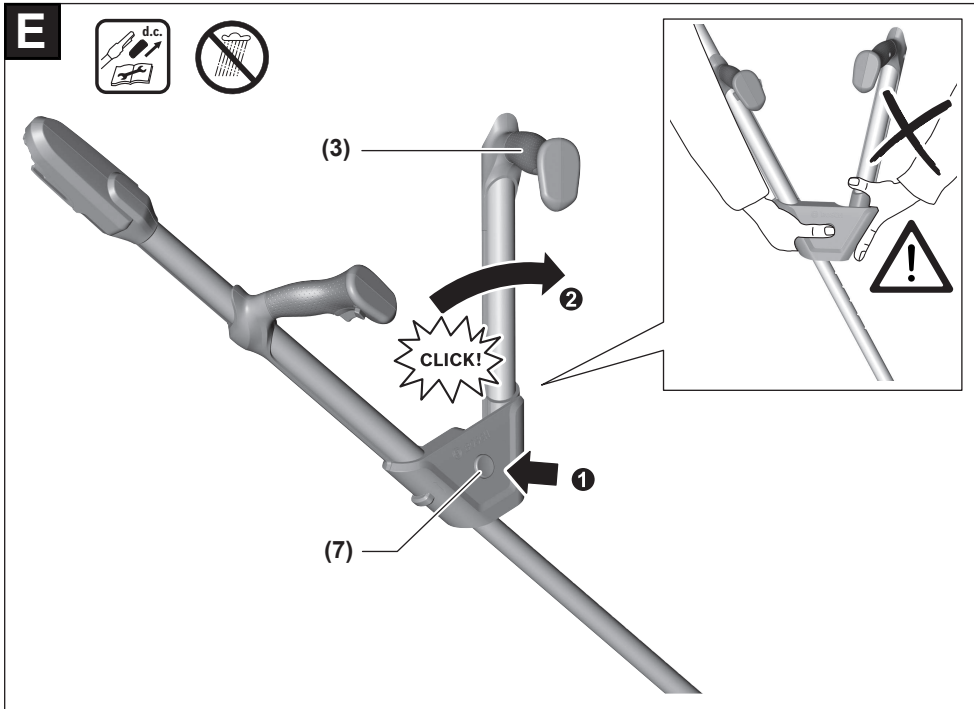
گروه مشاوره به مشتریان Bosch با کمال میل به سئوالات شما درباره محصولات و متعلقات پاسخ می دهند.

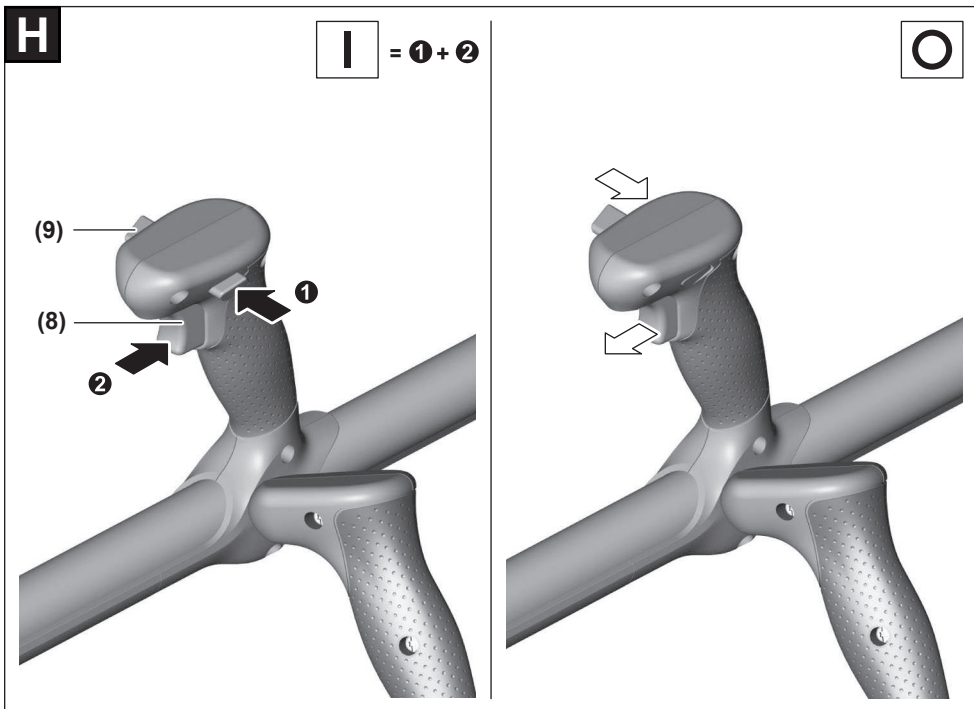
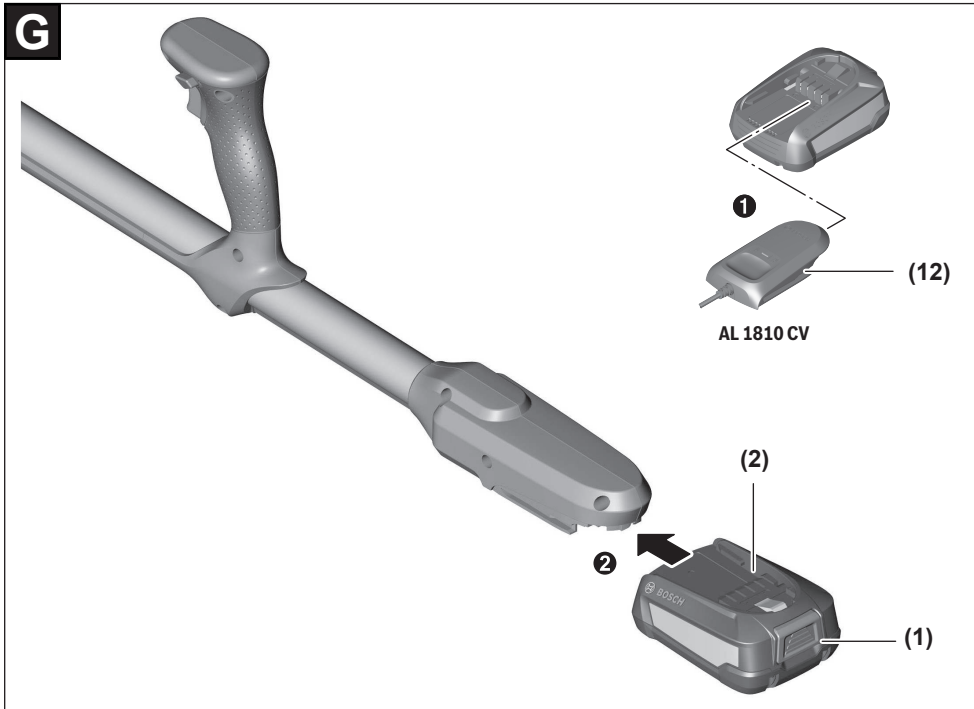
های معمولی/باتری های قابل شارژ باید حتی
الامکان به صورت خالی جمع آوری، بازیافت و یا
متناسب با حفظ محیط زیست از رده خارج شوند.

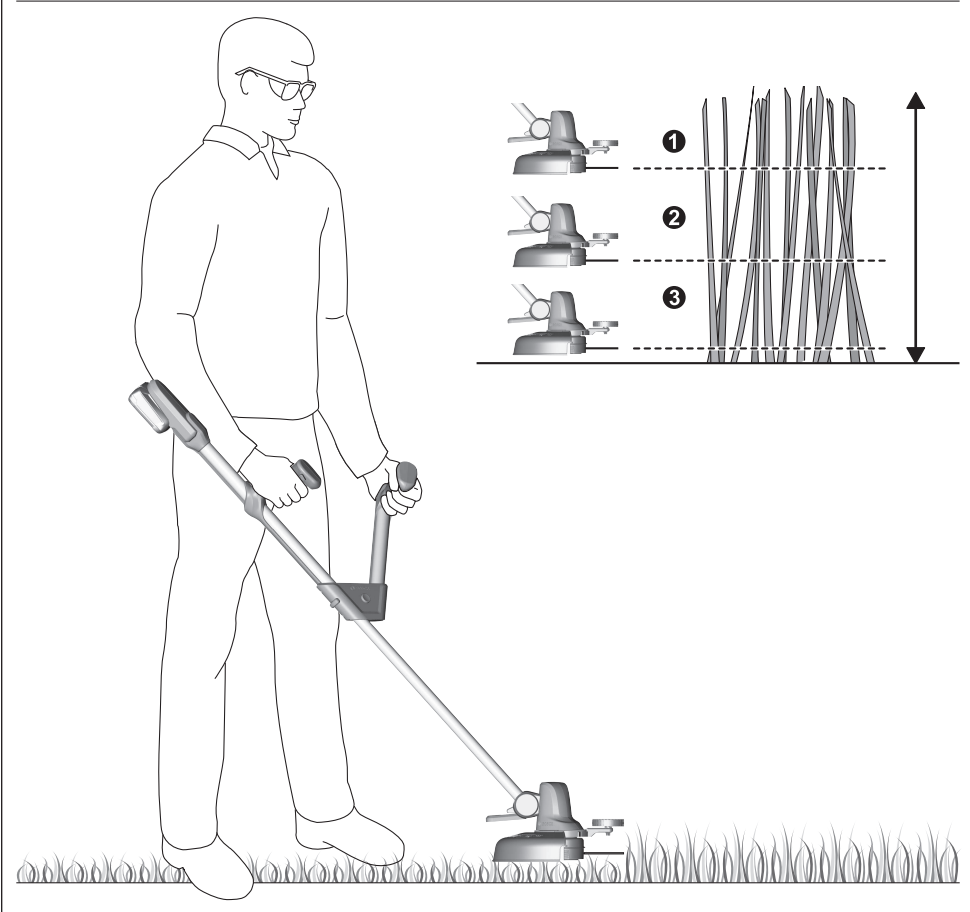
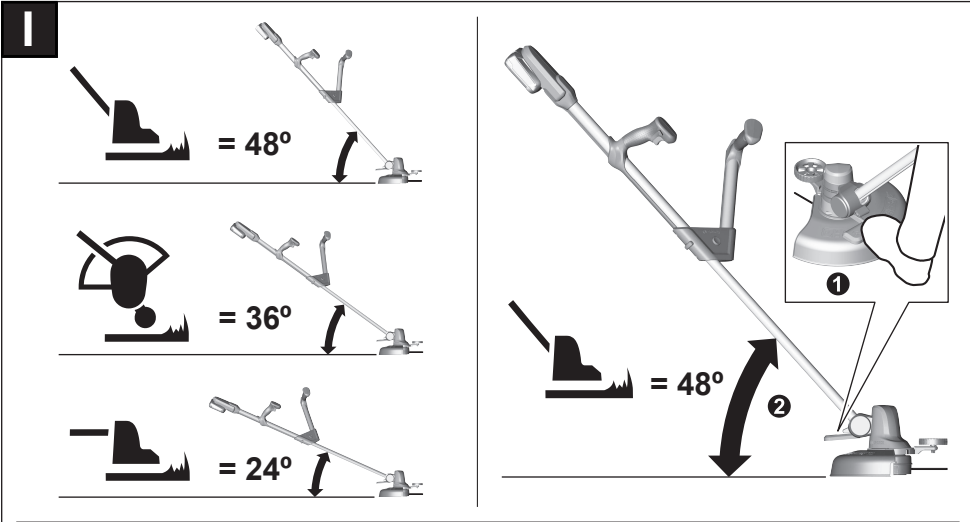
A

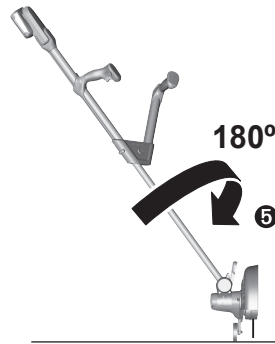
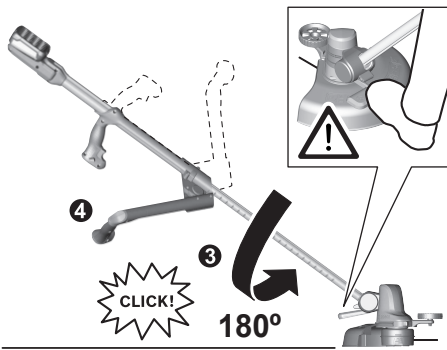
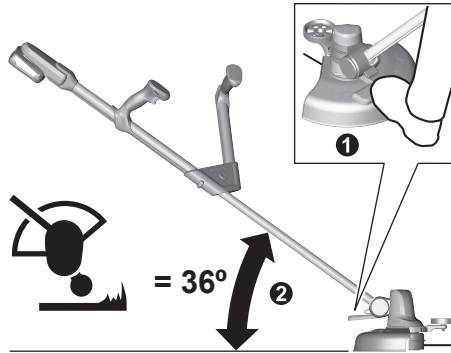


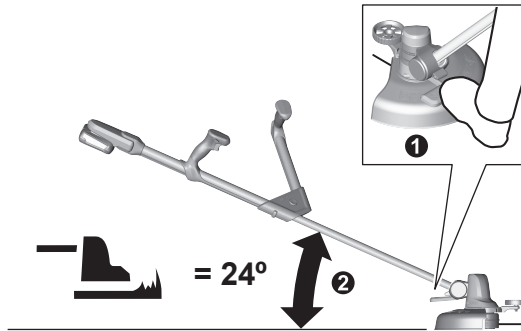
D

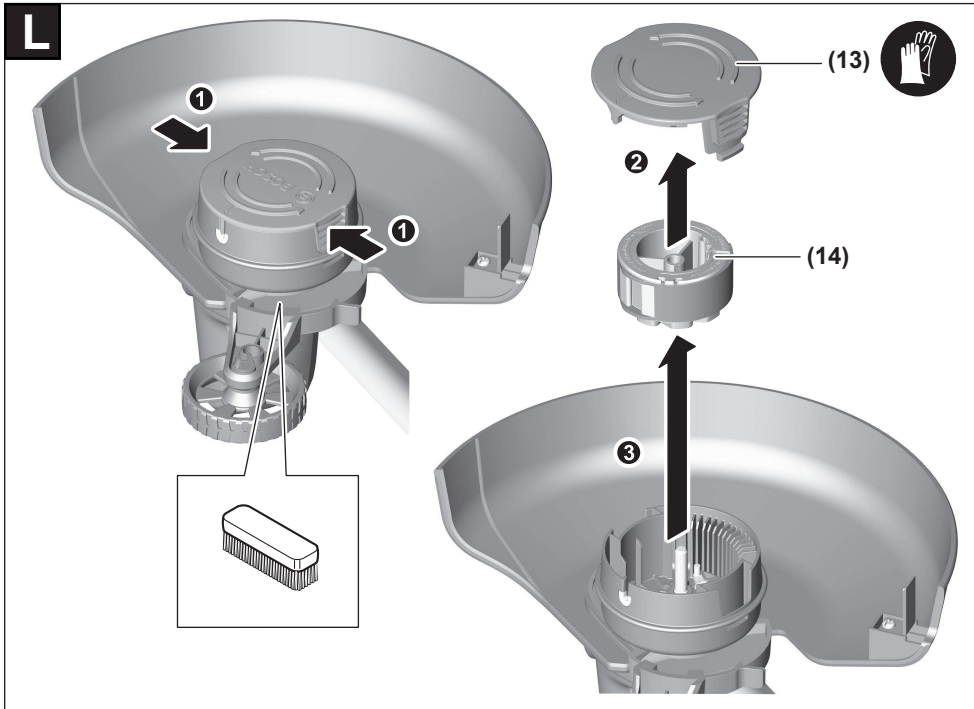




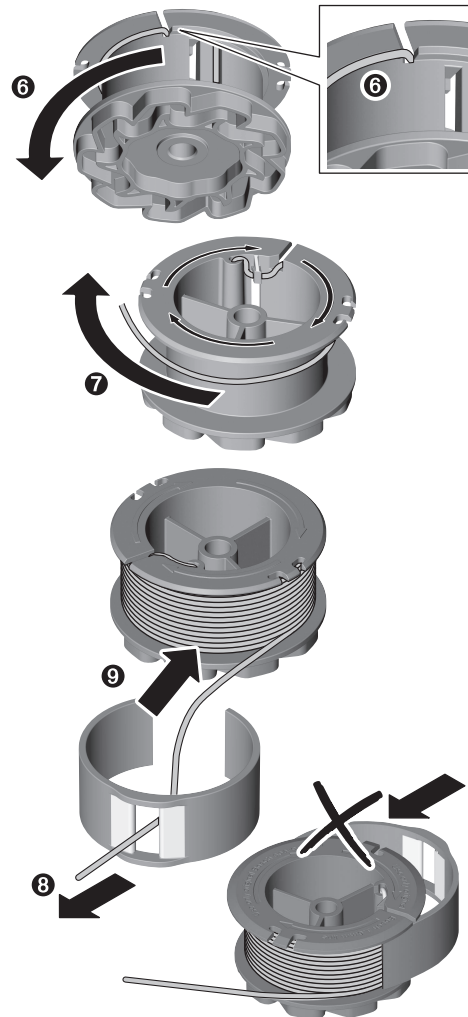
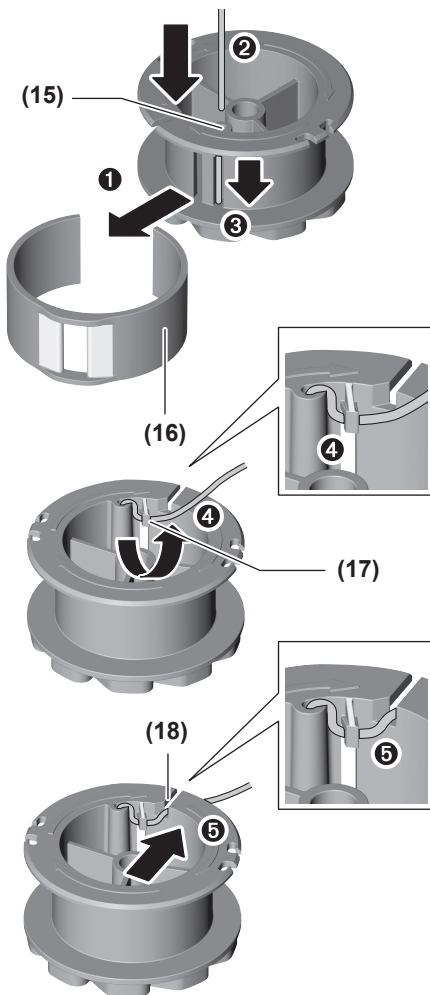
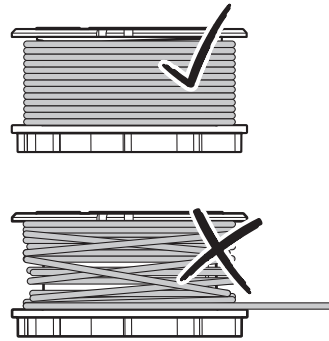
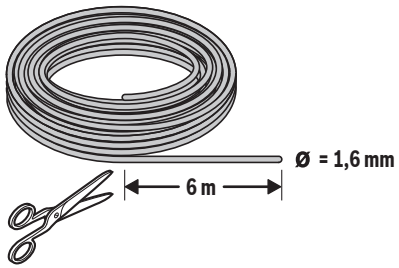


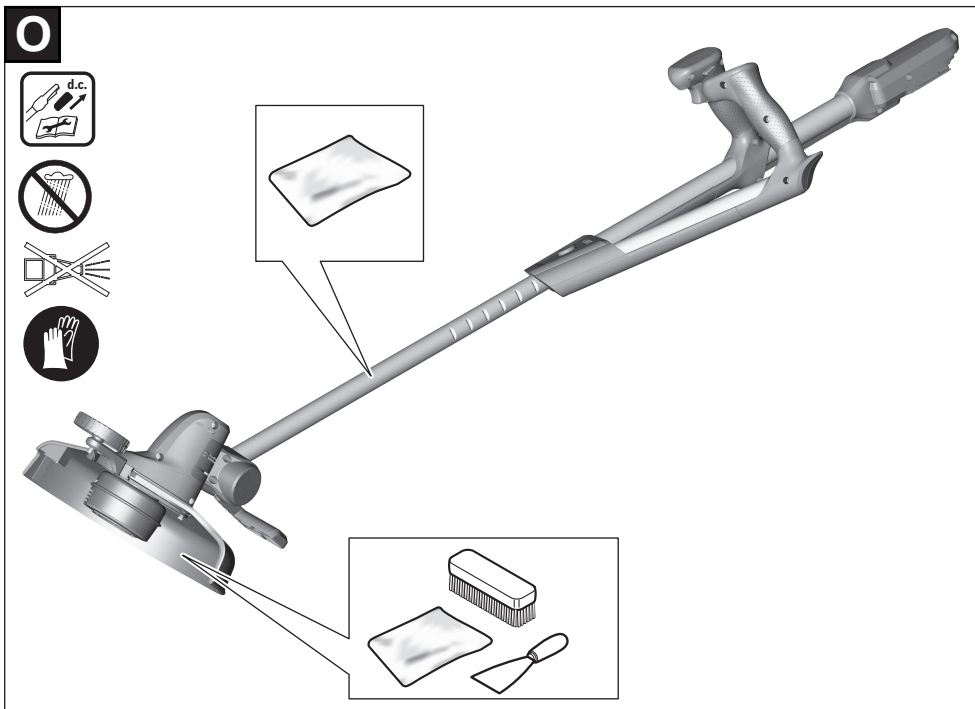
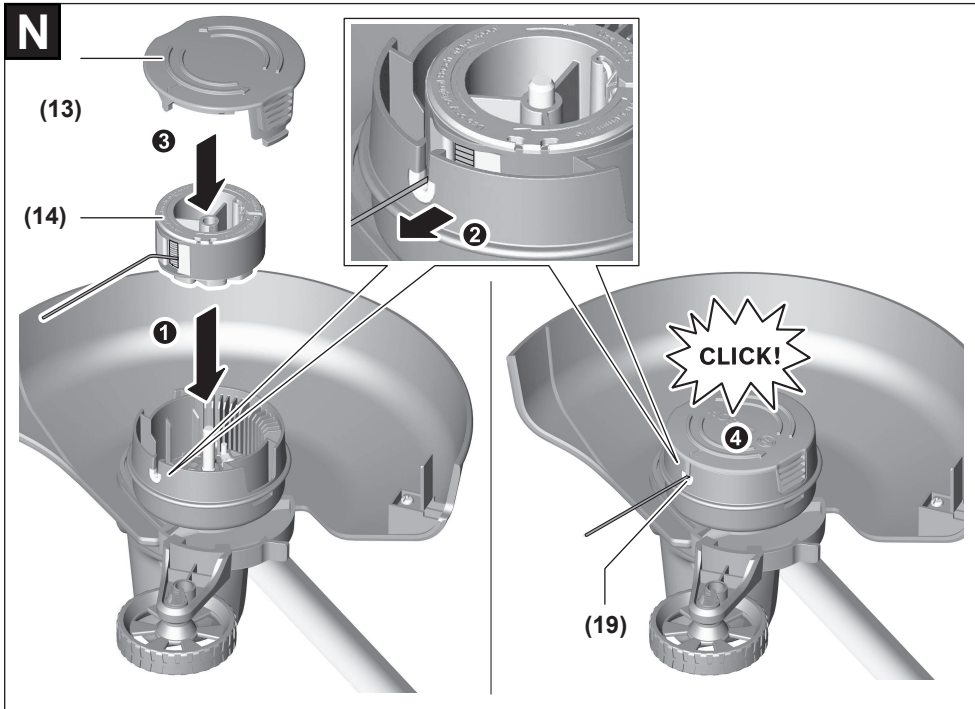
J

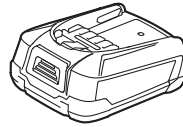
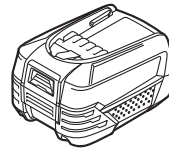
K



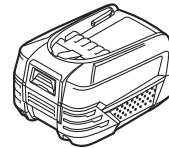
M



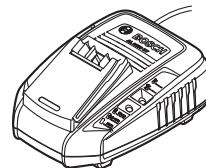
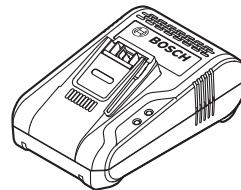


P**18 V LI 2,5 Ah****18 V LI 4,0 Ah**

F 016 800 462

**18 V LI 6,0 Ah**

F 016 800 570

F 016 800 292
F 016 800 314**AL 1810 CV****AL 1830 CV****AL 1880 CV**