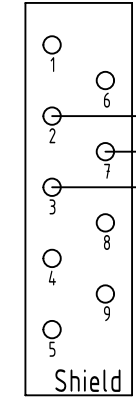
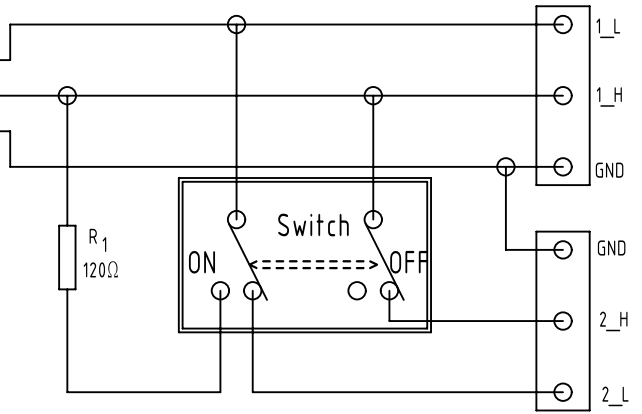


D-Sub 9 poles



CAN Interface



Number	Description
2	Cable clamp 7,0-10,0

	All rights reserved Department EL PD	All Dimensions in mm Original Size DIN A4	Scale 1:1	Free size tol.	Ref. Sub.
		Created by ZHUANGJ	Inspected by LUOK	Standardisation RUETERA	Date 2023-02-21
Title InduCom 9 Female CAN 4-40 UNC		Doc-Key / ECM-Nr. 100073158/UGD/019/G 500000236984			
Type TB		Number 66630096026			Rev. G
Page 1/1					

6663 009 6026 777	S4	Small batch
6663 009 6026	S4	Standard batch
Part number	Performance level	Remark