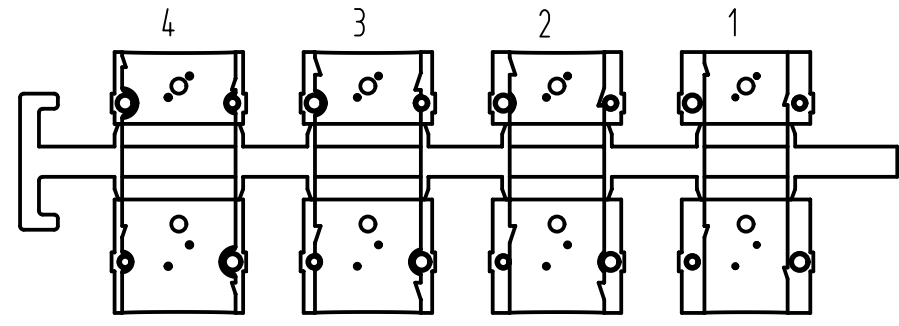
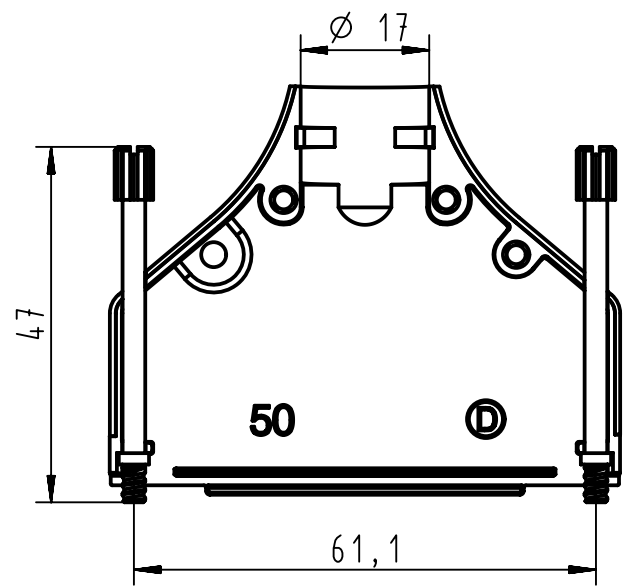
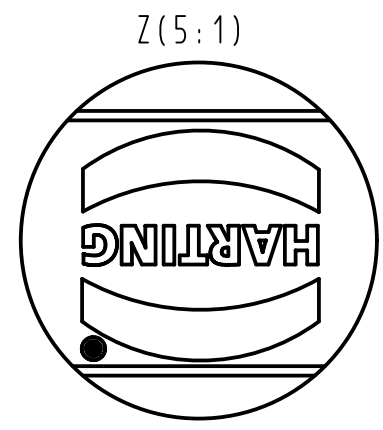
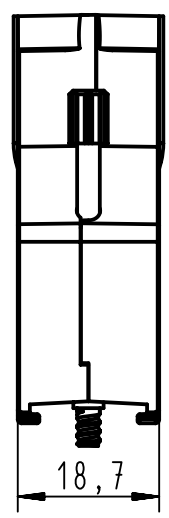
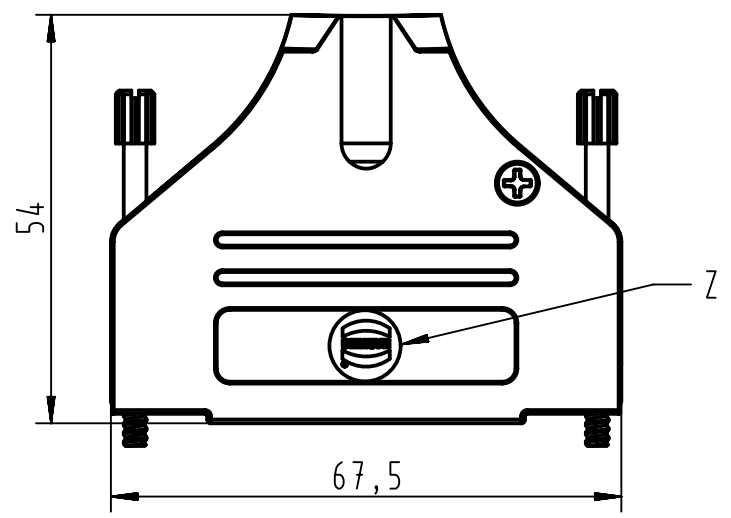


1 2 3 4 5 6

A  
B  
C  
D



Grommet dimensions	
Number	Diameter D
1	∅ 11
2	∅ 12,5
3	∅ 14
4	∅ 15

	All Dimensions in mm Original Size DIN A4	Scale 1:1	Free size tol.	Ref. Sub.
	All rights reserved Department EC PD - FR	Created by DOUGE	Inspected by BAGDIKIAN	Standardisation KOHLER
HARTING Electronics GmbH D-32339 Espelkamp	Title D-Sub Hood 50P top entry full metal	Date 2013-01-29	State Final Release	Doc-Key / ECM-Nr. 100521369/UGD/001/A 500000056836
Part number 09 67 050 0348	screw thread M3	Type TB	Number 09670500348	Rev. A

09 67 050 0348	M3
Part number	screw thread