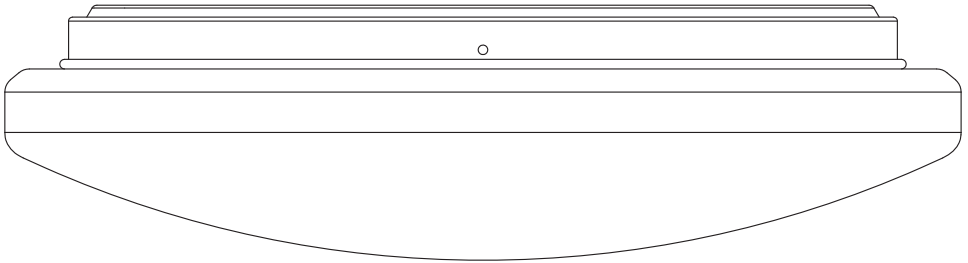


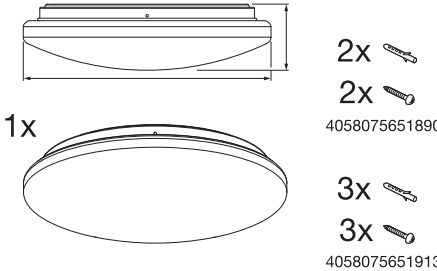
---

**ORBIS PURE**


---

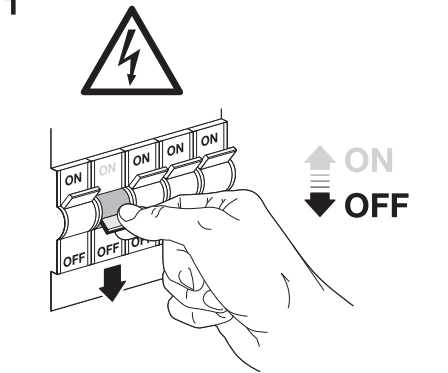


	EAN	W	Lumen module lm	Lumen output lm	K	IP	ΔT (°C)	V~	mA	Hz	DF	👤
<b>ORBIS PURE 300MM 14,5W 830</b>	4058075651890	14.5	1600	1100	3000	20	-20...+40	220-240	105	50/60	>0.7	365 g
<b>ORBIS PURE 400MM 24W 830</b>	4058075651913	24	2700	1800	3000	20	-20...+40	220-240	175	50/60	>0.7	610 g

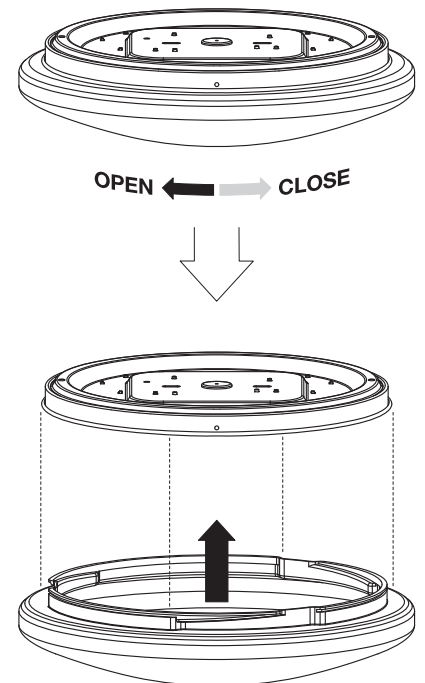


	H (mm)	ø (mm)
ORBIS PURE 300 MM	80	300
ORBIS PURE 400 MM	80	400

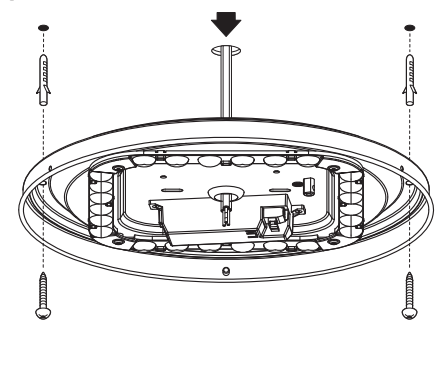
**1**



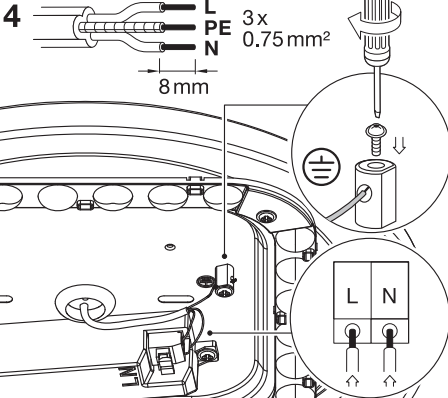
**2**

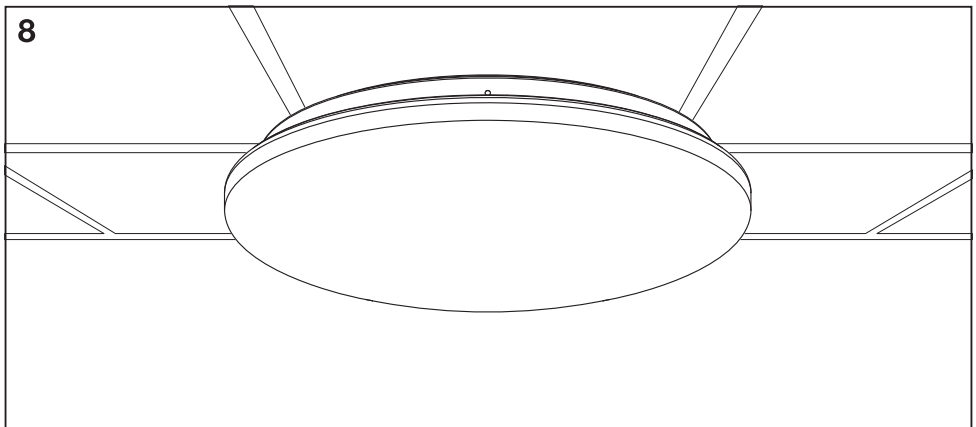
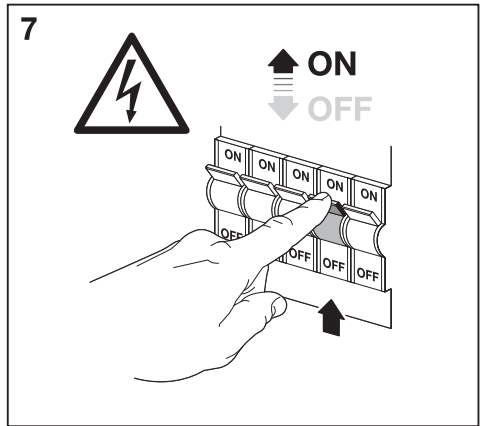
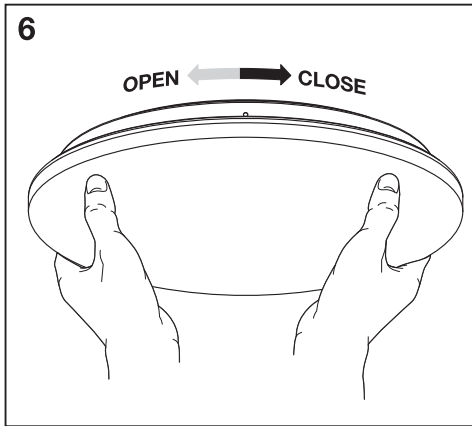
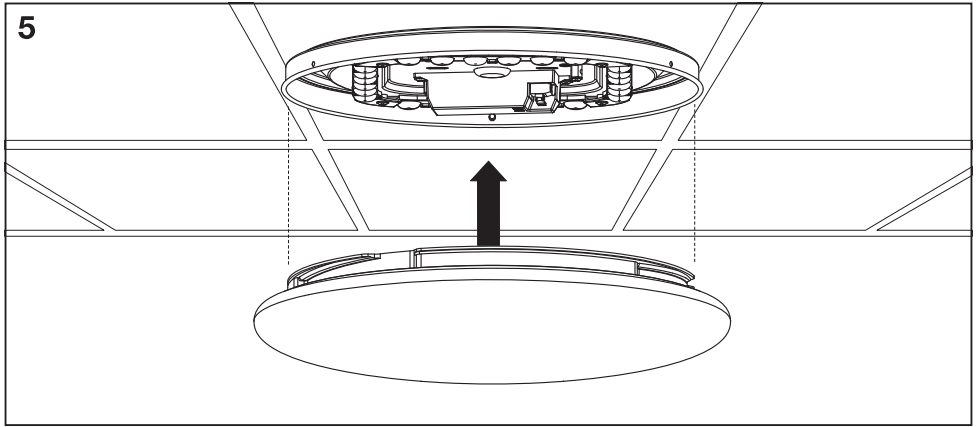




**3**



**4**





	EAN	This product contains a light source of energy efficiency class	Contained Light Source
ORBIS PURE 300MM 14.5W 830	4058075651890	E	
ORBIS PURE 400MM 24W 830	4058075651913	E	



LEDVANCE GmbH  
 Steinerne Furt 62  
 86167 Augsburg, Germany  
[www.ledvance.com](http://www.ledvance.com)