

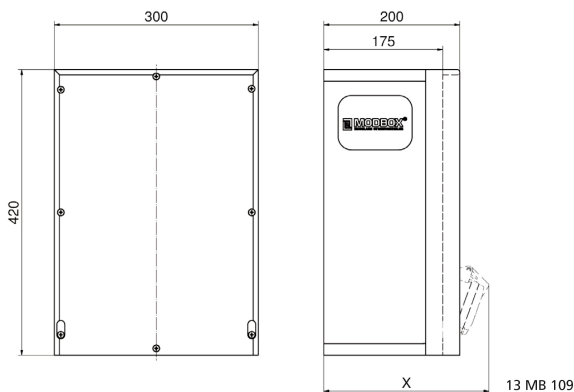
Surface-mounting distributor, rubber - MODBOX



| Product description | |
|---------------------|---|
| BALS-Prd.-Nr | 5401662 |
| EAN | 4024941948647 |
| Product category | MODBOX |
| Protection degree | IP44 |
| Colour of appliance | Housing bottom black s RAL9017, Housing top si black RAL 9017 |
| Height | 420mm |
| Width | 300mm |
| Depth | 175mm |
| RDF factor | 1 |

| Product description | |
|---------------------|----|
| Nominal current InA | 63 |

| Logistics data | |
|----------------|----------------|
| Weight/pcs | 0.0 kg / Piece |
| Packaging | Carton |
| Content amount | 1 ST |
| EAN | 4024941948647 |
| Length | 320 mm |
| Width | 346 mm |
| Height | 511 mm |
| Weight | 0.71 kg |
| Volume | 56,577.92 ccm |



Tiefenmaß/ depth X (mm)

| Bezeichnung/ with | IP44 | IP67 |
|------------------------------------|------|------|
| Schutzk. Steckdose/domestic socket | 192 | 235 |
| CEE 16A 3p | 230 | 230 |
| CEE 16A 4p | 234 | 232 |
| CEE 16A 5p | 237 | 235 |
| CEE 32A 3p/4p | 241 | 243 |
| CEE 32A 5p | 243 | 244 |
| CEE 63A 3p/4p/5p | 259 | 261 |