

Produktdatenblatt

Art. Nr. 91.232.4004.1

### Konfektionierte Leitung GST15I3KS-S 15EW 40SW

GST15i3 Anschlussleitung Stecker - freies Ende, Länge 4,0 m, 3-polig, Kodierung Netz 250 V, 16 A, Kodierfarbe schwarz, Zugentlastungsfarbe schwarz, Leitungsfarbe schwarz, Leiterquerschnitt 1,5 mm<sup>2</sup>, Kabeltyp H05VV-F, Brandklasse: Eca



Art. Nr.	91.232.4004.1
EAN	4049644009884
Bestelleinheit	20 Stück

## Zulassungen



## Technische Daten

### Allgemein

Bemessungsstrom	16 A
Bemessungsspannung	250 V
Bemessungsstoßspannung	4 kV
Verschmutzungsgrad	2
Mechanische Codierung Code	Code 1
Verriegelbar	selbstverriegelnd (mit Werkzeug lösbar)
Codierfarbe / Kontakteinsatz	schwarz
Polkennzeichnung	L, N, PE
Gehäusefarbe mit Zugentlastung	schwarz

### Ausführung

Leiter-Nennquerschnitt	1,5 mm <sup>2</sup>
Schutzart (IP)	IP20
Abisolierlänge	8 mm
Abmantellänge	21 mm
Leiterendenbehandlung	ultraschallverdichtete Aderenden
Typ der Leitung	H05VV-F
Farbe der Leitung	schwarz
Kabeldurchmesser max.	8,3 mm
Leitungsart	Stecker - freies Ende
Art der konfektionierten Leitung	Anschlussleitung
Ausführung Seite 1	freies Leitungsende
Ausführung Seite 2	GST15i3 Stecker

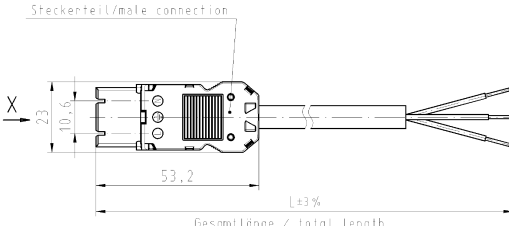
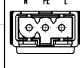
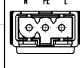
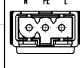
### Werkstoff

Oberflächenbehandlung	versilbert
Halogenfrei	nein
Leitung Dauertemperaturbeständigkeit	70 °C
Isolierteil Dauertemperaturbeständigkeit	100 °C
Brandlast	1,569 kWh
Brandklasse	Eca

### Abmessungen

Gesamtlänge	4 m
-------------	-----

**Technische Zeichnung**

<p>These drawings will be executed, checked &amp; signed by the drafter and approved by the responsible person.</p> <p>These drawings will be executed, checked &amp; signed by the drafter and approved by the responsible person.</p> <p>These drawings will be executed, checked &amp; signed by the drafter and approved by the responsible person.</p> <p>These drawings will be executed, checked &amp; signed by the drafter and approved by the responsible person.</p>		<p>Kabel/cable H05VV-F3G1,5 Farbe/colour: siehe Tabelle/see table</p>	<table border="1" style="width: 100%; border-collapse: collapse;"> <tr> <th>.F</th> <th>Farbe colour</th> <th>Codierung Stacker male</th> <th>Farbe colour</th> </tr> <tr> <td>.1</td> <td>schwarz black</td> <td rowspan="2" style="text-align: center;">  </td> <td>schwarz black</td> </tr> <tr> <td>.2</td> <td>weiß white</td> <td>weiß white</td> </tr> </table>	.F	Farbe colour	Codierung Stacker male	Farbe colour	.1	schwarz black		schwarz black	.2	weiß white	weiß white	<table border="1" style="width: 100%; border-collapse: collapse;"> <tr> <th>Teile-Nr. part-no.</th> <th>L</th> <th>Beispiel (Farbe: schwarz) example (colour: black)</th> <th>Typ type</th> </tr> <tr> <td>91.232.XX04.F</td> <td>XX in dm-Schritten</td> <td>91.232.1004.1 = 10dm/L = 1000mm</td> <td>GST1513KS-S 15 10SW</td> </tr> <tr> <td>U1.232.XX04.F</td> <td>XX in m-Schritten</td> <td>U1.232.1204.1 = 12 m/L=12000mm</td> <td>GST1513KS-S 15 X12SW</td> </tr> </table> <p>Typ/type: GST1513KS-S 15 .. SW = schwarz/black WS = weiß/white</p>	Teile-Nr. part-no.	L	Beispiel (Farbe: schwarz) example (colour: black)	Typ type	91.232.XX04.F	XX in dm-Schritten	91.232.1004.1 = 10dm/L = 1000mm	GST1513KS-S 15 10SW	U1.232.XX04.F	XX in m-Schritten	U1.232.1204.1 = 12 m/L=12000mm	GST1513KS-S 15 X12SW	<p>Furthering nach DIN 2152/Reference system acc. to DIN 9107. This DIN standard describes the envelope principle. According to the envelope principle the deviation of form and position are limited by the size tolerances.</p> <p>Furthering nach DIN 2152/Reference system acc. to DIN 9107. This DIN standard describes the envelope principle. According to the envelope principle the deviation of form and position are limited by the size tolerances.</p> <p>Furthering nach DIN 2152/Reference system acc. to DIN 9107. This DIN standard describes the envelope principle. According to the envelope principle the deviation of form and position are limited by the size tolerances.</p>	<p>Furthering nach DIN 2152/Reference system acc. to DIN 9107. This DIN standard describes the envelope principle. According to the envelope principle the deviation of form and position are limited by the size tolerances.</p> <p>Furthering nach DIN 2152/Reference system acc. to DIN 9107. This DIN standard describes the envelope principle. According to the envelope principle the deviation of form and position are limited by the size tolerances.</p> <p>Furthering nach DIN 2152/Reference system acc. to DIN 9107. This DIN standard describes the envelope principle. According to the envelope principle the deviation of form and position are limited by the size tolerances.</p>	<p>Furthering nach DIN 2152/Reference system acc. to DIN 9107. This DIN standard describes the envelope principle. According to the envelope principle the deviation of form and position are limited by the size tolerances.</p> <p>Furthering nach DIN 2152/Reference system acc. to DIN 9107. This DIN standard describes the envelope principle. According to the envelope principle the deviation of form and position are limited by the size tolerances.</p> <p>Furthering nach DIN 2152/Reference system acc. to DIN 9107. This DIN standard describes the envelope principle. According to the envelope principle the deviation of form and position are limited by the size tolerances.</p>	<p>Furthering nach DIN 2152/Reference system acc. to DIN 9107. This DIN standard describes the envelope principle. According to the envelope principle the deviation of form and position are limited by the size tolerances.</p> <p>Furthering nach DIN 2152/Reference system acc. to DIN 9107. This DIN standard describes the envelope principle. According to the envelope principle the deviation of form and position are limited by the size tolerances.</p> <p>Furthering nach DIN 2152/Reference system acc. to DIN 9107. This DIN standard describes the envelope principle. According to the envelope principle the deviation of form and position are limited by the size tolerances.</p>	<p>Furthering nach DIN 2152/Reference system acc. to DIN 9107. This DIN standard describes the envelope principle. According to the envelope principle the deviation of form and position are limited by the size tolerances.</p> <p>Furthering nach DIN 2152/Reference system acc. to DIN 9107. This DIN standard describes the envelope principle. According to the envelope principle the deviation of form and position are limited by the size tolerances.</p> <p>Furthering nach DIN 2152/Reference system acc. to DIN 9107. This DIN standard describes the envelope principle. According to the envelope principle the deviation of form and position are limited by the size tolerances.</p>
.F	Farbe colour	Codierung Stacker male	Farbe colour																													
.1	schwarz black		schwarz black																													
.2	weiß white		weiß white																													
Teile-Nr. part-no.	L	Beispiel (Farbe: schwarz) example (colour: black)	Typ type																													
91.232.XX04.F	XX in dm-Schritten	91.232.1004.1 = 10dm/L = 1000mm	GST1513KS-S 15 10SW																													
U1.232.XX04.F	XX in m-Schritten	U1.232.1204.1 = 12 m/L=12000mm	GST1513KS-S 15 X12SW																													
<p>Weitere Daten siehe Katalog further data see catalog</p>																																
<p>INSTALL_COUPLER KONFEKT_LEITUNG Stecker/male-tries Ende/Free end 1,5mm Schraubanschluß/screw connection KS 250V</p>																																