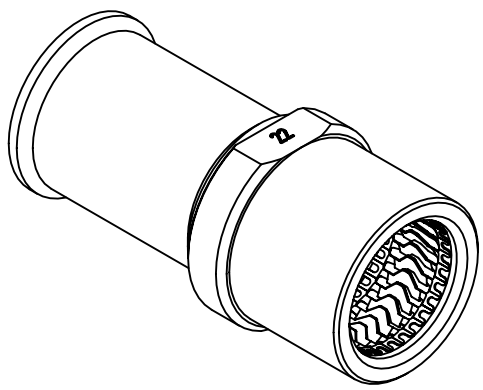


assembly notes see catalogue  
 crimp zone acc. to DIN EN 46235 indicator 22  
 for stranded fine wire acc. to VDE 0295 class 5/ IEC 60228 class 5  
 wire gauge: 150mm<sup>2</sup>  
 stripping length: 42mm



|                              |  |   |                          |                          |                 |                                    |  |
|------------------------------|--|---|--------------------------|--------------------------|-----------------|------------------------------------|--|
|                              | All Dimensions in mm<br>Original Size DIN A4 | Scale 1:1   |                          | Free size tol.           |                 | Ref.                               |  |
|                              |  |   |                          |                          |                 | Sub. TB 09 11 000 6264 v. 24.11.11 |  |
|                              | All rights reserved<br>Department EL PD      | Created by HELLMANN                               | Inspected by NICHTERLEIN | Standardisation SAP_WFRT | Date 2022-07-11 | State Final Release                |  |
|                              |  | Title Han TC650 female contact 150mm <sup>2</sup> |                          |                          |                 |                                    | Doc-Key / ECM-Nr.<br>100215981/UGD/003/D<br>500000220842 |
| HARTING<br>D-32339 Espelkamp |  | Type TB   | Number 09 11 000 6264    |                          |                 | Rev. D                             | Page 1/1   |