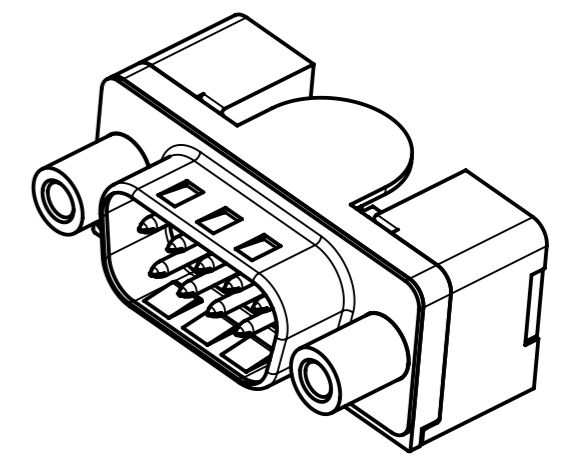
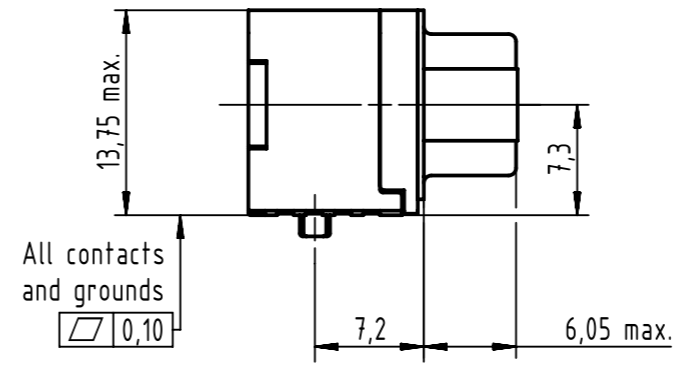
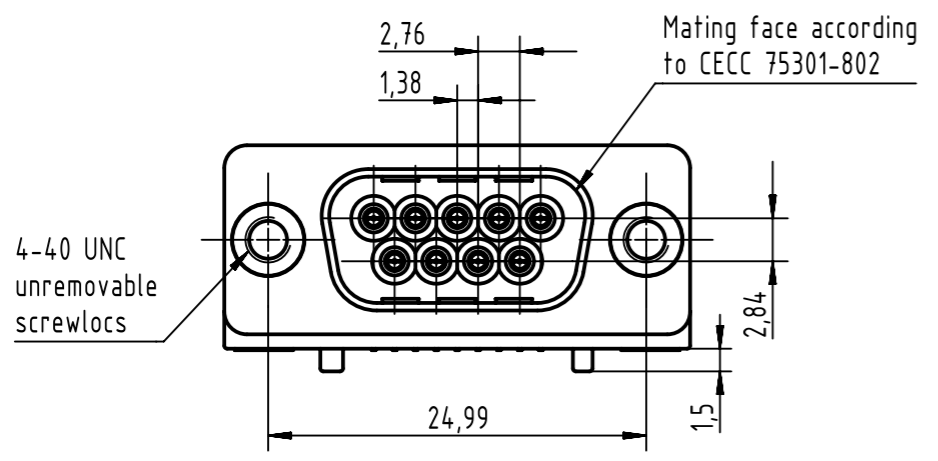
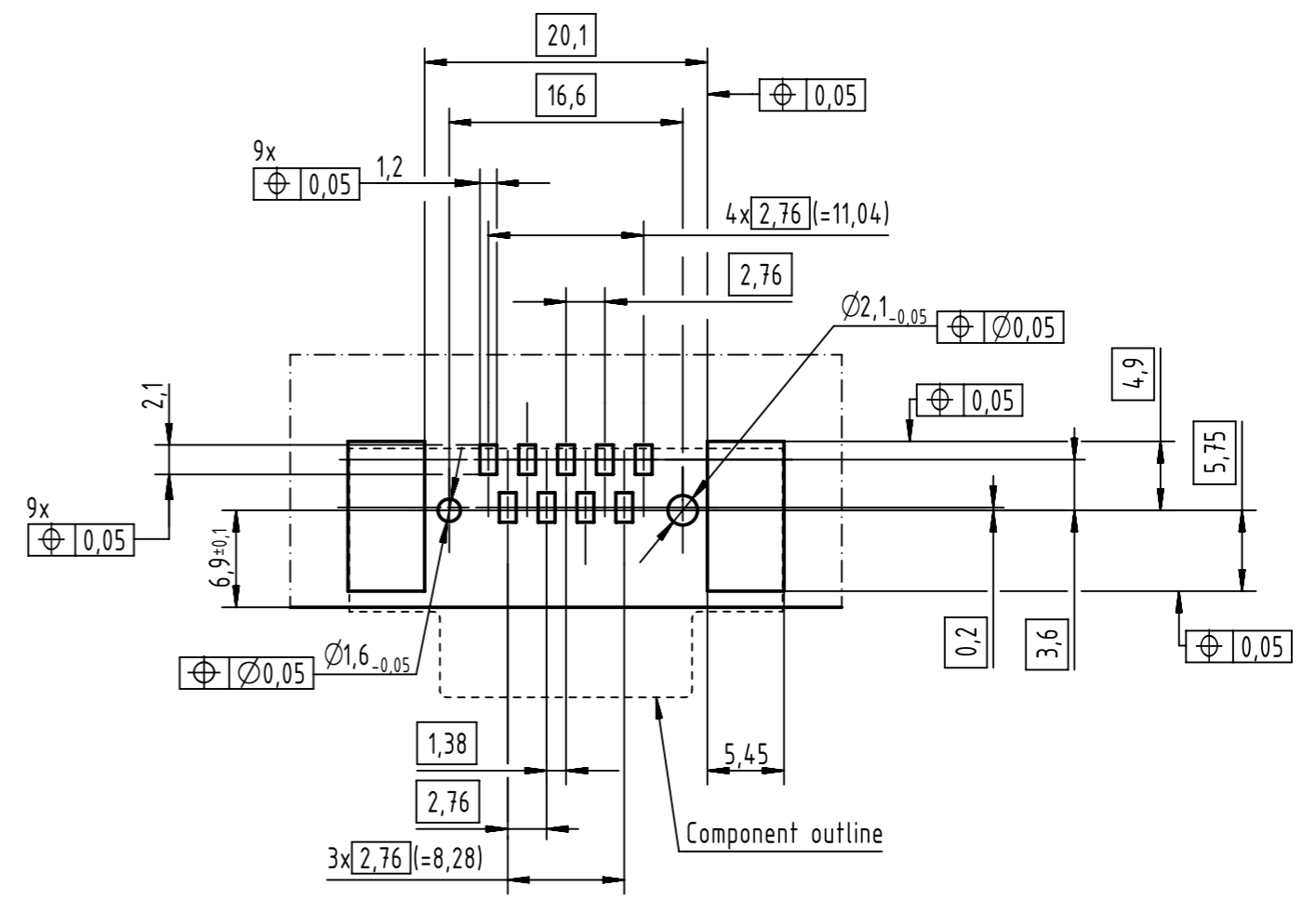


PCB layout, component side (thickness 1,6 min)



0955 166 6822 333	2	4-40 UNC	Black insulator	Samples
0955 166 3822 741	1	4-40 UNC	Black insulator	Reel Packaging (140 connectors)
0955 166 6822 741	2			
0955 166 7822 741	3			
0955 166 3821 741	1	M3	Black insulator	Reel Packaging (140 connectors)
0955 166 6821 741	2			
0955 166 7821 741	3			
Part number	PL	Thread	Index designation	

Max. Temperature: 260°C during 10 seconds  
Find further technical information on DS 09550200301

	All rights reserved Department EL PD	Created by ZHUANGJ	Inspected by LUOK	Standardisation HOFFMANN	Date 2018-11-16	State Final Release	All Dimensions in mm Original Size DIN A3	Scale 2:1	Free size tol.	Ref.
							Title <b>D-Sub angled STD 9-pole male with screwlock</b>	Type <b>TB</b>	Number <b>0955166X82X</b>	Doc-Key / ECM-Nr. 100682919/UGD/000/B 50000014.1375