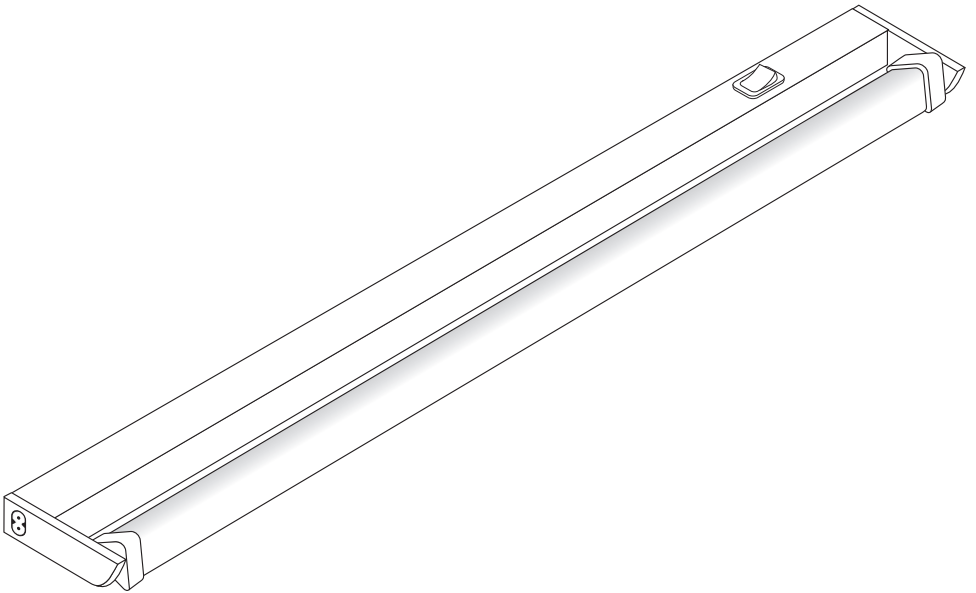
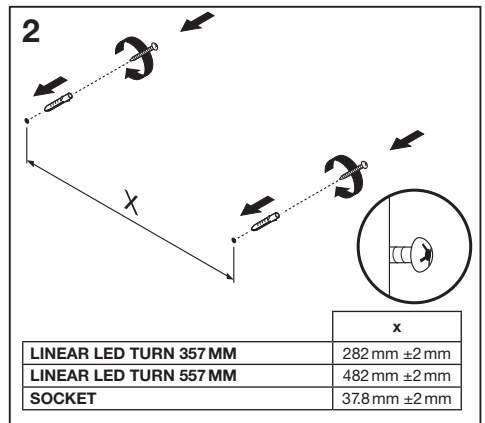
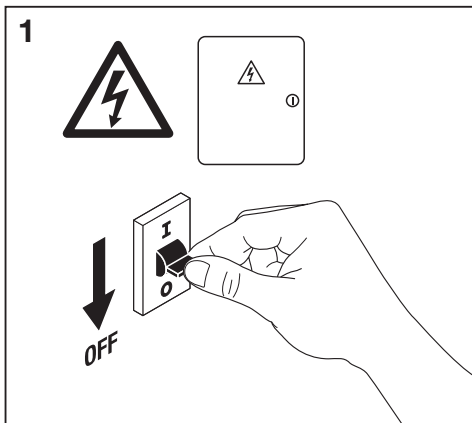
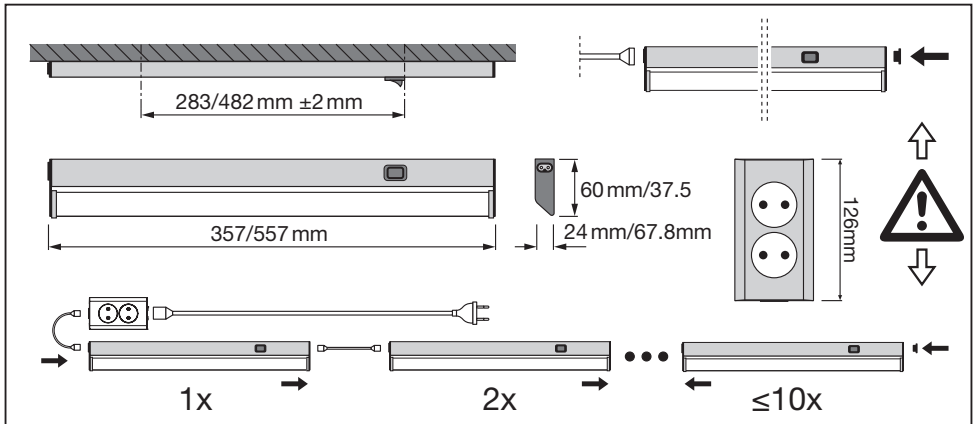
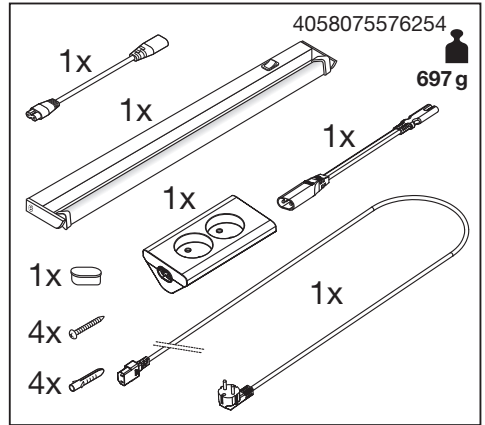
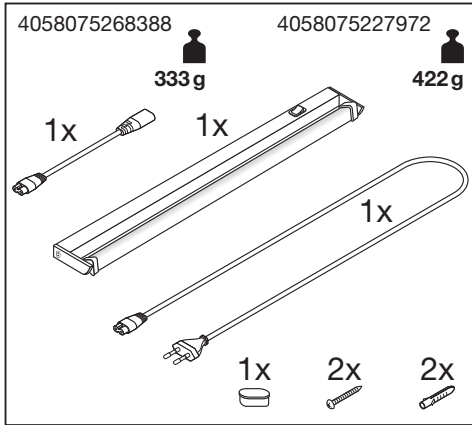
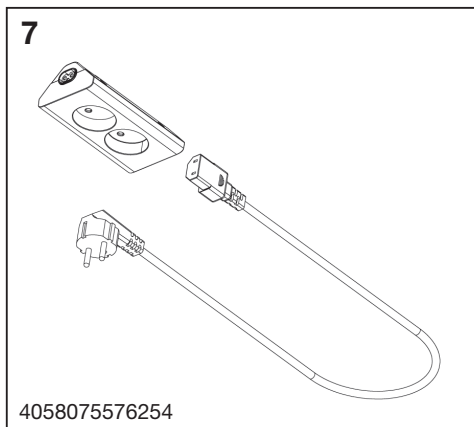
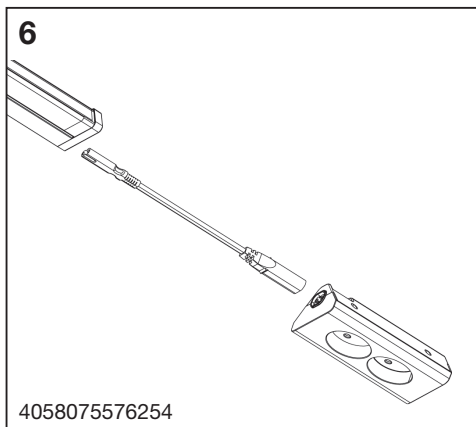
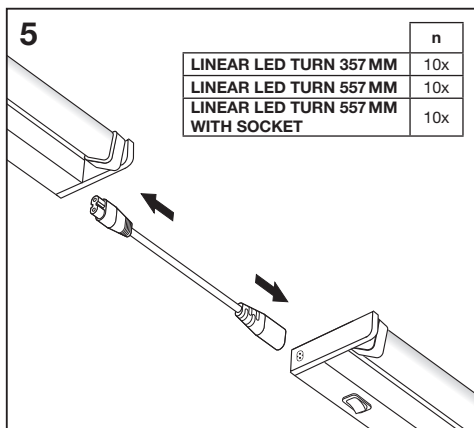
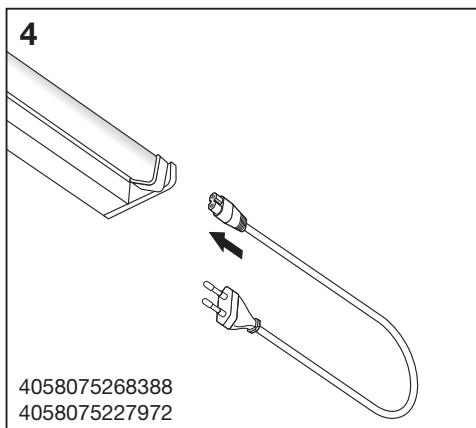
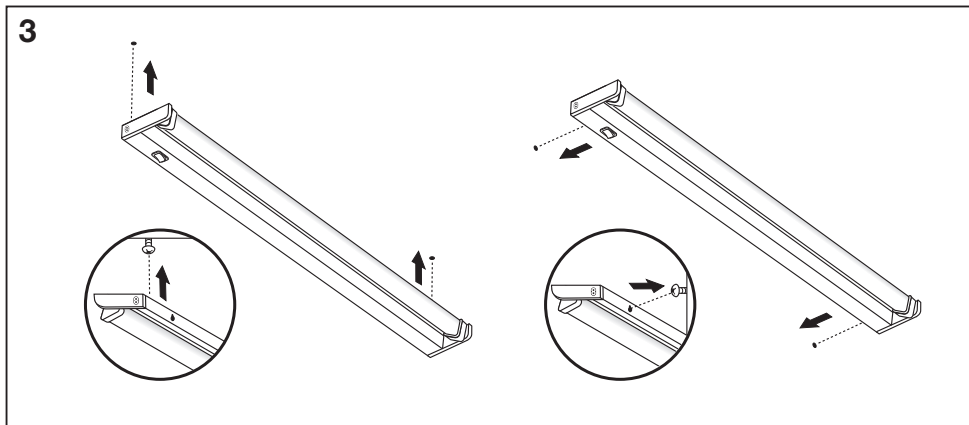

LINEAR LED TURN

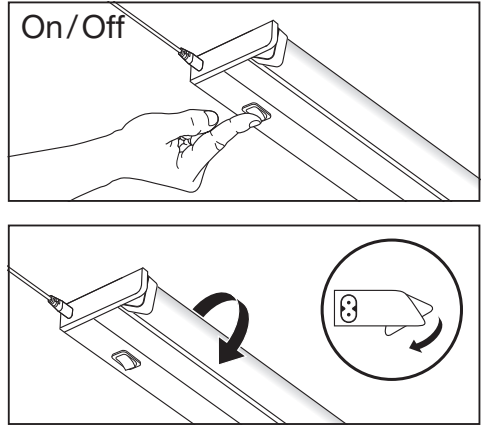
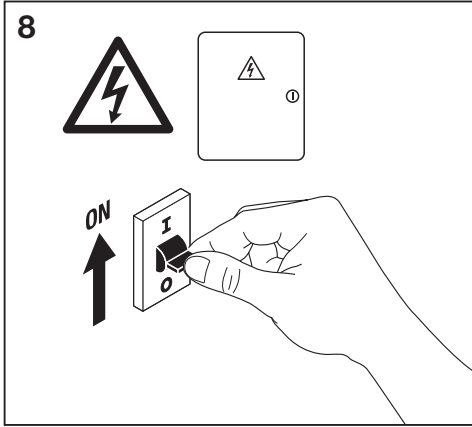





	EAN	W (Light)	W max. (Socket)	lm	K	V~	mA	Hz	DF
LINEAR LED TURN 357 MM 830	4058075268388	6	-	380	3000	220-240	30	50/60	>0.9
LINEAR LED TURN 557 MM 830	4058075227972	10	-	620	3000	220-240	48	50/60	>0.9
LINEAR LED TURN 557 MM 830 SOKEXT	4058075576254	10	2X 1000	620	3000	220-240	9000	50/60	>0.9

LINEAR LED TURN







	EAN	This product contains a light source of energy efficiency class	Contained Light Source
LINEAR LED TURN 357 MM 830	4058075268388	F	
LINEAR LED TURN 557 MM 830	4058075227972	F	
LINEAR LED TURN 557 MM 830 SOKEXT	4058075576254	F	



C10449057
G11120854
15.07.2021



LEDVANCE GmbH
Steinerne Furt 62
86167 Augsburg, Germany
www.ledvance.com