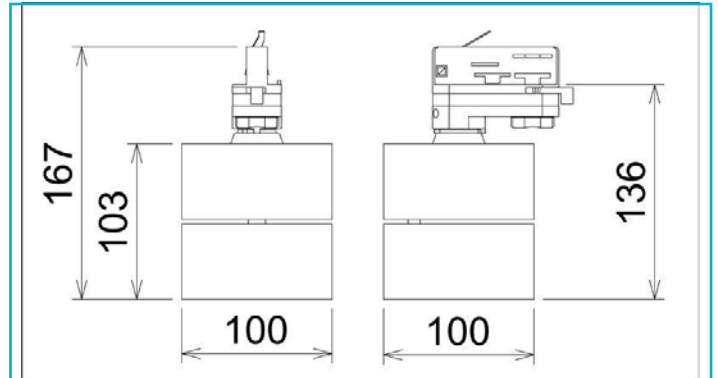


Art. no. 707044

Three-phase spotlight Uni II Tilt, 17 W, DIM, 3000 K, white

 DEKOLIGHT



Housing Material	Die-cast aluminium
Housing Color	White
Material of Lens	Plastic
Protection Class	Protection class I/protective grounding
Rated Input	17 W
Rated Input Voltage Frequency	220-240 V/AC 50 / 60 Hz
Power Supply Unit incl.	Yes
Connection Type	Adapter
Dimmable	Yes
Control technology	Leading-edge dimmer, Trailing-edge dimmer
Motion Detector	No
Light Source	LED, Light source not changeable
Lightcolor	Warm white (WW)
Color Temperature	3000 K
Colour Consistency	6 SDCM
Colour Rendering Index (Ra)	90
Rated Luminous Flux	910 lm
Luminous Efficiency	53.5 lm/W
Rated Angle of Reflection	36 Degree
Light Distribution	Symmetric
Distribution Characteristic 120°	DLS
Swivel Angle	90 Degree
Light Exit Surfaces	1
Light characteristics	Direct
Light direction	Below
Height	167 mm
Diameter	100 mm
Product weight	852 g
Working Temperature	-5 to 40 °C

Storage Temperature	-20 to 50 °C
IP Protection Class	IP 20
Life Time L70 / B50	20000 h
Switching Cycles	15000
Power Consumption	17 kWh/1000h
Energy Efficiency Class	G